



Have a Question?
 Chat with a Product Information Specialist

What can we help you find?

- [Products](#)
- [Industries](#)
- [Resources](#)
- [About TE](#)
- [My Account](#)
- [Innovation](#)
- [Support Center](#)

750338-1 Product Details

- [Share](#)
- [Print](#)
- [Email](#)



750338-1

TE Internal Number: 750338-1

✔ Active

[View 3D PDF](#)

Shielded Miniature Circular DIN Connectors

✔ 5 of 6 EU RoHS/ELV Compliant ([Find RoHS Compliant Alternates/Statement of Compliance](#))

Product Highlights:

- Connector
- Mini DIN Connector Configuration
- 8 Positions
- PCB Mounting Orientation = Vertical
- Shielded

[View all Features](#)

Quick Links

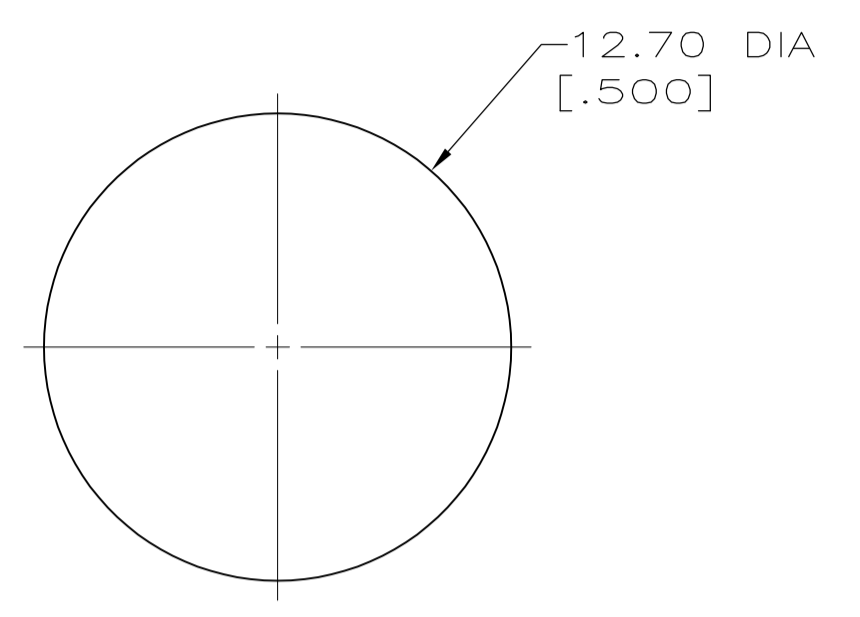
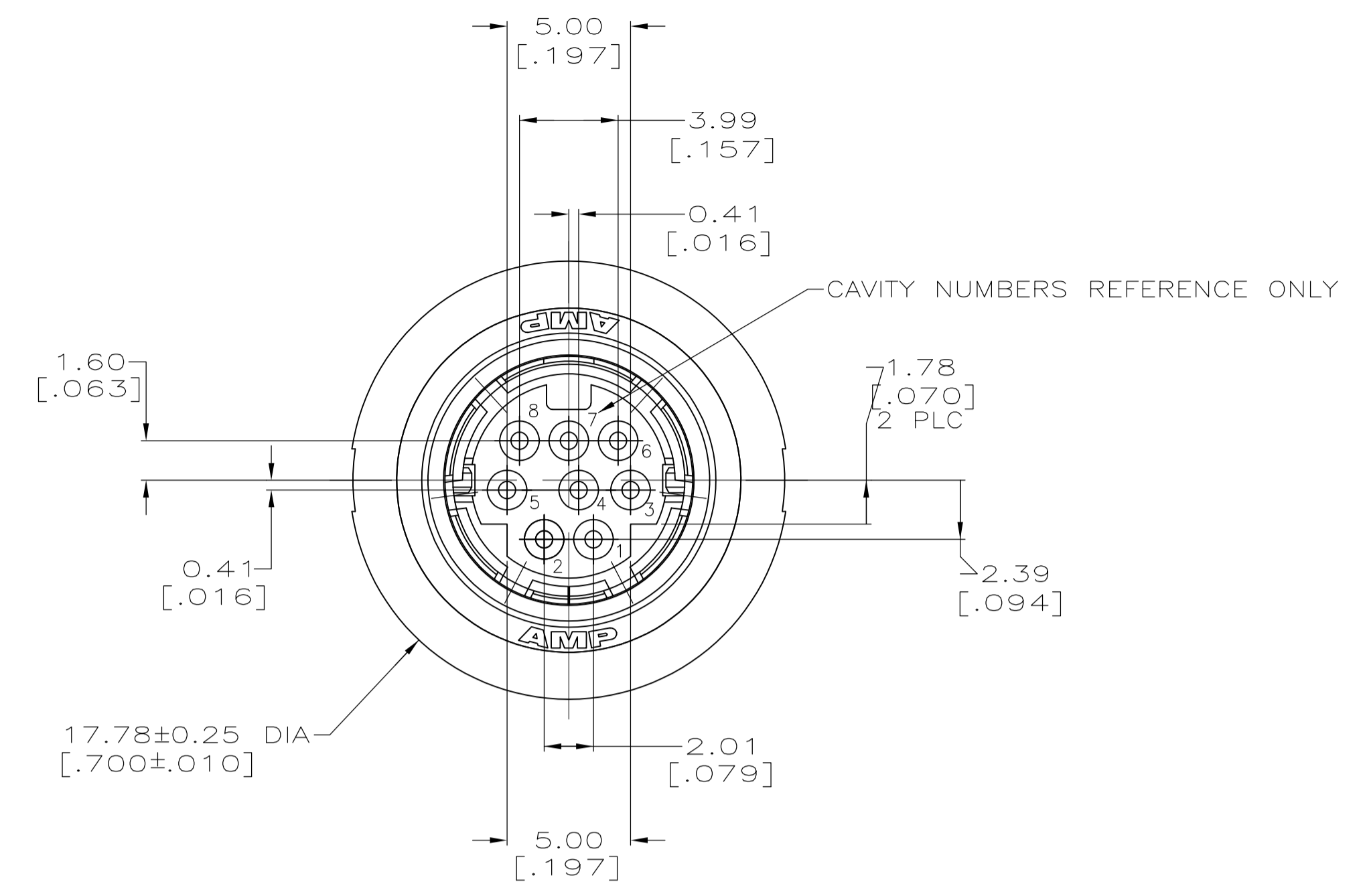
- [▶ Pricing & Availability](#)
- [▶ Search for Tooling](#)
- [▶ Product Feature Selector](#)
- [▶ Contact Us About This Product](#)

- [Add to My Part List](#)
- [Request Sample](#)
- [Find Similar Products](#)
- [Buy Product](#)

Documentation & Additional Information	
<p>Product Drawings:</p> <ul style="list-style-type: none"> RECEPTACLE ASSEMBLY, 8 POSN, LOW FLANGE, SHIELDED, V... (PDF, English) <p>Catalog Pages/Data Sheets:</p> <ul style="list-style-type: none"> None Available <p>Product Specifications:</p> <ul style="list-style-type: none"> Connector, Shielded, Miniature Circular DIN, PCB Mounted (PDF, English) <p>Application Specifications:</p> <ul style="list-style-type: none"> Miniature Circular DIN Shielded Receptacle Connectors (PDF, English) <p>Instruction Sheets:</p> <ul style="list-style-type: none"> None Available <p>CAD Files: (CAD Format & Compression Information)</p> <ul style="list-style-type: none"> 2D Drawing (DXF, Version C) 3D Model (IGES, Version C) 3D Model (STEP, Version C) 	<p>Additional Information:</p> <ul style="list-style-type: none"> Product Line Information <p>Related Products:</p> <ul style="list-style-type: none"> Tooling
List all Documents	

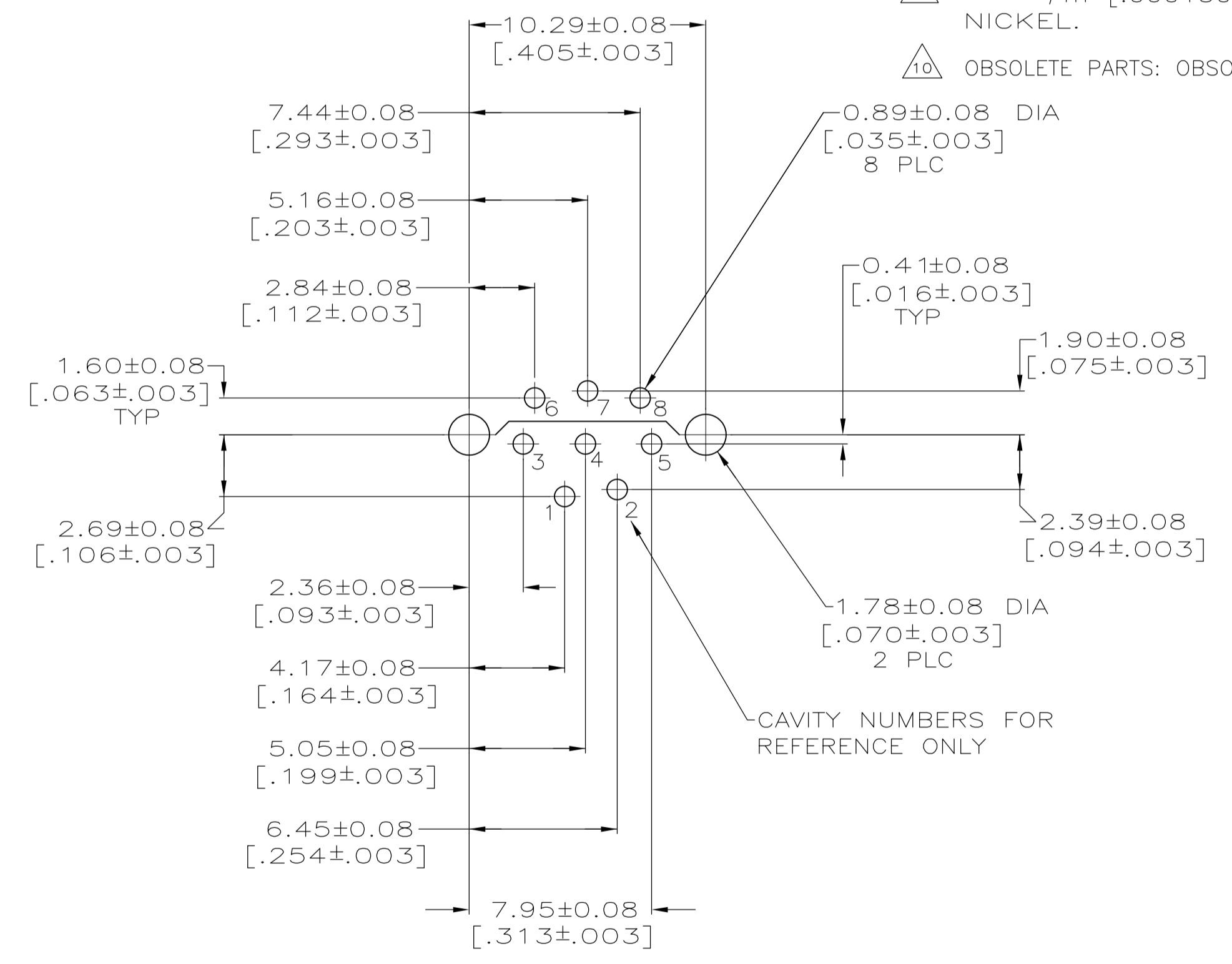
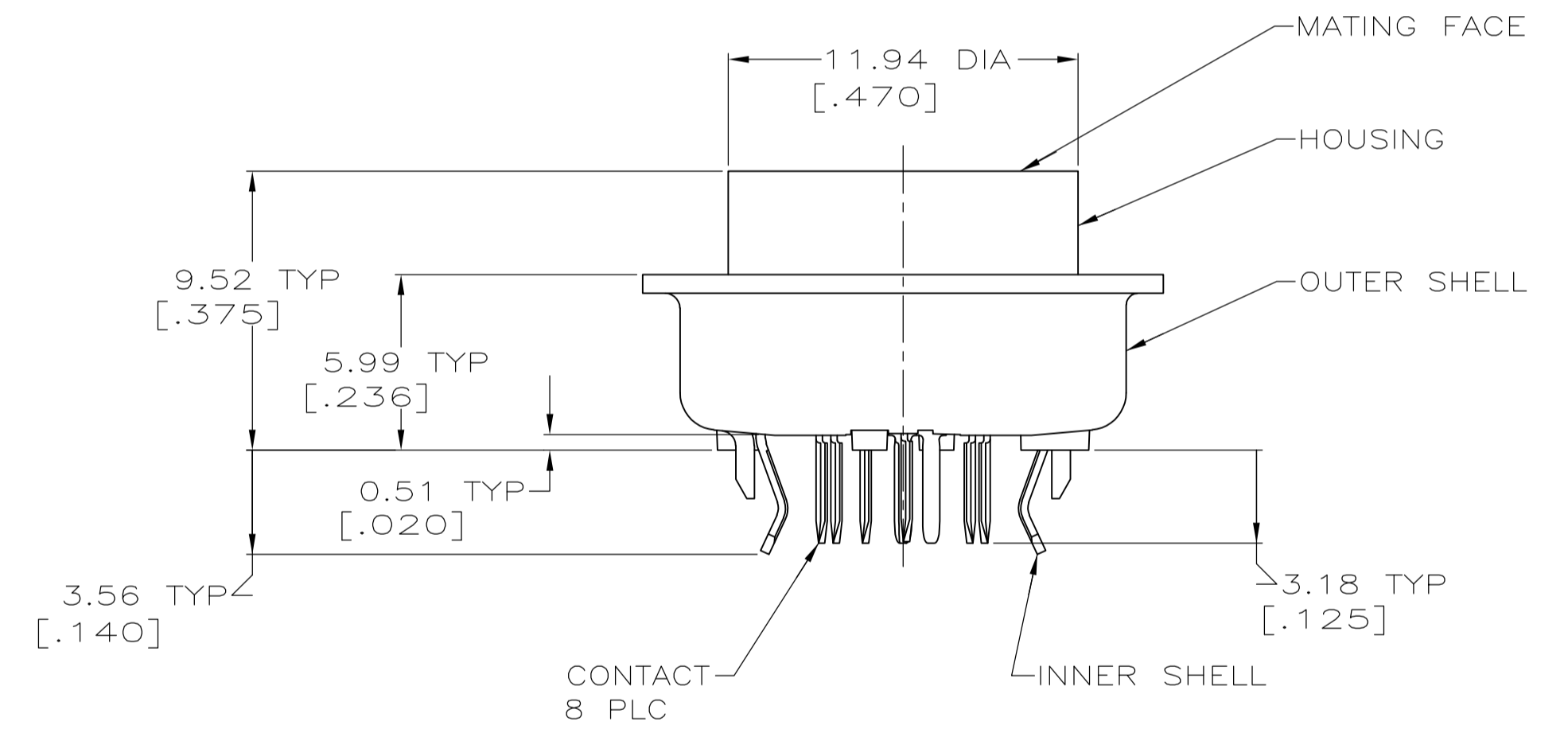
Product Features (Please use the Product Drawing for all design activity)	
<p>Product Type Features:</p> <ul style="list-style-type: none"> Product Type = Connector PCB Mounting Orientation = Vertical Front Panel Grounding = Without Front Panel Screw-Down = Without PCB Mount Retention = Without Gender = Receptacle Color Code = None PCB Mount Style = Through Hole <p>Termination Features:</p> <ul style="list-style-type: none"> Grounding Clips = Without <p>Body Features:</p> <ul style="list-style-type: none"> Inner Shield Material = Copper Alloy Inner Shield Plating = Tin-lead over Nickel Outer Shield Material = Copper Alloy Outer Shield Plating = Tin-Lead over Copper <p>Contact Features:</p> <ul style="list-style-type: none"> Contact Plating, Mating Area, Material = Gold (15) Contact Base Material = Copper Alloy Solder Tail Contact Plating = Tin-Lead Underplate Material = Nickel 	<p>Housing Features:</p> <ul style="list-style-type: none"> Housing Material = Thermoplastic - GF UL Flammability Rating = UL 94V-0 Housing Color = Black <p>Configuration Features:</p> <ul style="list-style-type: none"> Connector Configuration = Mini DIN Number of Positions = 8 Shielded = Yes SPDIF Connector = Without Stacked = No <p>Industry Standards:</p> <ul style="list-style-type: none"> RoHS/ELV Compliance = ELV compliant, 5 of 6 Compliant Lead Free Solder Processes = Wave solder capable to 240°C, Wave solder capable to 260°C, Wave solder capable to 265°C <p>Other:</p> <ul style="list-style-type: none"> Brand = AMP

LOC		DIST		REVISIONS				
GP	00	P	F	ZONE	LTR	DESCRIPTION	DATE	APPD
				C1		REVISED PER ECO-09-023313	30DEC09	AEG
				C		REV PER EC OS13-0177-03	05/25/03	CR

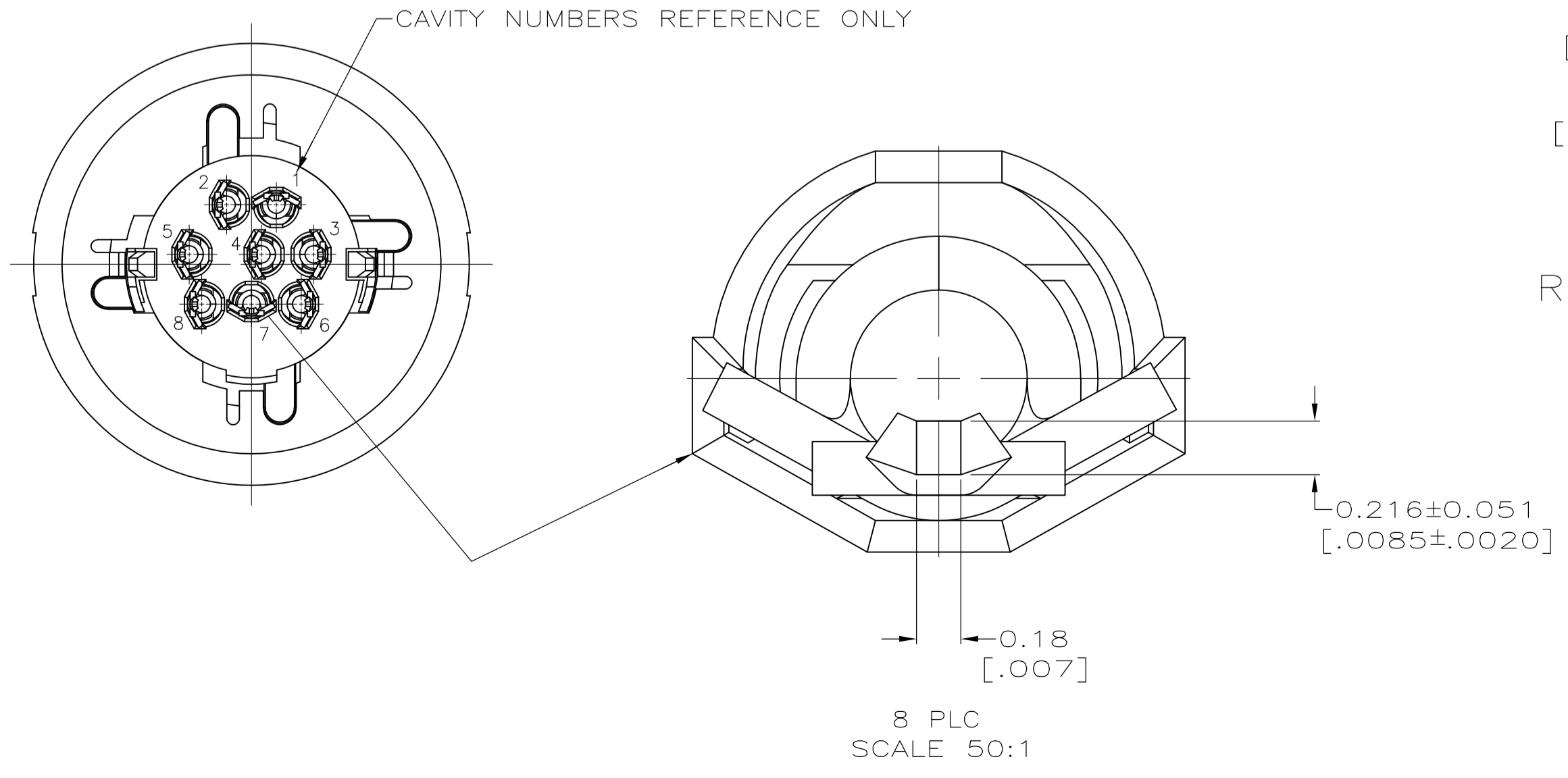


RECOMMENDED PANEL CUT-OUT

- ① SHELLS: BRASS; CONTACTS: PHOSPHOR BRONZE; HOUSING: POLYESTER, UL 94V-0 RATED, BLACK.
- ② 0.76 μm [.000030] MIN GOLD ON MATING END FOR A LENGTH OF 1.37 [.054] MIN ON INSIDE, 2.54 μm [.000100] MIN TIN-LEAD FOR A LENGTH OF 3.30 [.130] MIN FROM OPPOSITE END, ALL OVER 1.27 μm [.000050] MIN NICKEL.
- ③ 0.38 μm [.000015] MIN GOLD ON MATING END FOR A LENGTH OF 1.37 [.054] MIN ON INSIDE, 2.54 μm [.000100] MIN TIN-LEAD FOR A LENGTH OF 3.30 [.130] MIN FROM OPPOSITE END, ALL OVER 1.27 μm [.000050] MIN NICKEL.
- ④ 2.54 μm [.000100] MIN TIN-LEAD OVER 1.27 μm [.000050] MIN NICKEL.
- ⑤ GOLD PLATING PER MIL-G-45204, TIN PLATING PER MIL-T-10727, NICKEL PLATING PER QQ-N-290, COPPER PLATING PER MIL-C-14550.
- ⑥ RECEPTACLE ASSEMBLY MATES WITH 8 PIN, 8.99±0.10 [.354±.004] DIAMETER PLUG.
- ⑦ 3.81 μm [.000150] MIN TIN-LEAD OVER 1.27 μm [.000050] MIN NICKEL.
- ⑧ 2.54 μm [.000100] MIN TIN OVER 1.27 μm [.000050] MIN NICKEL.
- ⑨ 3.81 μm [.000150] MIN TIN OVER 1.27 μm [.000050] MIN NICKEL.
- ⑩ OBSOLETE PARTS: OBSOLETE CIS STREAMLINING PER D.RENAUD/D.SINISI



RECOMMENDED PC BOARD LAYOUT
BOTTOM VIEW



⑩	OBSOLETE	⑨	⑧	⑦	⑤	④	③	②	750338-3
	OBSOLETE	⑥	⑤	④	③	②	①		750338-2
		⑧	⑦	⑥	⑤	④	③	②	750338-1
									PART NO

DO NOT SCALE PRINT. UNLESS SPECIFIED DIMENSIONS IN mm [INCHES] TOLERANCES - ON : 2 PLC DEC ± 0.13 [.005] 3 PLC DEC ± - ANGLES ± -	DR 8-4-90 J McCLINTON CHK 9-5-90 R STONE APPD 9-5-90 R WHYNE APPD 9-10-90 J FULPONI	AMP AMP Incorporated Harrisburg, PA 17105-3608		
MATERIAL	①	NAME	RECEPTACLE ASSEMBLY, 8 POSN, LOW FLANGE, SHIELDED, VERTICAL, MINIATURE CIRCULAR DIN	
FINISH	SEE TABLE	APPLICATION SPEC	SIZE	D 00779
WEIGHT	-	PRODUCT SPEC	CAGE CODE	750338
			DRAWING NO	750338
			SCALE	5:1
			SHEET	1 OF 1