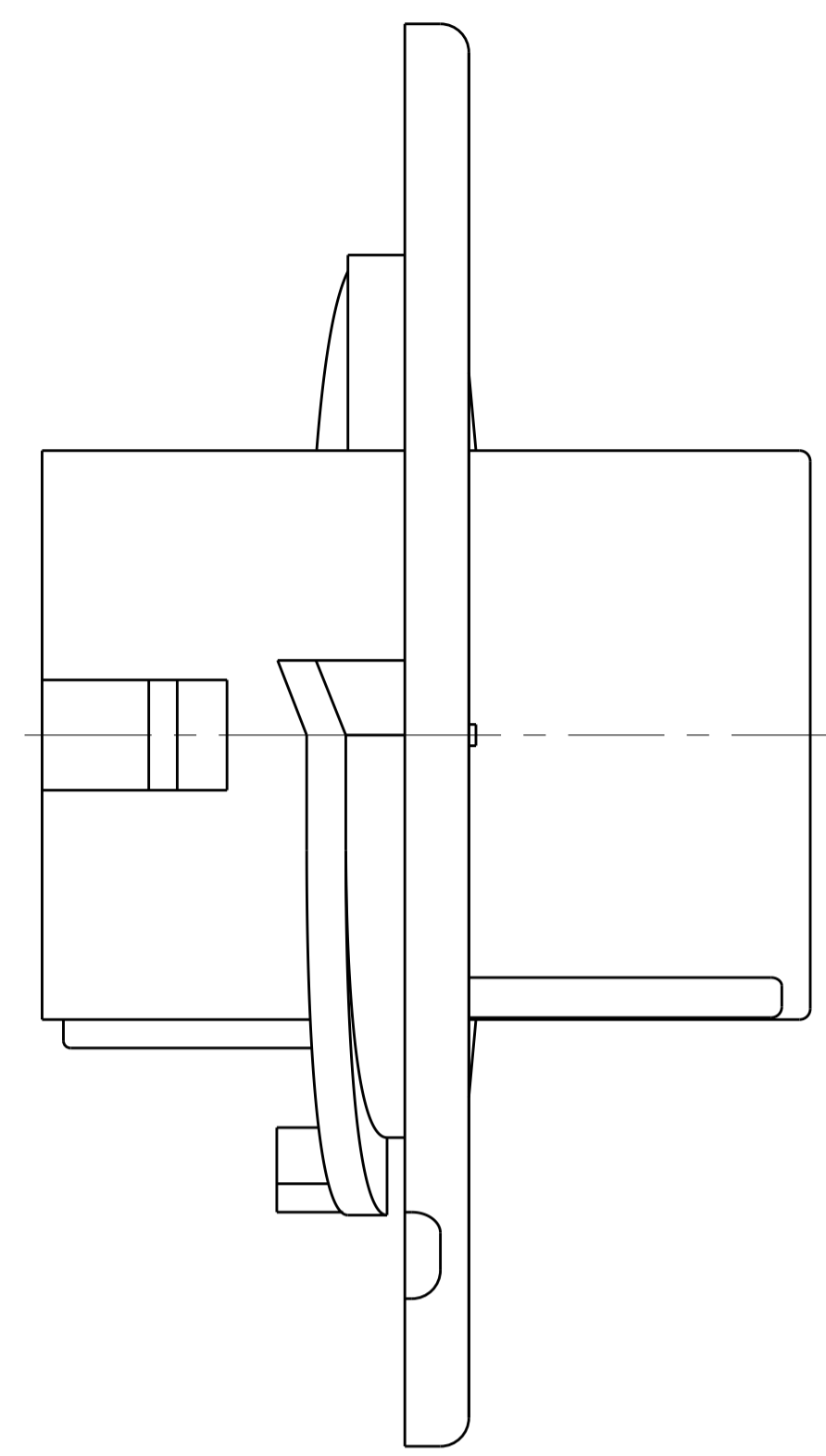
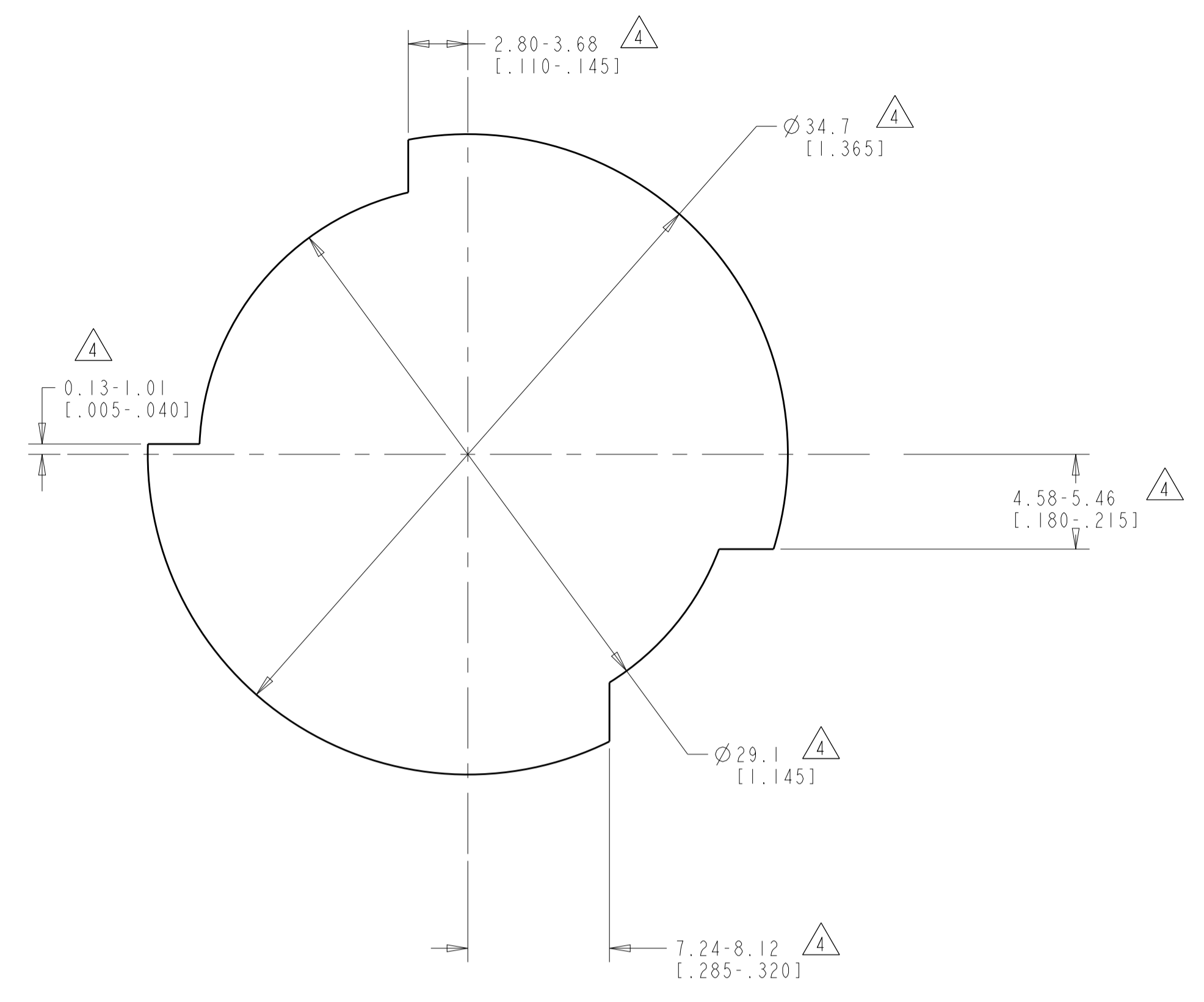
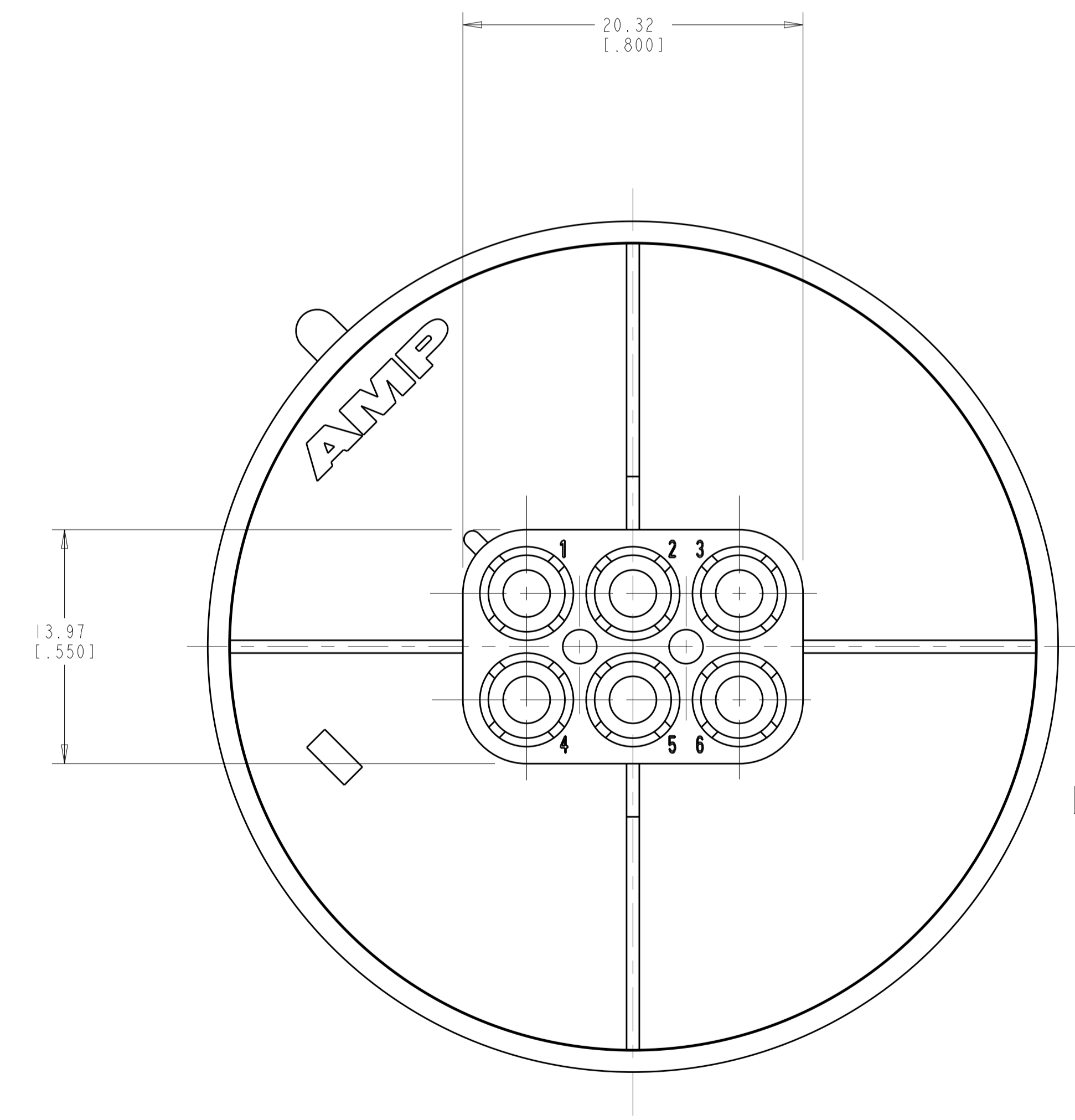
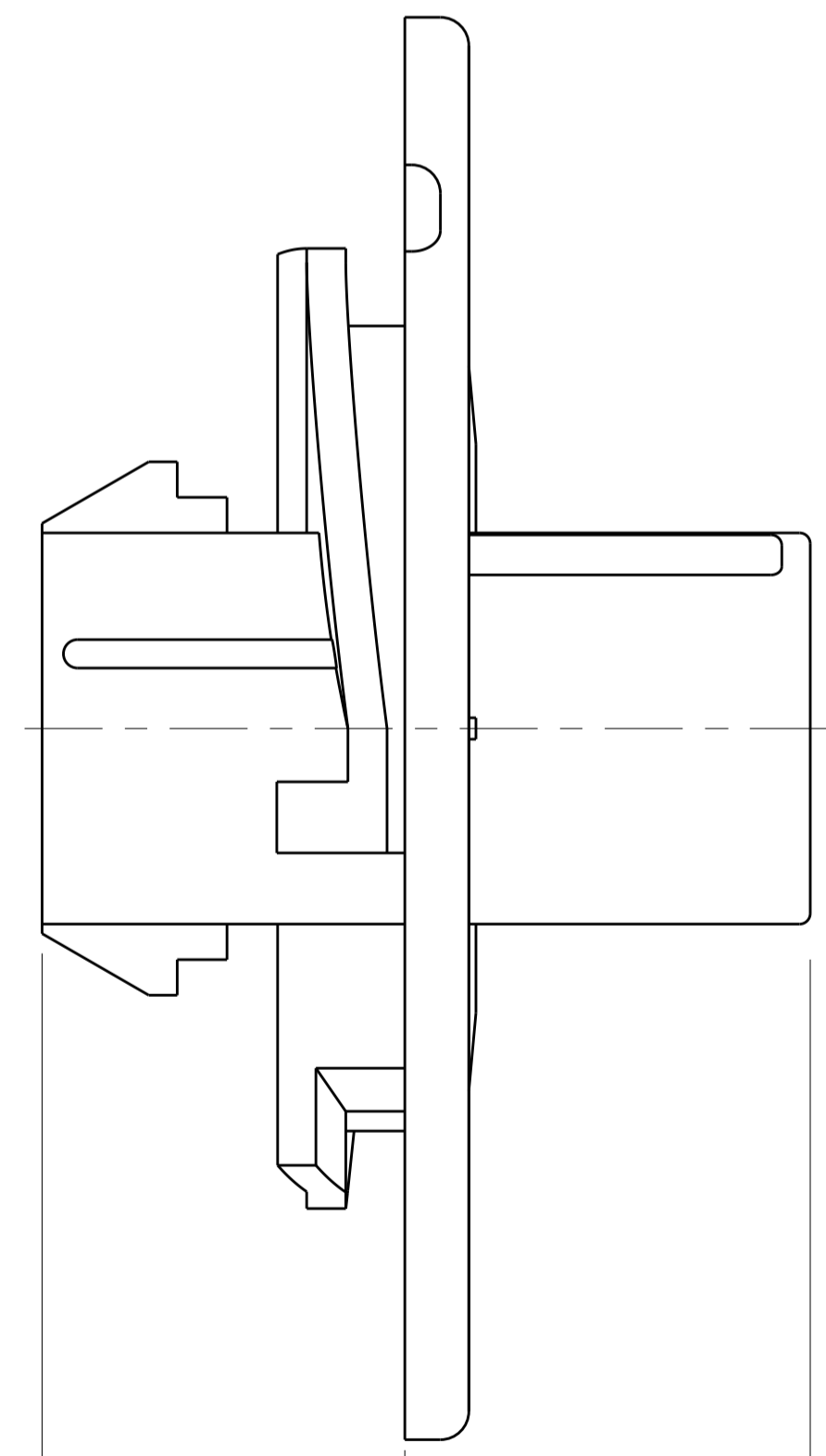
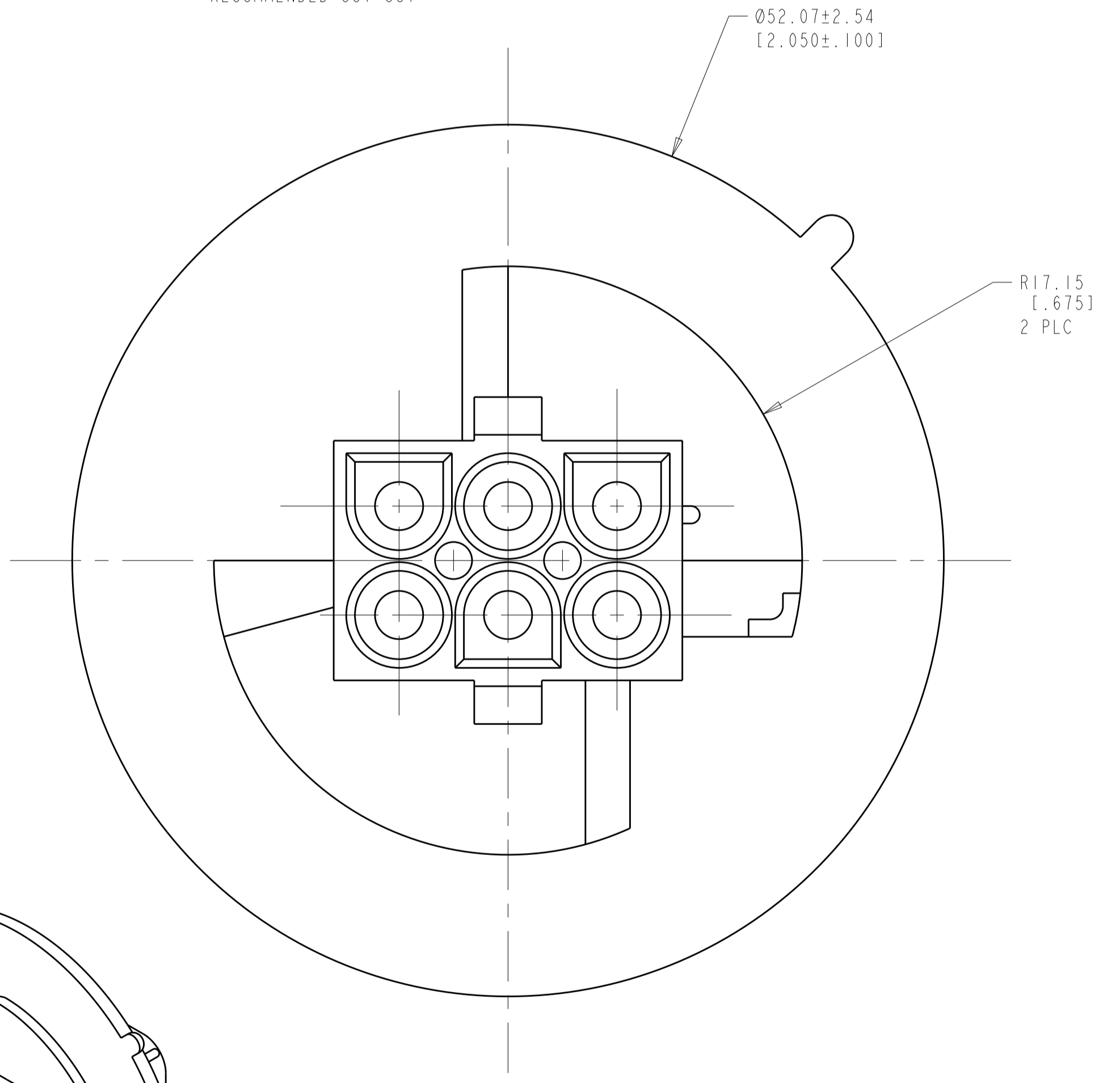


LOC	DIST	REVISIONS			
P	LTN	DESCRIPTION	DATE	DWN	APVD
L		REVISED PER ECR-10-022954	03MAR2011	HMR	TM
L1		REVISED PER ECR-14-001377	14APR2015	AV	DZ

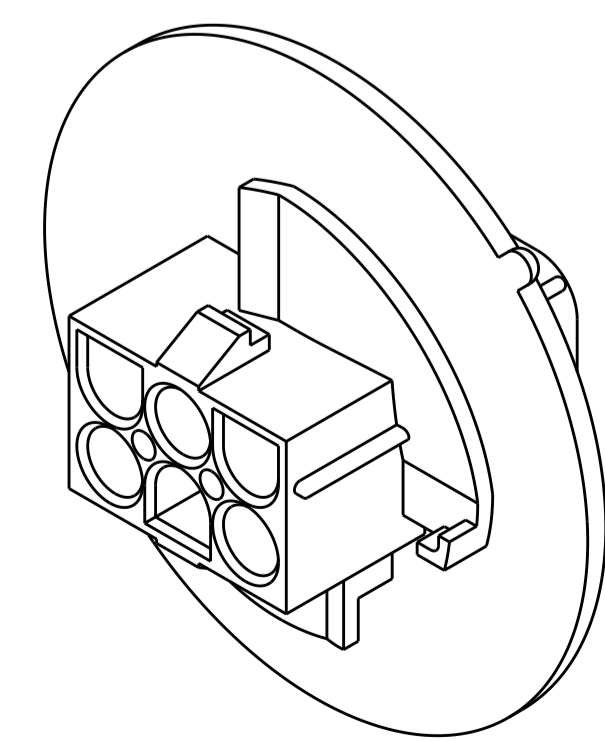


- MATES WITH APPROPRIATE UNIVERSAL MATE-N-LOK™ PLUG.
 - RECOMMENDED PANEL THICKNESS 0.76 - 2.29 [.030 - .090].
 - PANEL MUST BE PUNCHED SO THAT THE HOUSING ENTERS THE PANEL IN THE SAME DIRECTION AS THE PUNCH.
- ⚠ DIMENSIONS INDICATED ARE REFERENCE. ADDITIONAL GROWTH DUE TO SUBSEQUENT MOISTURE ABSORPTION MAY OCCUR.
4. NOTE DELETED.

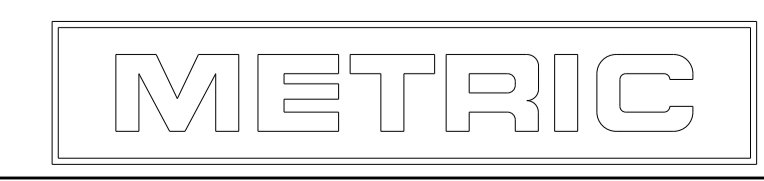
RECOMMENDED CUT OUT



SUPERSEDED BY 1586887-1	NATURAL	9-794714-0
	BLACK	1-794714-9
	GRAY	1-794714-8
	BLUE	1-794714-6
	GREEN	1-794714-5
SUPERSEDED BY 794714-3	YELLOW	1-794714-4
	ORANGE	1-794714-3
	RED	1-794714-2
	BROWN	1-794714-1
	RED	794714-3
	NATURAL	794714-1
	COLOR	PART NUMBER



3-DIMENSIONAL MODEL
SCALE 2:1



THIS DRAWING IS A CONTROLLED DOCUMENT.

DIMENSIONS: mm [INCHES]

TOLERANCES UNLESS OTHERWISE SPECIFIED:

0 PLC	±
1 PLC	±
2 PLC	±0.511(.020)
3 PLC	±
4 PLC	±
ANGLES	±40° 30'

MATERIAL: NYLON
UL 94V-2, NATURAL

FINISH: -

DATE: 06-OCT-1999
 CHK: R. WHITAKER
 M. TRULL
 APVD: M. TRULL

NAME: CAP. 6 CIRCUIT, UNIVERSAL MATE-N-LOK(TM), SPECIAL

SIZE: A1
 CAGE CODE: 00779
 DRAWING NO: 794714

CUSTOMER DRAWING

SCALE: 4:1 SHEET: 1 OF 1 REV: 1

STE TE Connectivity