

◆ Home > 6103232120F

Part Number: **6103232120F**

General Description

Color	 Green
Series	610
Description	Green LED 10mm Mounting Hole Indicator
Housing	Polycarbonate
Lamp Type	Single Color
Mounting Method	Lock Washer and Nut
Compliance	Front of Panel
Termination	Solder Blade
Mounting Hole Size	.406"
Panel Thickness	.236"
Lens Style	Round
Lens Material	Polycarbonate
Luminous Intensity Typical	110
Forward Current mA	15 mA
Voltage	2 VDC
Operating Temperature	-25 +85
Storage Temperature	-25 +100



610 Series LED Panel Mount Indicators for 10mm Mounting Hole



FEATURES / BENEFITS

- ▲ RoHS compliant
- ▲ Long Life - typically 100K hours
- ▲ Low power consumption - uses up to 90% less energy than an incandescent indicator
- ▲ No heat generated
- ▲ Colors include red, green and yellow
- ▲ Front panel mounting
- ▲ Round or square lens shape

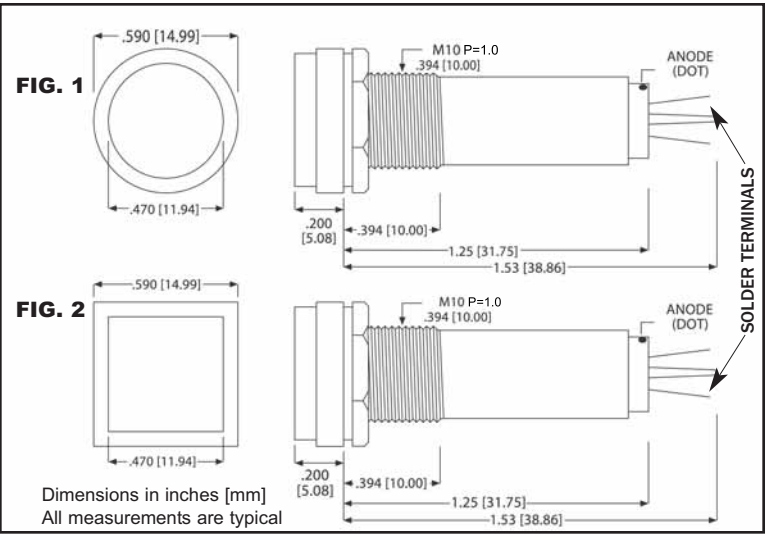
APPLICATIONS

Dialight's 600 series of metric indicators are designed for a variety of applications such as:

- Main and remote power indication
- Status Indication
- Maintenance and warning indication
- Instrumentation
- ...and many more!

SPECIFICATIONS

- ▲ Voltage requirements: 6 VDC
(No current resistor required)
- ▲ Electrical connection through solder terminals
- ▲ Mounting hole size: 0.406 inches (10.3 mm)
- ▲ Maximum panel thickness: 0.236 inches (6 mm)
- ▲ Mounts with lock washer and nut
(0.217 lbs/ft or 3 Kg/cm torque recommended)
- ▲ Operating Temperature : -25°C to +85°C
- ▲ Storage Temperature: -25°C to +100°C
- ▲ Housing Material: Polycarbonate
- ▲ Lens Material: Polycarbonate to match emitting color



Part Number	Color	Voltage (VDC)	Current (mA)	Intensity TYP. (mcd)	Lens Shape	Housing	Figure	RoHS Compliant
610-3132-120F	Red	6	15	60	Round	Polycarbonate	1	✓
610-3232-120F	Green	6	15	110	Round	Polycarbonate	1	✓
610-3332-120F	Yellow	6	15	90	Round	Polycarbonate	1	✓
610-4132-120F	Red	6	15	60	Square	Polycarbonate	2	✓
610-4232-120F	Green	6	15	110	Square	Polycarbonate	2	✓
610-4332-120F	Yellow	6	15	90	Square	Polycarbonate	2	✓

Dialight reserves the right to make changes at any time in order to supply the best product possible.

Dialight Corporation

