


Home > 8601R01002

Part Number: **8601R01002**

### General Description

Color	 Red
Series	860
Configuration	Dual Unit
Description	Red LED Obstruction Light, FAA, 120VAC
Features	Can be operated steady or flashed
Compliance	ICAO
Certified To	FAA, CAR 621.9
Lens Material	Cast Aluminum Housing and Stainless Steel Hardware
Voltage	120 VAC
Operating Temperature	-55 +55



# Dialight

## 860 SERIES LED OBSTRUCTION LIGHT



**Certified to:** FAA AC NO: 150/5345-43F  
Canadian Aviation Regulation CAR 621.19  
(Transport Canada)

**Compliant to:** ICAO  
(Annex 14 - Fourth Edition, July 2004 )

### FEATURES / BENEFITS

- ▲ Available as a single or dual unit
- ▲ Available in 12VDC, 24VDC, 48VDC, 120VAC, and 220VAC versions (50 or 60HZ)
- ▲ Earth grounding provisions provided
- ▲ Unique optically designed lens to enhance LED operation and provide 360° visibility
- ▲ State-of-the-art high-flux LED technology
- ▲ Lasts years longer than an incandescent
- ▲ Weather/corrosion resistant lamp assembly and housing
- ▲ Self-contained wiring compartment eliminates additional boxes
- ▲ Threaded 1" and 3/4" bottom hub for mounting
- ▲ Can be operated steady or flashed (controller not supplied)
- ▲ 5 year warranty
- ▲ Resistant to shock and vibration
- ▲ IP 65 / IP 66 / NEMA 4X rated

US PATENT# 6,425,678



### APPLICATION

- ▲ The Dialight 860 series is the FAA type L810 red LED obstruction light. Designed for steady burning, this fixture is used to mark any obstacle that may present hazards to aircraft navigation. The US patent office has issued patent number 6,425,678 B1 for this series.

### OPERATING CONDITIONS

- ▲ Temperature: -67°F to +131°F (-55°C to +55°C)

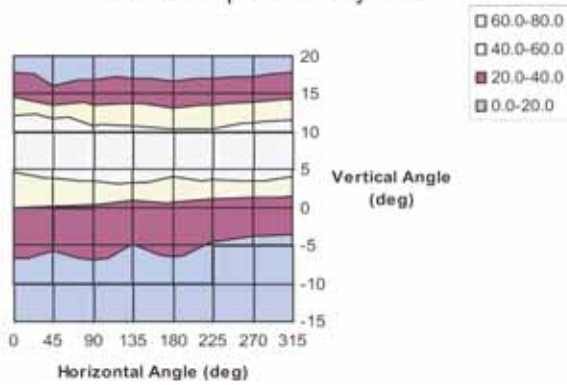
### FINISH

- ▲ Cast Aluminum
- ▲ Stainless Steel Hardware

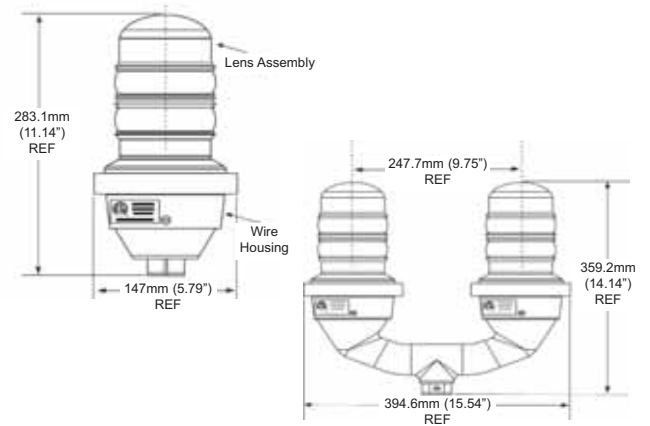


## PHOTOMETRIC DATA

L810 Isotropic Intensity Chart



## MECHANICAL DIMENSIONS



## ORDERING INFORMATION

### Single Units Part Number

### Volts

860-1R01-001*	120 VAC
860-6R01-001**	120 VAC
860-1R02-001	220 VAC
860-1R03-001*	12 VDC
860-3R03-001 (Low wattage)	12 VDC
860-1R05-001*	24 VDC
860-6R05-001**	24 VDC
860-1R04-001*	48 VDC

### Replacement Light Assemblies Part Number

### Volts

860-1R01	120 VAC
860-6R01**	120 VAC
860-1R02	220 VAC
860-1R03	12 VDC
860-3R03 (Low wattage)	12 VDC
860-1R05	24 VDC
860-6R05**	24 VDC
860-1R04	48 VDC

### Dual Units Part Number

### Volts

860-1R01-002*	120 VAC
860-6R01-002**	120 VAC
860-1R02-002	220 VAC
860-1R03-002*	12 VDC
860-3R03-002 (Low wattage)	12 VDC
860-1R05-002*	24 VDC
860-6R05-002**	24 VDC
860-1R04-002*	48 VDC

\* FAA approved  
\*\* Canadian Spec

## WEIGHTS & MEASUREMENTS

PART NUMBER	APPROX. SHIPPING WEIGHT	CONTAINER DIMENSIONS
Single Unit	7.14 lbs	16" x 9" x 8"
Dual Unit	16.06 lbs	22" x 17" x 9"

## ELECTRICAL SPECIFICATIONS

	PF	VA	OPERATING VOLTAGE			WATTS (W)			AMPS
			Min	Typ	Max	Min	Typ	Max	
120VAC UNITS	.3	46.5	92	120	132	10	14.5	17.5	120mA
220VAC UNITS (60Hz)	.17	72	198	220	264	11	14.5	17.5	120mA
220VAC UNITS (50Hz)	-	-	198	220	264	12	14	17	-
12VDC UNITS (STANDARD)	-	-	10	12	14	20	24.5	29	2.0 A
12VDC UNITS (LOW WATTAGE)	-	-	10	12	14	7.0	7.50	8.8	.62 A
24VDC UNITS	-	-	21	24	27	17	22	29	920mA
48VDC UNITS	-	-	43	48	53	11	13.5	16	275mA

