

5

4

3

2

1

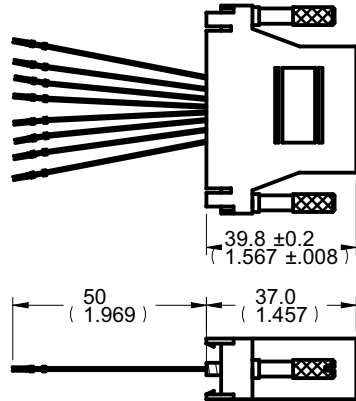
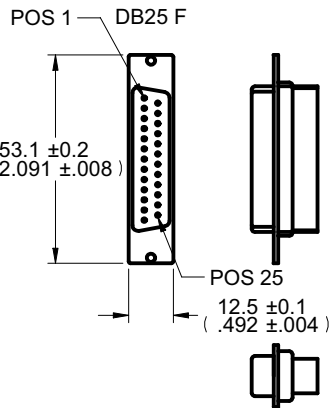
DRAWING NO. 40-9588F-CUST	
REVISIONS	
01	OFFICIAL RELEASE 2009.09.0
	08-10-09 Betty 08-26-22 +08'00'



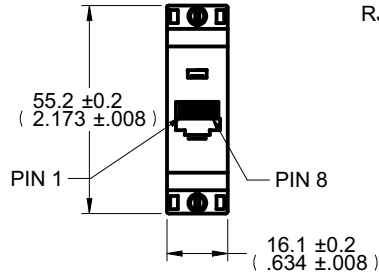
Description: Mod adptr kit, DB25F-RJ45, grey
 Part No: 40-9588F
 Application: Adapter
 Crimp Tool: N/A
 Impedance: N/A
 Frequency Range: N/A
 Material: Wire UL1061 26AWG
 Jack RJ45 8P8C
 DB25 Female
 Shell ABS
 Screw #4-40 UNC
 Terminal Female phosphor bronze

RoHS Compliance: Yes
 Technical Detail: N/A

受控 CONTROLLED DOCUMENT					
编号 P/N	40-9588F-CUST	版本 Rev	01	日期 Rel'd Date	SEP 14,09



- RJ45 JACK COLOR CODE
- 1 - BLUE
 - 2 - ORANGE
 - 3 - BLACK
 - 4 - RED
 - 5 - GREEN
 - 6 - YELLOW
 - 7 - BROWN
 - 8 - WHITE



CUSTOMER COPY

D

C

B

A

D

C

B

A

TOLERANCE UNLESS OTHERWISE SPECIFIED		DRAWN BY JEAN.JIN	DATE 08-10-09
DECIMALS	mm	CHECKED BY TERRY.W	DATE 08-10-09
X	± 5	APPROVED BY THOMAS	DATE 08-10-09
X.X	± 0.3	U/M	mm
X.XX	± 0.1		
ANGLES	± 0.5°		

		Connectivity Solutions	
TITLE MOD ADPTR KIT, DB25F-RJ45, GREY			
SHEET 1 OF 1	DRAWING NO. 40-9588F-CUST	SIZE A	

THIS DRAWING WAS PRODUCED BY COMPUTER,
DO NOT SCALE DRAWING OR UPDATE MANUALLY.

5

4

3

2

1