

5

4

3

2

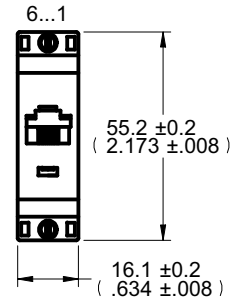
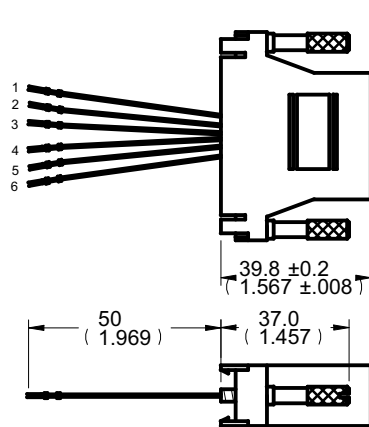
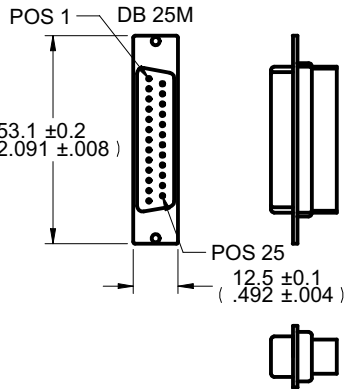
1

DRAWING NO. <b>40-9586F-CUST</b>																
<b>REVISIONS</b>																
01	OFFICIAL RELEASE															
	<table border="1"> <tr> <td>08-10-09</td> <td>J</td> <td>T</td> <td>T</td> <td></td> <td></td> <td></td> <td>2009.09.0</td> </tr> <tr> <td></td> <td></td> <td></td> <td></td> <td></td> <td></td> <td></td> <td>Betty<sup>8</sup> 09.27.25 +08'00</td> </tr> </table>	08-10-09	J	T	T				2009.09.0							
08-10-09	J	T	T				2009.09.0									
							Betty <sup>8</sup> 09.27.25 +08'00									

Description: Mod adptr kit, DB25F-RJ12, grey  
 Part No: 40-9586F  
 Application: Adapter  
 Crimp Tool: N/A  
 Impedance: N/A  
 Frequency Range: N/A  
 Material: N/A  
 RoHS Compliance: Yes  
 Technical Detail: N/A



受控 CONTROLLED DOCUMENT					
编号 P/N	40-9586F-CUST	版本 Rev	01	日期 Rel'd Date	SEP 14,09



- RJ12 JACK COLOR CODE
- 1 - BLUE
  - 2 - YELLOW
  - 3 - GREEN
  - 4 - RED
  - 5 - BLACK
  - 6 - WHITE

**DIM OUTLINE**

**CUSTOMER COPY**

TOLERANCE UNLESS OTHERWISE SPECIFIED		DRAWN BY <b>JEAN.JIN</b>	DATE 08-10-09
DECIMALS	mm	CHECKED BY <b>TERRY.W</b>	DATE 08-10-09
X	± 5	APPROVED BY <b>THOMAS</b>	DATE 08-10-09
X.X	± 0.3	U/M	mm
X.XX	± 0.1		
ANGLES	± 0.5°		

<b>EMERSON</b> Network Power		<b>Connectivity Solutions</b>	
TITLE MOD ADPTR KIT, DB25F-RJ12, GREY			

THIS DRAWING WAS PRODUCED BY COMPUTER, DO NOT SCALE DRAWING OR UPDATE MANUALLY.		
SHEET 1 OF 1	DRAWING NO. <b>40-9586F-CUST</b>	SIZE <b>A</b>

5

4

3

2

1

D

C

B

A

D

C

B

A