

5

4

3

2

1

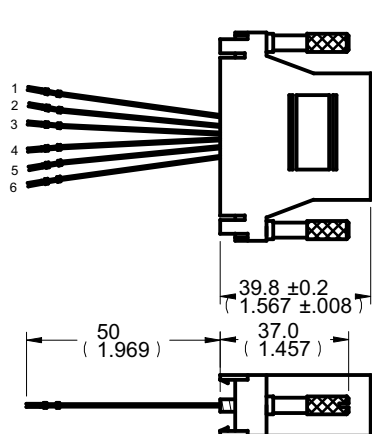
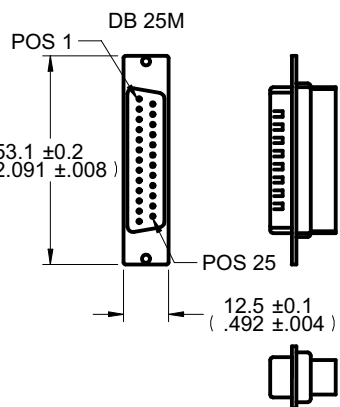
DRAWING NO.			
40-9586M-CUST			
REVISIONS			
01	OFFICIAL RELEASE		
	08-10-09	J J	T W T

*Betty* 2009.09.0  
18 09:26:40  
+08'00'

Description: Mod adptr kit, DB25M-RJ12, grey  
 Part No: 40-9586M  
 Application: Adapter  
 Crimp Tool: N/A  
 Impedance: N/A  
 Frequency Range: N/A  
 Material: N/A  
 RoHS Compliance: Yes  
 Technical Detail: N/A



受控 CONTROLLED DOCUMENT					
编号 P/N	40-9586M-C UST	版本 Rev	01	日期 Rel'd Date	SEP 14,09



RJ12 JACK COLOR CODE  
 1 - BLUE  
 2 - YELLOW  
 3 - GREEN  
 4 - RED  
 5 - BLACK  
 6 - WHITE

CUSTOMER COPY

TOLERANCE UNLESS OTHERWISE SPECIFIED		DRAWN BY	DATE
		JEAN.JIN	08-10-09
DECIMALS	mm	CHECKED BY	DATE
X	± 5	TERRY.W	08-10-09
X.X	± 0.3	APPROVED BY	DATE
X.XX	± 0.1	THOMAS	08-10-09
ANGLES	± 0.5°	U/M	mm

		Connectivity Solutions	
TITLE			
MOD ADPTR KIT, DB25M-RJ12, GREY			

THIS DRAWING WAS PRODUCED BY COMPUTER, DO NOT SCALE DRAWING OR UPDATE MANUALLY.		SHEET	DRAWING NO.	SIZE
		1 OF 1	40-9586M-CUST	A

5

4

3

2

1