

IEC Appliance Inlet C14 with Filter, Fuseholder 1- or 2-pole, optional Voltage Selector (step switch)

Plug removal necessary for fuse replacement



Snap-in mounting from front side without voltage selector  
Fuse drawer must be ordered separately (see accessories).



Screw-on mounting from rear side without voltage selector



Screw-on mounting from front side with voltage selector



### Description

- Panel Mount:  
Screw-on version from front or rear side, snap-in version from front side
- 4 Functions:  
Appliance Inlet Protection class I, Fuseholder for fuse-links 5 x 20 mm 1- or 2-pole, with or without voltage selector (step switch), Line filter in standard and medical version
- Quick connect terminals or wires
- Alternative: version without line filter [KEA](#)

### Approvals

- VDE License Number: 40004665 (FKE, FKF, FKV, FKW)
- UL License Number: E72928 (FKE, FKF, FKV, FKW)

### Characteristics

- Rear side mounting for efficient cost-saving assembly
- Suitable for assembly in metal plated plastic housings
- All single elements are already wired
- Plug removal necessary for fuse-link replacement
- The fuse drawer "Fingergrasp" can be removed by hand
- For added safety "Extra-Safe" fuse drawers are available
- Fuse drawer meets requirements of medical standard IEC/EN 60601-1
- The fuseholder is accessible from the equipment front
- Qualified for use in equipment according IEC/EN 60950

### Other versions on request

- Capacity CX 100 nF

### References

[General Product Information](#)

### Weblinks

[Approvals](#), [RoHS](#), [CHINA-RoHS](#), [Mating Connectors](#), [e-Store](#), [Distributor-Stock-Check](#), [Accessories](#)

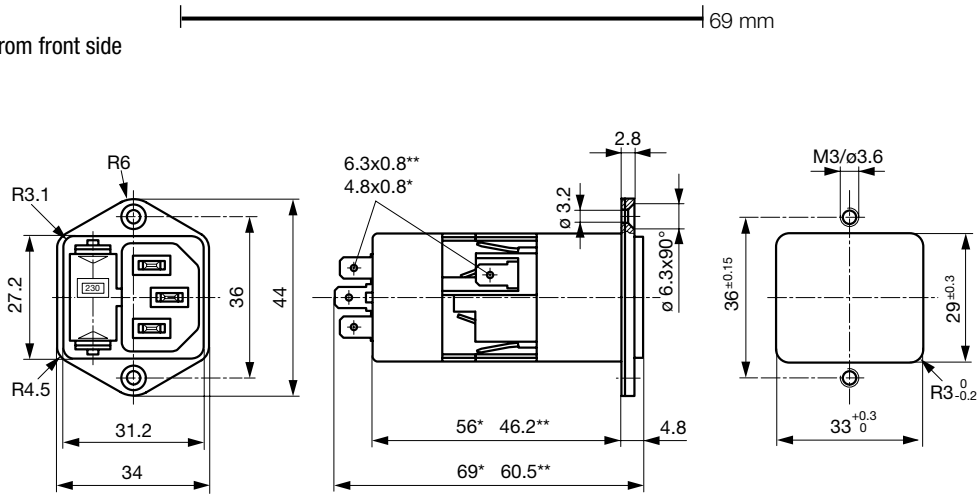
### Technical Data

Ratings IEC	1 - 10A @ Ta 40 °C / 250 VAC; 50 Hz
Ratings UL/CSA	1 - 10A @ Ta 40 °C / 125 VAC; 60 Hz
Leakage Current	standard < 0.5 mA (250 V / 60 Hz) medical < 5 µA (250 V / 60 Hz)
Dielectric Strength	> 1.7 kVDC between L-N > 2.7 kVDC between L/N-PE Test voltage (2 sec)
Allowable Operation Temp.	-25 °C to 85 °C
Climatic Category	25/085/21 acc. to IEC 60068-1
Degree of Protection	from front side IP 40 acc. to IEC 60529
Protection Class	Suitable for appliances with protection class 1 acc. to IEC 61140
Terminal	Quick connect terminals or wires
Panel Thickness s	Screw: max 8 mm Mounting screw torque max 0.5 Nm Snap-in: 0.8 mm to 3 mm
Material: Housing	Thermoplastic, black, UL 94V-0

Appliance-Inlet/-Outlet	C14 acc. to IEC/EN 60320-1, UL 498, CSA C22.2 no. 42 (for cold conditions) pin-temperature 70 °C, 10A, Protection Class 1
Fuseholder	1 or 2 pole, Shocksafe category PC2 acc. to IEC 60127-6, for fuse-links 5 x 20 mm
Rated Power Acceptance @ Ta 23 °C	5 x 20: 2W (1 pole)/ 1.6W (2-pole) per pole
Power Acceptance @ Ta > 23 °C	Admissible power acceptance at higher ambient temperature see derating curves
Voltage Selectors	optional, step, 3 pos.
Line Filter	Standard and Medical Version, IEC 60939, IEC 60601-1, UL 1283, UL 544, EN 133 200, CSA C22.2 no. 8 <a href="#">Technical details</a>
MTBF	> 1'700'000 h acc. to MIL-HB-217 F

### Dimensions

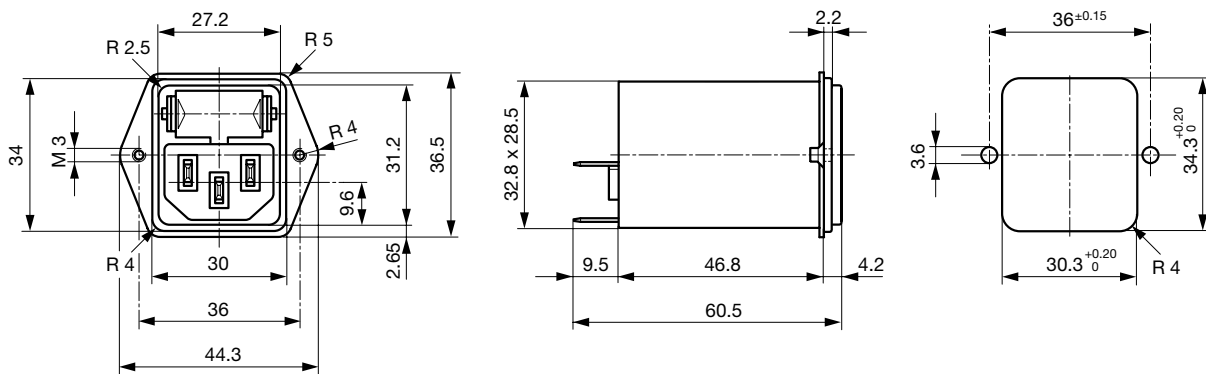
Screw-on mounting from front side



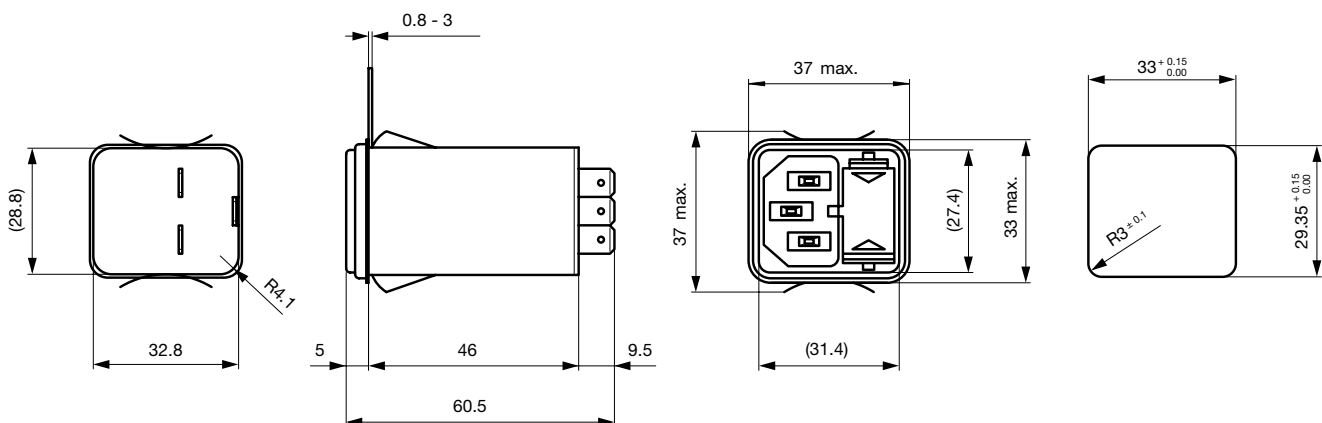
\* with voltage selector

\*\* without voltage selector

Screw-on mounting from rear side



Snap-in mounting

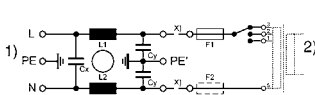


Technical Data of Filter-Components

Rated Current [A]	Filter-Type	Inductances L [mH]	Capacitance CX [nF]	Capacitance CY [nF]	R [MΩ]
1	Standard Version	2 x 10	68	2.2	-
2	Standard Version	2 x 4	68	2.2	-
4	Standard Version	2 x 1.5	68	2.2	-
6	Standard Version	2 x 0.8	68	2.2	-
10	Standard Version	2 x 0.3	68	2.2	-
1	Medical Version (M5)	2 x 10	68	-	1
2	Medical Version (M5)	2 x 4	68	-	1
4	Medical Version (M5)	2 x 1.5	68	-	1
6	Medical Version (M5)	2 x 0.8	68	-	1
10	Medical Version (M5)	2 x 0.3	68	-	1
1	Medical Version (M80)	2 x 10	68	0.47	1
2	Medical Version (M80)	2 x 4	68	0.47	1
4	Medical Version (M80)	2 x 1.5	68	0.47	1
6	Medical Version (M80)	2 x 0.8	68	0.47	1
10	Medical Version (M80)	2 x 0.3	68	0.47	1

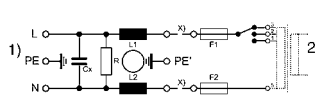
Diagrams

Standard version with voltage selector



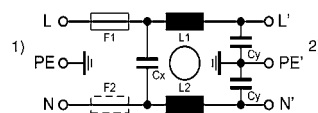
x) external connection to be made by the customer  
1) Line  
2) Load

Medical version with voltage selector



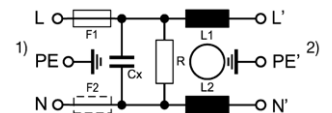
x) external connection to be made by the customer  
1) Line  
2) Load

Standard version without voltage selector



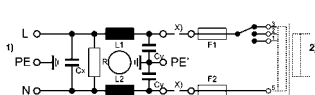
1) Line  
2) Load

Medical version (M5) without voltage selector



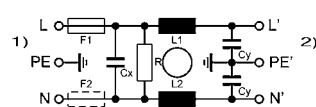
1) Line  
2) Load

Medical version (M80) with voltage selector



x) external connection to be made by the customer  
1) Line  
2) Load

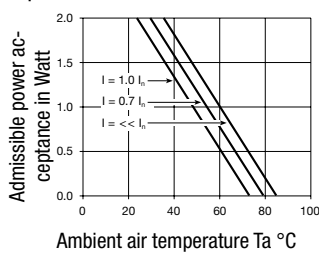
Medical version (M80) without voltage selector



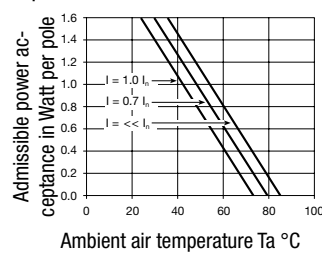
1) Line  
2) Load

Derating Curves

1-pole



2-pole





## Variants

Fuse drawer must be ordered separately (see accessories).

Rated Current [A]	Filter-Type	Panel mounting	Mounting side	Fuseholder	Terminal	Voltage Selectors	Order Number
1	Standard Version	Screw	Front-Side	1-pole	Quick connect terminals	-	4301.5011
1	Standard Version	Screw	Front-Side	1-pole	Quick connect terminals	3 pos.	4301.5051
1	Standard Version	Screw	Front-Side	2-pole	Quick connect terminals	-	4301.5001
1	Standard Version	Screw	Front-Side	2-pole	Quick connect terminals	3 pos.	4301.5041
1	Standard Version	Screw	Rear-Side	1-pole	Flexible wire18 AWG	-	4301.7311
1	Standard Version	Screw	Rear-Side	1-pole	Quick connect terminals	-	4301.7011
1	Standard Version	Screw	Rear-Side	2-pole	Flexible wire18 AWG	-	4301.7301
1	Standard Version	Screw	Rear-Side	2-pole	Quick connect terminals	-	4301.7001
2	Standard Version	Screw	Front-Side	1-pole	Quick connect terminals	-	4301.5012
2	Standard Version	Screw	Front-Side	1-pole	Quick connect terminals	3 pos.	4301.5052
2	Standard Version	Screw	Front-Side	2-pole	Quick connect terminals	-	4301.5002
2	Standard Version	Screw	Front-Side	2-pole	Quick connect terminals	3 pos.	4301.5042
2	Standard Version	Screw	Rear-Side	1-pole	Quick connect terminals	-	4301.7012
2	Standard Version	Screw	Rear-Side	2-pole	Quick connect terminals	-	4301.7002
4	Standard Version	Screw	Front-Side	1-pole	Quick connect terminals	-	4301.5013
4	Standard Version	Screw	Front-Side	1-pole	Quick connect terminals	3 pos.	4301.5053
4	Standard Version	Screw	Front-Side	2-pole	Quick connect terminals	-	4301.5003
4	Standard Version	Screw	Front-Side	2-pole	Quick connect terminals	3 pos.	4301.5043
4	Standard Version	Screw	Rear-Side	1-pole	Quick connect terminals	-	4301.7013
4	Standard Version	Screw	Rear-Side	2-pole	Quick connect terminals	-	4301.7003
6	Standard Version	Screw	Front-Side	1-pole	Quick connect terminals	-	4301.5014
6	Standard Version	Screw	Front-Side	1-pole	Quick connect terminals	3 pos.	4301.5054
6	Standard Version	Screw	Front-Side	2-pole	Quick connect terminals	-	4301.5004
6	Standard Version	Screw	Front-Side	2-pole	Quick connect terminals	3 pos.	4301.5044
6	Standard Version	Screw	Rear-Side	1-pole	Quick connect terminals	-	4301.7014
6	Standard Version	Screw	Rear-Side	2-pole	Quick connect terminals	-	4301.7004
10	Standard Version	Screw	Front-Side	1-pole	Quick connect terminals	-	4301.5015
10	Standard Version	Screw	Front-Side	1-pole	Quick connect terminals	3 pos.	4301.5055
10	Standard Version	Screw	Front-Side	2-pole	Quick connect terminals	-	4301.5005
10	Standard Version	Screw	Front-Side	2-pole	Quick connect terminals	3 pos.	4301.5045
10	Standard Version	Screw	Rear-Side	1-pole	Quick connect terminals	-	4301.7015
10	Standard Version	Screw	Rear-Side	2-pole	Quick connect terminals	-	4301.7005
1	Standard Version	Snap-in	Front-Side	1-pole	Quick connect terminals	-	4301.6011
1	Standard Version	Snap-in	Front-Side	2-pole	Quick connect terminals	-	4301.6001
2	Standard Version	Snap-in	Front-Side	1-pole	Quick connect terminals	-	4301.6012
2	Standard Version	Snap-in	Front-Side	2-pole	Quick connect terminals	-	4301.6002
4	Standard Version	Snap-in	Front-Side	1-pole	Quick connect terminals	-	4301.6013
4	Standard Version	Snap-in	Front-Side	2-pole	Quick connect terminals	-	4301.6003
6	Standard Version	Snap-in	Front-Side	1-pole	Quick connect terminals	-	4301.6014
6	Standard Version	Snap-in	Front-Side	2-pole	Quick connect terminals	-	4301.6004
10	Standard Version	Snap-in	Front-Side	1-pole	Quick connect terminals	-	4301.6015
10	Standard Version	Snap-in	Front-Side	2-pole	Quick connect terminals	-	4301.6005
1	Medical Version (M5)	Screw	Front-Side	2-pole	Quick connect terminals	-	4301.5201
1	Medical Version (M5)	Screw	Front-Side	2-pole	Quick connect terminals	3 pos.	4301.5241
1	Medical Version (M5)	Screw	Rear-Side	2-pole	Quick connect terminals	-	4301.7201
2	Medical Version (M5)	Screw	Front-Side	2-pole	Quick connect terminals	-	4301.5203
2	Medical Version (M5)	Screw	Front-Side	2-pole	Quick connect terminals	3 pos.	4301.5243
2	Medical Version (M5)	Screw	Rear-Side	2-pole	Quick connect terminals	-	4301.7203
4	Medical Version (M5)	Screw	Front-Side	2-pole	Quick connect terminals	-	4301.5205
4	Medical Version (M5)	Screw	Front-Side	2-pole	Quick connect terminals	3 pos.	4301.5245
4	Medical Version (M5)	Screw	Rear-Side	2-pole	Quick connect terminals	-	4301.7205
6	Medical Version (M5)	Screw	Front-Side	1-pole	Quick connect terminals	-	4301.5217
6	Medical Version (M5)	Screw	Front-Side	2-pole	Quick connect terminals	3 pos.	4301.5247
6	Medical Version (M5)	Screw	Rear-Side	2-pole	Quick connect terminals	-	4301.7207

Rated Current [A]	Filter-Type	Panel mounting	Mounting side	Fuseholder	Terminal	Voltage Selectors	Order Number
10	Medical Version (M5)	Screw	Front-Side	2-pole	Quick connect terminals	-	4301.5209
10	Medical Version (M5)	Screw	Front-Side	2-pole	Quick connect terminals	3 pos.	4301.5249
10	Medical Version (M5)	Screw	Rear-Side	2-pole	Quick connect terminals	-	4301.7209
1	Medical Version (M5)	Snap-in	Front-Side	2-pole	Quick connect terminals	-	4301.6201
2	Medical Version (M5)	Snap-in	Front-Side	2-pole	Quick connect terminals	-	4301.6203
4	Medical Version (M5)	Snap-in	Front-Side	2-pole	Quick connect terminals	-	4301.6205
6	Medical Version (M5)	Snap-in	Front-Side	2-pole	Quick connect terminals	-	4301.6207
10	Medical Version (M5)	Snap-in	Front-Side	2-pole	Quick connect terminals	-	4301.6209
1	Medical Version (M80)	Screw	Rear-Side	2-pole	Quick connect terminals	-	4301.7202
2	Medical Version (M80)	Screw	Front-Side	2-pole	Quick connect terminals	3 pos.	4301.5244
2	Medical Version (M80)	Screw	Rear-Side	2-pole	Quick connect terminals	-	4301.7204
4	Medical Version (M80)	Screw	Front-Side	2-pole	Quick connect terminals	-	4301.5206
4	Medical Version (M80)	Screw	Rear-Side	2-pole	Quick connect terminals	-	4301.7206
6	Medical Version (M80)	Screw	Rear-Side	2-pole	Quick connect terminals	-	4301.7208
10	Medical Version (M80)	Screw	Rear-Side	2-pole	Quick connect terminals	-	4301.7200
4	Medical Version (M80)	Snap-in	Front-Side	2-pole	Quick connect terminals	-	4301.6206

Wire length: 150 mm

**Packaging unit** 10 Pcs

### Required Accessory

#### Description

#### Fusedrawer 2

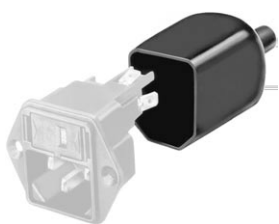
Fusedrawer with and without Voltage Selector Insert



Fingergrip, 2-pole, Voltage Selectors, 110, 150, 220	4301.1014.01
Fingergrip, 2-pole, Voltage Selectors, 120, 240	4301.1014.02
Fingergrip, 2-pole, Voltage Selectors, 110, 220	4301.1014.03
Fingergrip, 2-pole, Voltage Selectors, 115, 220	4301.1014.04

...

### Accessories



#### Assorted Covers

Rear Cover

0859.0075



#### Cord retaining kits

Cord retaining strain relief

Flat head, A	4700.0001
Countersunk, B	4700.0002

Mating Outlets/Connectors

Category / Description

Appliance Outlet Overview complete



IEC Appliance Outlet F, Screw-on Mounting, Front Side, Solder or Quick-connect Terminal	4787
IEC Appliance Outlet F, Snap-in Mounting, Front Side, Solder or Quick-connect Terminal	4788
IEC Appliance Outlet F or H, Screw-on Mounting, Front Side, Solder, PCB or Quick-connect Terminal	5091
IEC Appliance Outlet F or H, Screw-on Mounting, Front Side, Solder or Quick-connect Terminal	5092

[Appliance Outlet further types to KFA](#)

Connector Overview complete



IEC Connector C15, Rewireable, Straight	0101
IEC Connector C15A, Rewireable, Straight	0102
IEC Connector C15A, Rewireable, Straight	0102-G
IEC Connector C15A, Rewireable, Angled	0112
IEC Connector C13, Rewireable, Angled	4012

[Connector further types to KFA](#)

Power Cord Overview complete



Power Cord with IEC Connector C13, Angled	0311
Power Cord with IEC Connector C13, Angled	3011
Power Cord with IEC Connector C13, Angled	3012
Power Cord with IEC Connector C13, Angled	3013
Power Cord with IEC Connector C13	3020

[Power Cord further types to KFA](#)