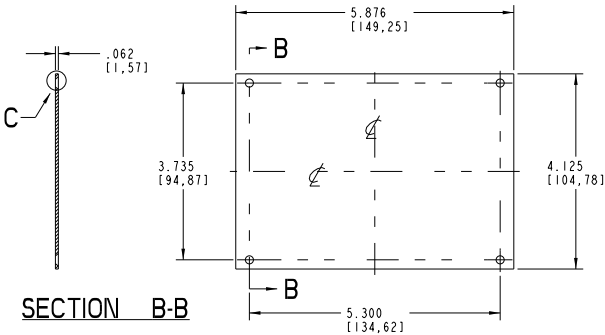
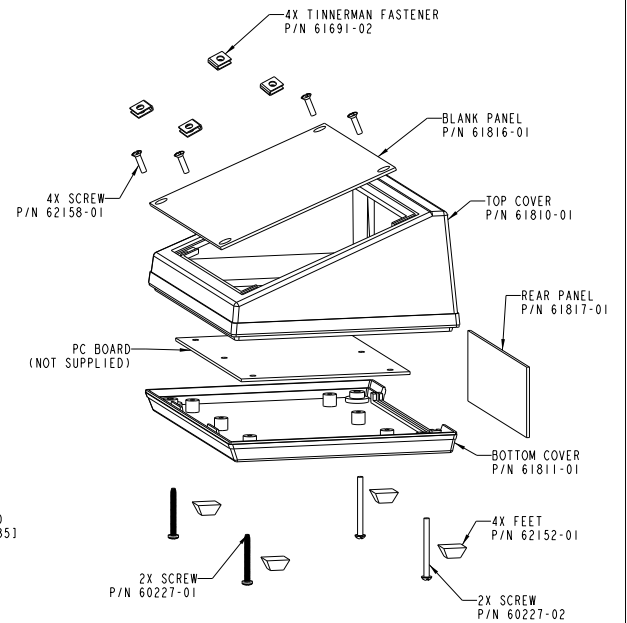
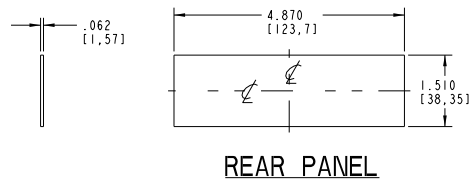
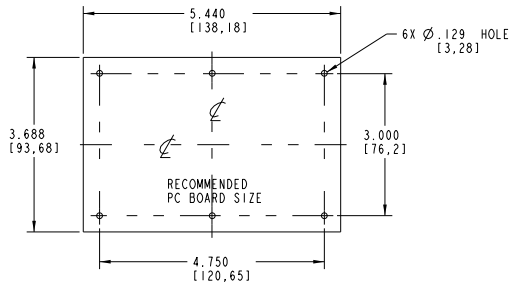


SEE DETAIL C



BLANK PANEL



PACINTEC®
1-610-361-4200

KEU-7

VISIT **PACINTEC®**
ON THE WORLD WIDE WEB
www.pactecenclosures.com

COLOR / MATERIAL CODE		
COLOR	94HB	94VO
BLACK	000	028
P. C. BONE	039	060

DRAWING NUMBER	REV
62843	B