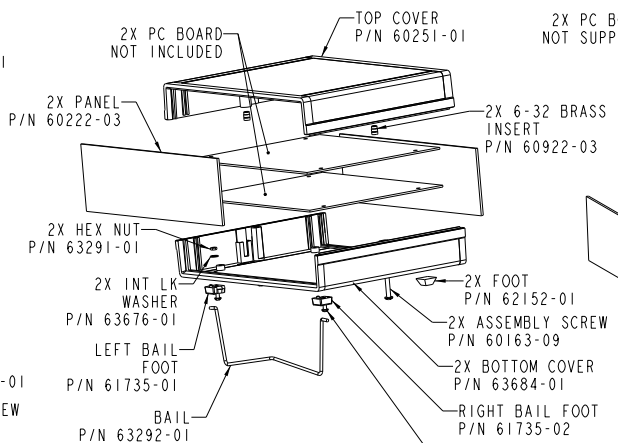
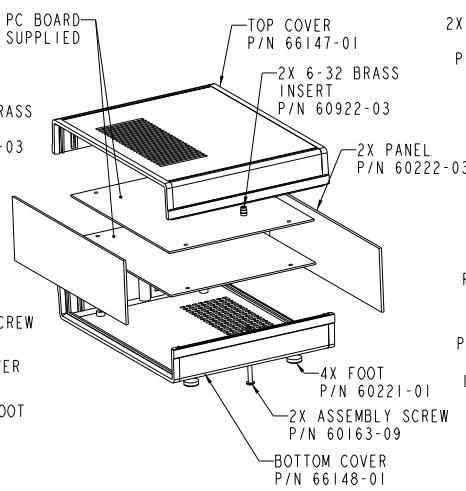


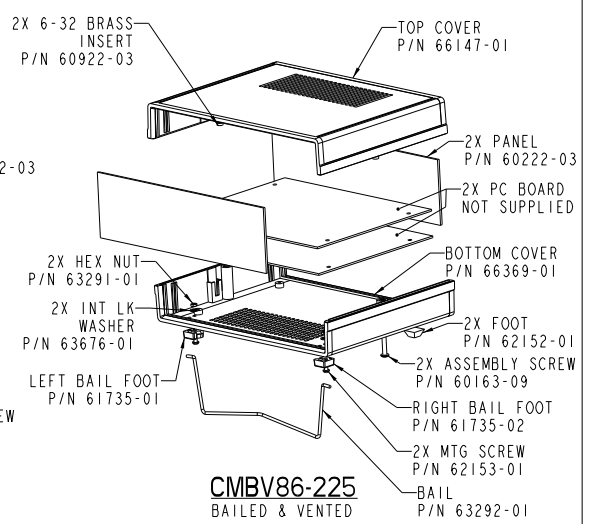
CM86-225
STANDARD



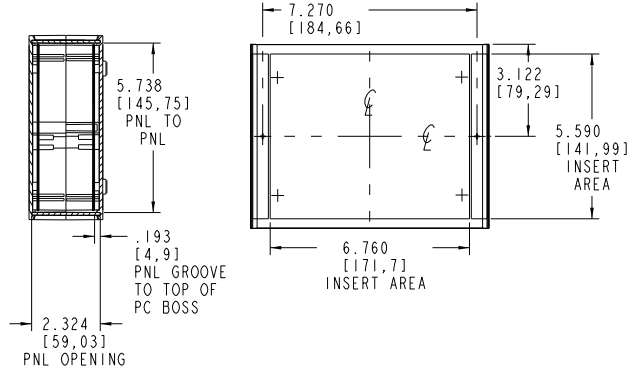
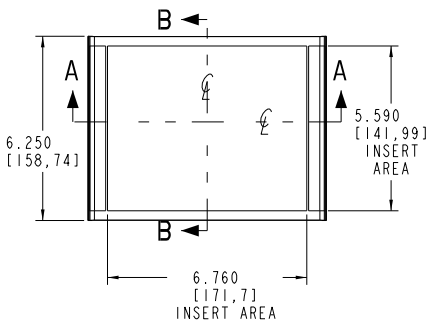
CMB86-225
BAILED



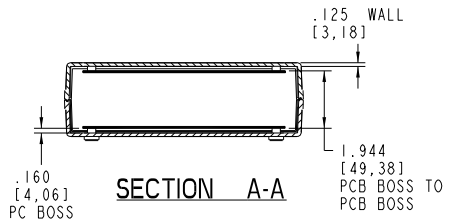
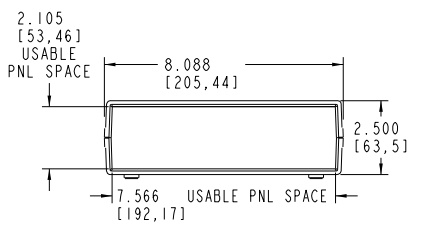
CMV86-225
VENTED



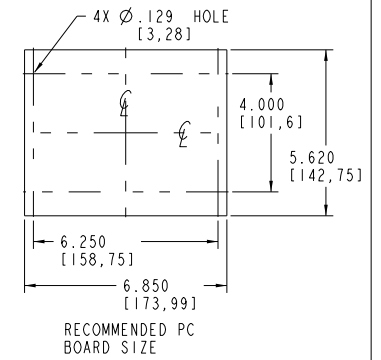
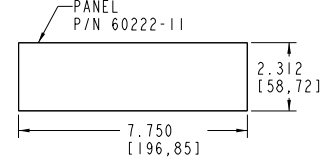
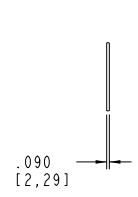
CMBV86-225
BAILED & VENTED



SECTION B-B



SECTION A-A



PACINTEC®
1-610-361-4200

CM86-225-SERIES

VISIT **PACINTEC®**
ON THE WORLD WIDE WEB
www.pactecenclosures.com

COLOR / MATERIAL CODE		
COLOR	94HB	94VO
BLACK	000	028
P. C. BONE	039	060

DRAWING NUMBER	REV
79354	A