



[Custom  
Molded  
Rubber](#)



[Custom  
Colors!!](#)

[Home](#)

[About PacTec](#)

[Contact Us](#)

## Login

[Click Here to Register](#)

Username

Password

[Forget your login info?](#)

[View Cart \(0\)](#)

[Advanced Search](#)

[Connector Search](#)

## News

Sign up for our latest news and new product updates!

**Email:**

## CM86-225

**External Dimensions: 6.2 x 8.1 x 2.5 in.**

**PCB Dimensions: 5.7 x 7.6 x 2.5 in.**

**Colors:** Black  
PC Bone

**Materials:** ABS-94HB  
[Material Specs](#)

### Components:

- Top and Bottom Covers
- Assembly Screws
- 2 Panels (Black Only)
- 4 Feet

 [Add To Cart](#)

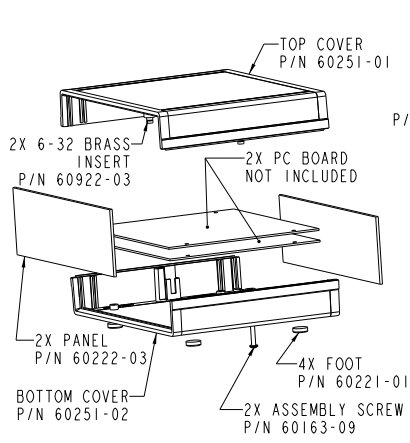


[Custom Colors!!](#)

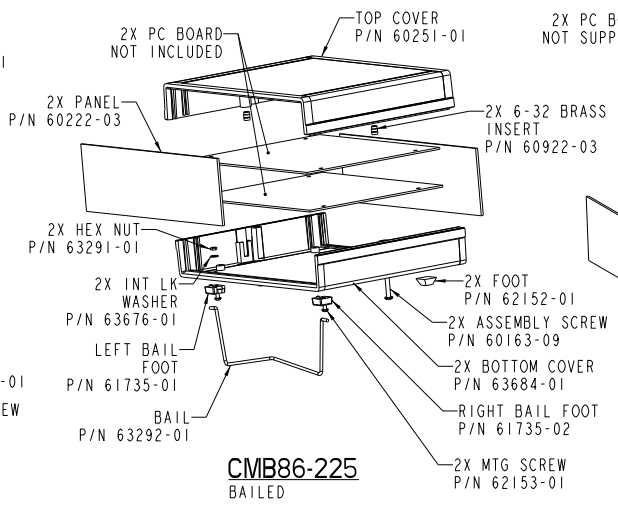


[Free Samples of  
New Products Available!](#)

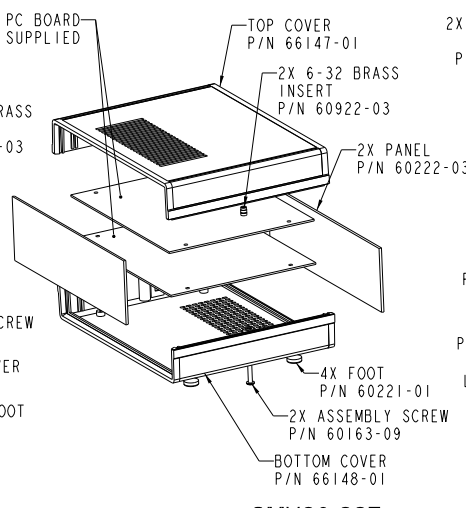




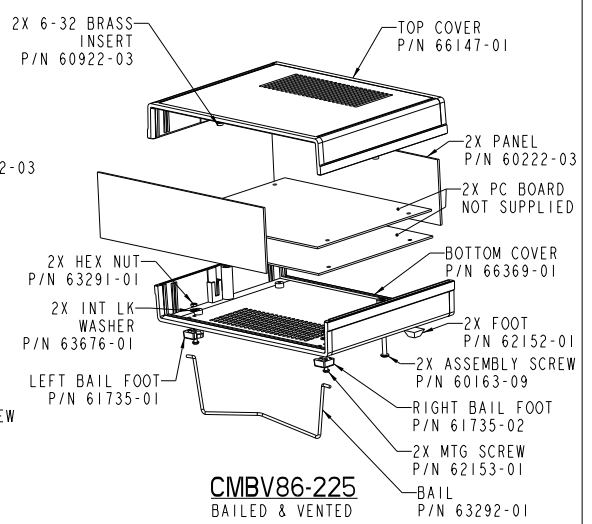
**CM86-225**  
STANDARD



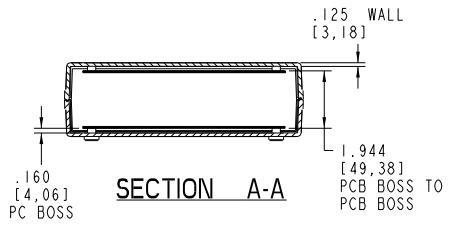
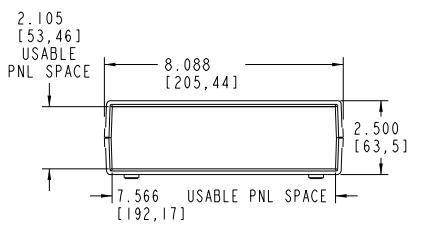
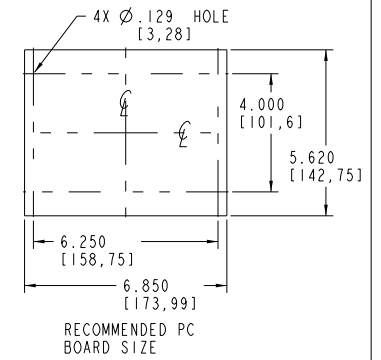
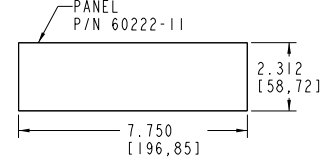
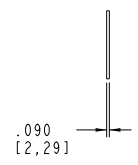
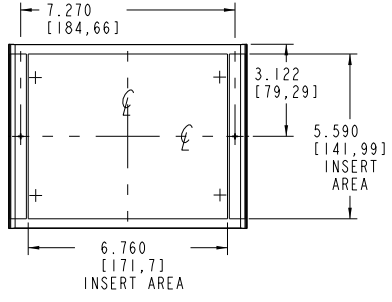
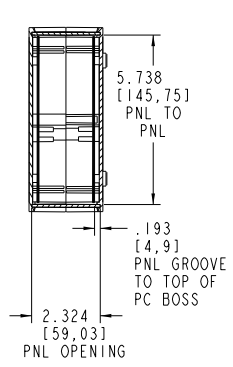
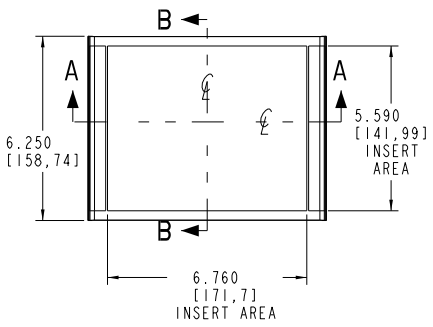
**CMB86-225**  
BAILED



**CMV86-225**  
VENTED



**CMBV86-225**  
BAILED & VENTED



**PACINTEC®**  
1-610-361-4200

**CM86-225-SERIES**

VISIT **PACINTEC®**  
ON THE WORLD WIDE WEB  
[www.pactecenclosures.com](http://www.pactecenclosures.com)

COLOR / MATERIAL CODE		
COLOR	94HB	94VO
BLACK	000	028
P. C. BONE	039	060

DRAWING NUMBER	REV
79354	A