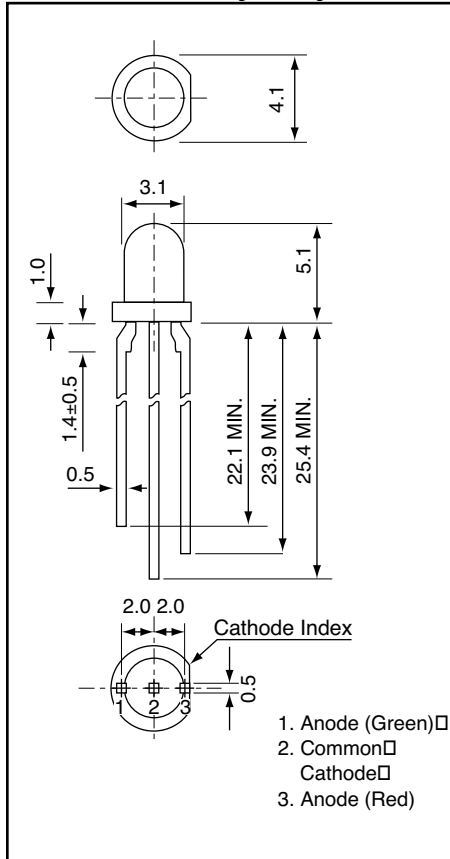




Weight: 0.14 g Unit: mm



Product specifications contained herein may be changed without prior notice. It is therefore advisable to contact Purdy Electronics before proceeding with the design of equipment incorporating this product.

AND126SG

Dual Color

T-1 (3mm)

Features

- Dual color: Red (GaAsP) / Green (GaP)
- Common cathode
- All plastic mold type, milky diffused lens
- Low drive current: 10 to 15 mA
- Fast response time, capable of pulse operation
- **RoHS Compliant**

Optical Characteristics (T_a = 25°C)

Color		Lens Desc.	Axial Luminous Intensity (mcd)		Test Condition (I _F —mA)	Viewing Angle 2θ1/2 (deg)
LED	Lens		Min.	Typ.		
Red	Milky	Diffused	12	14	20	60
Green	Milky	Diffused	12	14	20	60

Absolute Maximum Ratings (T_a = 25°C)

Characteristics	Symbol	Rating		Unit
		Red	Green	
Forward Current	I _F	30	30	mA
Reverse Voltage	V _R	4	4	V
Power Dissipation	P _D	75	75	mW
Operating Temperature	T _{Opr}	-25 to +75		°C
Storage Temperature Range	T _{Stg}	-25 to +100		°C

Electro-Optical Characteristics (T_a = 25°C)

Characteristics	Symbol	Test Condition	Red		Green		Unit
			Typ.	Max.	Typ.	Max.	
Forward Voltage	V _F	I _F = 20mA	2.0	3.0	2.1	3.0	V
Reverse Current	I _R	V _R = 4 V	—	100	—	100	μA
Peak Emission Wavelength	λ _p	I _F = 20mA	635	—	565	—	nm
Spectral Line Half Width	λ	I _F = 20mA	40	—	25	—	nm

Precaution

Please be careful of the following:

1. Soldering temperature: 260°C max; Soldering time: 5 sec. max; Soldering portion of lead: up to 1.6 mm from the body of the device.
2. The lead can be formed up to 5 mm from the body of the device without forming stress. Soldering should be performed after the lead forming.