

**AC/DC - 2 WIRE VERSA-PROX STANDARD SERIES, LIMIT STYLE Polyamide (PA 6.6), Standard Housing 20-250V AC/DC, 400mA 2 LEDs for Operating Voltage & Output Energized**

- 17 rotatable sensing head positions
- Programmable NO/NC outputs
- Rugged Housing
- Snap-together construction
- Separable mounting base
- Carries  $\text{C}$  mark

- IEC (529) IP67 (NEMA 1, 3, 4, 6, 12, 13) Protection
- Short Circuit Protection
- Overload Protection
- Reverse Polarity Protection
- Wire Break Resistance
- Temperature Range: -25 to 70°C (-13 to 158°F)

Sensing Distance	Flush Mount	Non-Flush Mount
	20mm (.79 in.)	40mm (1.57 in.)
Cable or Connector Style Cat. No.	Screw Terminal	Screw Terminal
(Programmable NO/NC)	9873-0031	9873-0231
Voltage Range	20V-250V AC/DC	20V - 250V AC/DC
Operating Frequency	DC-60Hz	DC-60Hz
Output Current	400 mA	400 mA
Maximum Drop Across Sensor	≤5V	≤5V
Max. Leakage Current	≤2 mA	≤2 mA
Switching Frequency	15 Hz	15 Hz
Hysteresis	≤20%	≤20%
Temperature Drift	≤10%	≤10%
Repeatability	1.0mm (.04 in.)	2.0mm (.079in.)

**Metric/in. Conversion Table**

3.0 mm = .11 in.	41 mm = 1.61 in.
5.0 mm = .20 in.	60 mm = 2.36 in.
7.0 mm = .27 in.	121 mm = 4.76 in.

This table converts millimeters to inches in reference to the illustrations included on these pages

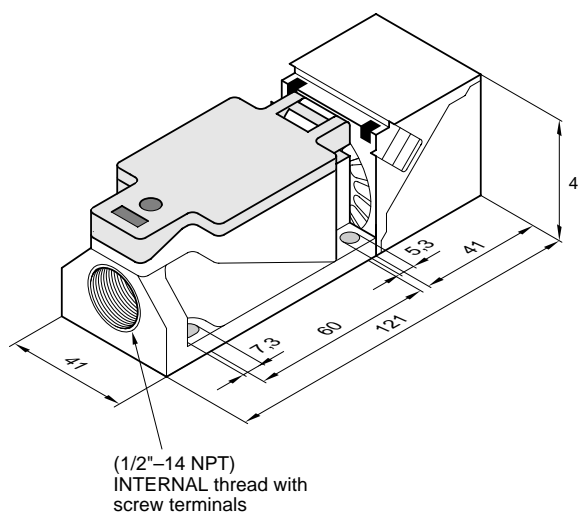
**Accessories**

Mounting Brackets – see Pages 114-115

Note: Sensor dimensions in mm.

**Screw Terminals**

Screw terminals are located internally in housing for wire connections



**Wiring Diagrams**

