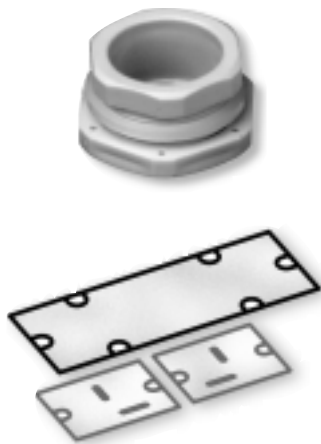


Combination Kits

Used to combine series specific enclosures to make larger units. Connect horizontally or vertically.

Fitting Type Combination Kit

Threaded with locknut seal for connecting sidewalls. Fits standard Pg knockouts. Drilling template included to ensure enclosure ingress integrity.



Pin Type Combination Set

For combining AKII and AKL Series Enclosures.

Type / Size	For Series	Cat. No.	Std. Pack
CK/Pg16	TK, EK	192-001	1
CK/Pg21	TK, EK	192-002	1
CK/Pg29	TK, EK	192-003	1

Conduit Connectors

Pg Unthreaded

- Includes locknut
- Fittings for smooth Pg conduit
- Polystyrene



Pg Threaded

- Includes locknut
- Fittings for threaded Pg conduit
- Polystyrene



NPT Unthreaded

- Includes locknut
- Fittings for smooth NPT conduit
- Polystyrene



NPT Threaded

- Includes locknut
- Fittings for threaded NPT conduit
- Polystyrene

Mounting Hole Type	Mounting Hole Dia. mm (in)	Conduit Type	Cat. No.	Std. Pack
Pg13.5	21.0 (0.83)	Pg13.5	263-403	30
Pg13.5	21.0 (0.83)	Pg16	263-404	30
Pg16	23.0 (0.91)	Pg13.5	264-403	30
Pg16	23.0 (0.91)	Pg16	264-404	30
Pg21	29.0 (1.14)	Pg16	265-404	25
Pg21	29.0 (1.14)	Pg21	265-405	20
Pg13.5	21.0 (0.83)	Pg13.5	293-403	30
Pg13.5	21.0 (0.83)	Pg16	293-404	30
Pg16	23.0 (0.91)	Pg13.5	294-403	30
Pg16	23.0 (0.91)	Pg16	294-404	30
Pg21	29.0 (1.14)	Pg16	295-404	25
Pg21	29.0 (1.14)	Pg21	295-405	20
Pg16	23.0 (0.91)	NPT 1/2"	274-050	30
Pg16	23.0 (0.91)	NPT 3/4"	274-075	25
Pg21	29.0 (1.14)	NPT 1/2"	275-050	25
Pg21	29.0 (1.14)	NPT 3/4"	275-075	20
Pg21	29.0 (1.14)	NPT 1"	275-100	15
Pg16	23.0 (0.91)	NPT 1/2"	294-050	30
Pg16	23.0 (0.91)	NPT 3/4"	294-075	25
Pg21	29.0 (1.14)	NPT 1/2"	295-050	25
Pg21	29.0 (1.14)	NPT 3/4"	295-075	20
Pg21	29.0 (1.14)	NPT 1"	295-100	15

Din Rails

DIN rails allow for mounting DIN Terminal Blocks and other control components. All required hardware included.

TS15x5 mm



Type	For Series	Cat. No.	Std. Pack
TS15/63	Abox040	Z-628	1
TS15/49.5	TK77, 97	Z-629	1
TS15/80	TK97, 99	Z-630	1
TS15/87	TK1111, Abox060	Z-631	1
TS15/111	TK1309, 1313	Z-632	1
TS15/154	TK1809	Z-636	1



TS35x7.5 mm

TS35x7.5 mm / Special Variants

TS35x7.5 mm / for AL Series

Type	For Series	Cat. No.	Std. Pack
TS35/81	TK1111, Abox060	Z-650	1
TS35/106	TK1309, 1313, Abox100	Z-658	1
TS35/144	TK1809,1811, 1818, Abox160	Z-655	1
TS35/216	TK2518, Abox350	Z-652	1
TS35/336	TK3625	Z-663	1
CITS35/250	AKII, AKL	562-735	1
SMTS35/216	AKII, AKL, EK12, 24	562-035	1
TS35/110	AL1212	162-009	1
TS35/208	AL2212	162-010	1
TS35/145	AL1616	162-011	1
TS35/245	AL2616	162-012	1
TS35/345	AL3616	162-013	1
TS35/186	AL2023	162-014	1
TS35/266	AL2823	162-015	1
TS35/316	AL3323	162-016	1



Enclosure Mounting Screws

For mounting enclosures through corner holes.

Wood Screws

Machine Screws

Component Mounting Screws

For mounting DIN rails, mounting plates, etc. into molded base holes.

- Select appropriate length
- Self tapping

Type	For Series	Cat. No.	Std. Pack
WS/4x35	TK, EK	194-035	100
MS/4x12	TK, EK	194-412	100
MS/4x25	TK, EK	194-425	100
ST/3.9x9 mm	For	D-409	100
ST/3.9x13 mm	All Plastic	D-413	100
ST/3.9x17 mm	Series	D-417	100
ST/3.9x28 mm		D-428	100

Hinge Kits

Attach the enclosure cover and base together for easy opening and closing of the enclosure.

All required hardware and instructions are included.



Small Plastic

Large Plastic

Metal - Outer

Type	For Series	Cat. No.	Std. Pack
HK1	TK77 - 1809, EK002	190-002	1
HK2	TK1811 - 3625, EK004 - 024, AKII, AKL	190-005	1
HK-AL	AL1212 - AL3323	154-210	1

Enclosure Lid Screws

Replacements for existing screws.



Short-Gray

Long-Gray

Short-Black

Long-Black

Thumb Screw Caps

Type	For Series	Cat. No.	Std. Pack
TKLS-SG	TK - low cover, gray	190-010	1
TKLS-LG	TK - high cover, gray	190-011	1
TKLS-SB	TK - low cover, transparent	190-012	1
TKLS-LB	TK - high cover, transparent	190-013	1
TS	TK, EK, AKII, AKL	190-001	1



Locksets

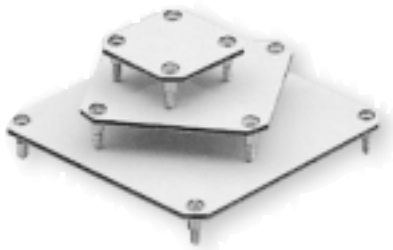
Locksets prevent the unauthorized opening of enclosure lids or doors.

KL Locksets with two keys easily install into hinged transparent doors.

Enclosure Padlock and Hinge set with all mounting accessories.

Type	For Series	Cat. No.	Std. Pack
KL	EK	548-102	1
KL2	AKII	706-102	1
PL	AKII, AKL, TK1811 & up	190-100	1

Mounting Plates



TK Series

Complete with screws.
Hole patterns match mounting provisions in enclosure base.
Plastic laminate 2.5 mm (.10 in) thick.
Color: Gray

Type	Enclosure Series	Size mm (in.)	Cat. No.	Std. Pack
MP55	TK55	46x44 (1.81x1.73)	195-055	1
MP75	TK75	59x44 (2.32x1.73)	195-075	1
MP77	TK77	45x45 (1.77x1.77)	195-001	1
MP97	TK97	74x45 (2.91x1.77)	195-002	1
MP99	TK99	74x74 (2.91x2.91)	195-003	1
MP1111	TK1111	90x90 (3.54x3.54)	195-004	1
MP1309	TK1309	110x74 (4.33x2.91)	195-009	1
MP1313	TK1313	110x110 (4.33x4.33)	195-005	1
MP1809	TK1809	160x74 (6.30x2.91)	195-010	1
MP1811	TK1811	150x90 (5.91x3.54)	195-006	1
MP1818	TK1818	150x150 (5.91x5.91)	195-007	1
MP2518	TK2518	220x150 (8.66x5.91)	195-008	1
MP3625	TK3625	331x220 (13.03x8.66)	195-012	1

Abox Series

Plastic laminate
Color: Gray

MP060	Abox060	83x83 (3.27x3.27)	895-006	1
MP100	Abox100	109x109 (4.29x4.29)	895-010	1
MP160	Abox160	149x149 (5.87x5.87)	895-016	1
MP350	Abox350	217x217 (8.54x8.54)	895-035	1

Aluminum Series

Steel plates for the mounting and installation of large / heavy devices and components.
- For AL Series only

MP88	AL88	68.8x64 (2.71x2.52)	155-005	1
MP1308	AL1308	114x68.8 (4.49x2.71)	155-006	1
MP1808	AL1808	164x68.8 (6.46x2.71)	155-007	1
MP1010	AL1010	88x88 (3.46x3.46)	155-008	1
MP1212	AL1212	109x107 (4.29x4.21)	155-009	1
MP2212	AL2212	207x107 (8.15x4.21)	155-010	1
MP1616	AL1616	145x143 (5.71x5.63)	155-011	1
MP2616	AL2616	245x143 (9.65x5.63)	155-012	1
MP3616	AL3616	345x143 (13.6x5.63)	155-013	1
MP2023	AL2023	214x184 (8.43x7.24)	155-014	1
MP2823	AL2823	264x214 (10.4x8.43)	155-015	1
MP3323	AL3323	314x214 (12.4x8.43)	155-016	1

AKII Series

Plastic laminate 4 mm (.16 in) thick
Color: Gray

MP11	AKII, AKL	240x112 (9.45x4.41)	795-001	1
MP12	AKII, AKL	240x240 (9.45x9.45)	795-002	1
MP13	AKII, AKL	240x390 (9.45x15.35)	795-003	1
MP14	AKII, AKL	240x540 (9.45x21.26)	795-004	1



Mounting Tabs

Enables enclosure to be surface mounted.
1 set = 4 mounting tabs

- Plastic
- Metal

Type	For Series	Cat. No.	Std. Pack
MT1	TK, EK, Nautic	194-001	1
MT2	AKII, AKL	793-004	1
MT-AL1	AL66-3 to AL1010-8	154-004	1
MT-AL2	AL1212-8 to AL3323-11	154-006	1



Snap In and Threaded Entry Spouts

Snap In with Punch Out Center
 - Fits and seals removed Pg knockouts
 - IP54
 - Flexible Polyethylene

Snap In Double Membrane Entry Seals
 - Fits and seals removed Pg knockouts
 - IP66
 - Features two integral sealing membranes

Snap In Air Vents
 - Allows moisture to escape from the enclosure
 - Labyrinth seal to prevent water formation

Threaded Entry Seal with Punch Out Center
 - IP54
 - Polyethylene

Universal Snap In Entry Seal
 - IP54
 - Polyethylene
 - Cut steps to fit desired cable size

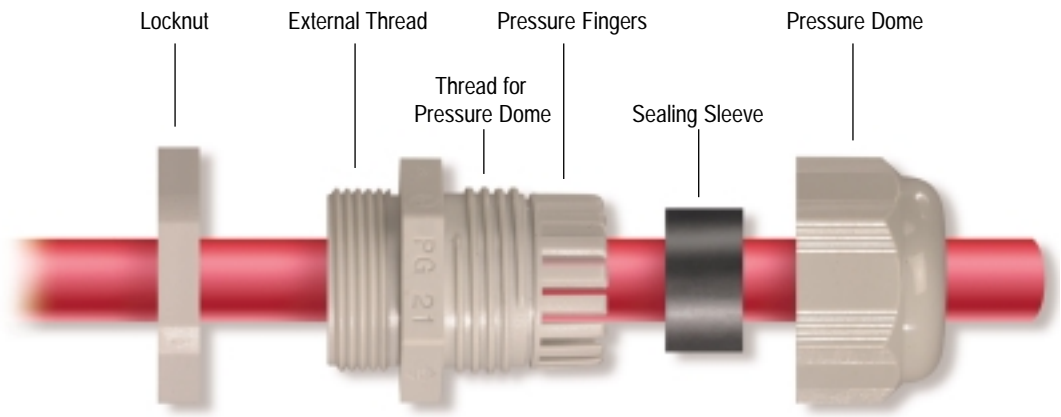
Mounting Hole Type	Mounting Hole Dia. mm (in.)	Cable Dia. mm (in.)	Cat. No.	Std. Pack
Pg11	19.0 (0.75)	8 - 12 (0.31 - 0.47)	231-902	100
Pg13.5	21.0 (0.83)	8 - 13 (0.31 - 0.51)	231-903	100
Pg16	23.0 (0.91)	9 - 18 (0.35 - 0.71)	231-904	150
Pg21	29.0 (1.14)	12 - 23 (0.47 - 0.91)	231-905	90
Pg29	37.5 (1.48)	17 - 30 (0.67 - 1.18)	231-906	50

Pg11	19.0 (0.75)	6 - 9 (.24 - .35)	260-402	100
Pg13.5	21.0 (0.83)	7 - 12 (.28 - .47)	260-403	100
Pg16	23.0 (0.91)	9 - 15 (.35 - .59)	260-404	100
Pg21	29.0 (1.14)	14 - 20 (.55 - .79)	260-405	50

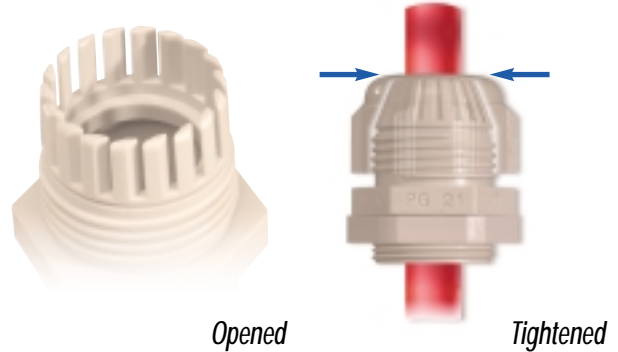
Pg13.5	21.0 (0.83)	N/A	262-403	100
Pg16	23.0 (0.91)	N/A	262-404	100

Pg9	15.5 (0.61)	6 - 8 (.24 - .31)	203-401	100
Pg11	19.0 (0.75)	7 - 10 (.28 - .39)	203-402	100
Pg13.5	21.0 (0.83)	9 - 12 (.35 - .47)	203-403	100
Pg16	23.0 (0.91)	9 - 14 (.35 - .55)	203-404	100
Pg21	29.0 (1.14)	11 - 17 (.43 - .67)	213-405	50
Pg29	37.5 (1.48)	17 - 24 (.67 - .94)	213-406	25
Pg36	47.5 (1.87)	24 - 35 (.94 - 1.38)	213-407	15
Pg42	54.5 (2.15)	31 - 39 (1.22 - 1.54)	213-408	8
Pg48	60.0 (2.36)	22 - 43 (.87 - 1.69)	213-409	5

Pg16	23.0 (0.91)	3.5 - 20.5 (.14 - .81)	216-404	100
Pg21	29.0 (1.14)	3.5 - 25.2 (.14 - .99)	216-405	50



- **Increased Cable Range** - The newly designed pressure fingers allow for up to 60% wider cable range.
- **IP68 achieved without seal rings** - The redesigned integral sealing ridge obtains an IP68 protection rating without the use of seal rings.



PG . . .

Liquid Tight Strain Reliefs

Thread Size	Cat. No.		Cable Ø Range	
	Lt. Gray	Black	mm	in.
PG7	5309 107	5309 207	1.5-5.0	0.06-0.20
PG7	5308 707	5308 507	2.5-6.5	0.10-0.26
PG9	5309 109	5309 209	1.5-6.0	0.06-0.24
PG9	5308 709	5308 509	2.5-8.0	0.10-0.32
PG11	5309 111	5309 211	2.0-7.0	0.08-0.28
PG11	5308 711	5308 511	3.5-10.0	0.14-0.39
PG13.5	5309 113	5309 213	3.0-9.0	0.12-0.35
PG13.5	5308 713	5308 513	5.0-12.0	0.20-0.47
PG16	5309 116	5309 216	5.0-12.0	0.20-0.47
PG16	5308 716	5308 516	7.0-14.0	0.28-0.55
PG21	5309 121	5309 221	7.0-16.0	0.28-0.63
PG21	5308 721	5308 521	9.0-18.0	0.35-0.71
PG29	5309 129	5309 229	11.0-21.0	0.43-0.83
PG29	5308 729	5308 529	14.0-25.0	0.55-0.98
PG36	5309 136	5309 236	13.0-26.0	0.51-1.02
PG36	5308 736	5308 536	18.0-32.0	0.71-1.26
PG42	5309 142	5309 242	17.0-31.0	0.67-1.22
PG42	5308 737	5308 537	24.0-38.5	0.95-1.52
PG48	5309 148	5309 248	26.0-39.0	1.02-1.54
PG48	5308 738	5308 538	35.0-48.0	1.38-1.89

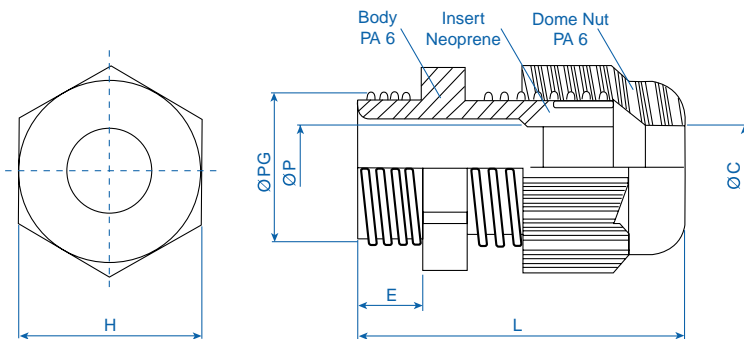
PG Locknuts

Thread Size	Cat. No.	
	Lt. Gray	Black
PG7	7211 881	7211 851
PG9	7211 882	7211 852
PG11	7211 883	7211 853
PG13.5	7211 884	7211 854
PG16	7211 885	7211 855
PG21	7211 886	7211 856
PG29	7211 887	7211 857
PG36	7211 888	7211 858
PG42	7211 889	7211 859
PG48	7211 890	7211 860

Temperature Range	
PA6	Neoprene
-40 to 100° C	-25 to 100° C
(-40 to 212° F)	(-13 to 212° F)

PG Dimensions

Thread Size	H mm	E mm	L mm	ØC mm	ØP mm	ØPG mm
PG7	15	8	32	6.7	6.8	12.5
PG9	19	8	35	8.5	8.7	15.2
PG11	22	8	37	10.5	10.5	18.6
PG13.5	24	9	39	12.5	12.5	20.4
PG16	27	10	43	14.5	14.5	22.5
PG21	33	11	50	18.5	18.5	28.3
PG29	42	11	53	25.5	25.5	37.0
PG36	53	13	65	32.5	32.5	47.0
PG42	60	13	68	39.0	39.0	54.0
PG48	70	14	70	48.5	48.5	59.3



N P T . . .



Altech[®]

Liquid Tight Strain Reliefs

Thread Size	Cat. No.		Cable Ø Range	
	Lt. Gray	Black	mm	in.
NPT 3/8	5308 904	5308 924	1.5-6.0	0.06-0.24
NPT 3/8	5308 900	5308 920	2.5-8.0	0.10-0.32
NPT 1/2	5308 905	5308 925	3.0-9.0	0.12-0.35
NPT 1/2	5308 901	5308 921	5.0-12.0	0.20-0.47
NPT 3/4	5308 906	5308 926	7.0-16.0	0.28-0.63
NPT 3/4	5308 902	5308 922	9.0-18.0	0.35-0.71
NPT 1	5308 907	5308 927	11.0-21.0	0.43-0.83
NPT 1	5308 903	5308 923	14.0-25.0	0.55-0.98

NPT Locknuts

Thread Size	Cat. No.	
	Lt. Gray	Black
NPT 3/8	7211 485	7211 495
NPT 1/2	7211 486	7211 496
NPT 3/4	7211 487	7211 497
NPT 1	7211 488	7211 498

M E T R I C . . .



Thread Pitch - 1.5

Liquid Tight Strain Reliefs

Thread Size	Cat. No.		Cable Ø Range	
	Lt. Gray	Black	mm	in.
M12	5309 612	5309 712	1.5-5.0	0.06-0.20
M12	5308 950	5308 940	2.5-6.5	0.10-0.26
M16	5309 616	5309 716	2.0-7.0	0.08-0.28
M16	5308 951	5308 941	3.5-10.0	0.14-0.39
M20	5309 620	5309 720	5.0-12.0	0.20-0.47
M20	5308 952	5308 942	7.0-14.0	0.28-0.55
M25	5309 625	5309 725	7.0-16.0	0.28-0.63
M25	5308 953	5308 943	9.0-18.0	0.35-0.71
M32	5309 632	5309 732	11.0-21.0	0.43-0.83
M32	5308 954	5308 944	14.0-25.0	0.55-0.98
M40	5309 640	5309 740	13.0-26.0	0.51-1.02
M40	5308 955	5308 945	18.0-32.0	0.71-1.26
M50	5309 650	5309 750	17.0-31.0	0.67-1.22
M50	5308 956	5308 946	24.0-38.5	0.95-1.52
M63	5309 663	5309 763	26.0-39.0	1.02-1.54
M63	5308 957	5308 947	35.0-48.0	1.38-1.89

Metric Locknuts

Thread Size	Cat. No.	
	Lt. Gray	Black
M12	7211 979	7211 974
M16	7211 980	7211 975
M20	7211 981	7211 976
M25	7211 982	7211 977
M32	7211 983	7211 978
M40	7100 570	7100 565
M50	7100 571	7100 566
M63	7100 572	7100 567

Temperature Range	
PA6	Neoprene
-40 to 100° C	-25 to 100° C
(-40 to 212° F)	(-13 to 212° F)

Extended Thread available consult Altech

Metric/NPT Dimensions

Thread Size	H mm	E mm	L mm	ØC mm	ØP mm	ØNPT/M mm
M12	15	6	30	6.7	6.8	12.0
M16	22	6	35	10.5	10.7	16.0
M20	27	8	41	14.5	14.5	20.0
M25	33	8	47	18.5	18.5	25.0
M32	42	10	52	25.5	25.5	32.0
M40	53	10	62	32.5	32.5	40.0
M50	60	12	67	39.0	39.0	50.0
M63	70	12	68	48.5	48.5	63.0
NPT 3/8	19	11	38	8.5	8.7	17.1
NPT 1/2	24	14	44	12.5	12.5	21.2
NPT 3/4	33	15	54	18.5	18.5	26.7
NPT 1	42	18	60	25.5	25.5	33.3

