

Process Pump

Series PA3000/5000, PAX1000

Series PB1000

Compact, high capacity diaphragm pump for transfer and recovery of a wide variety of fluids

- Long service life, 2 to 5 times that of conventional pumps
Incorporates a new diaphragm material.
Enlarged bore size and shortened stroke extend life.
(Compared to series PA2000)
- High abrasion resistance and low particle generation
No sliding parts in wetted areas.
- Self-priming makes priming unnecessary

Process pump Series PA3000/5000

Automatically operated type/Air operated type
(Internal switching type) (External switching type)



Automatically operated type

Compatible with a wide variety of fluids

Air operated type

Control with external switching valve makes constant cycling possible

Built-in pulsation attenuator Process pump Series PAX1000

Automatically operated type
(Internal switching type)

Prevents spraying of discharge and foaming in tank



Compact single acting Process pump Series PB1000

Built-in solenoid valve type/Air operated type
(External switching type) (External switching type)



A solenoid valve operated pump that fits in the palm of the hand

Variations

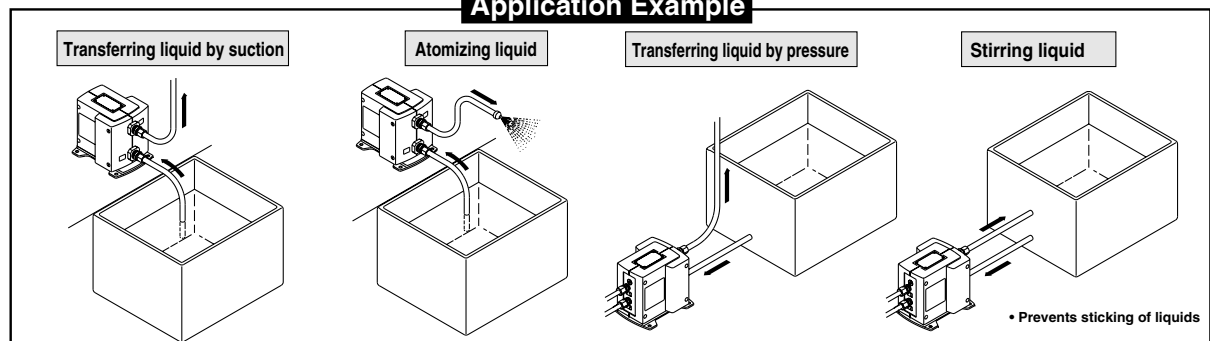
Series PA: Double Acting Pump

Series	Model	Action	Discharge flow rate (ℓ/min)	Material	
				Body	Diaphragm
PA3000	PA3□□0	Automatically operated type	1 to 20	ADC12 (Aluminum)	PTFE
	PA5□□0		5 to 45		
PA5000	PA3□13	Air operated type	0.1 to 12	SCS14 (Stainless steel)	PTFE
	PA5□13		1 to 24		
PAX1000	PAX1□12	Automatically operated type with built-in pulsation attenuator	0.5 to 10	ADC12 (Aluminum) SCS14 (Stainless steel)	PTFE

Series PB: Single Acting Pump

PB1000	PB1011	Built-in solenoid valve	0.008 to 2	Polypropylene	PTFE
	PB1013	Air operated type	0.008 to 0.5		

Application Example



VC□

VDW

VQ

VX2

VX□

VX3

VXA

VN□

LVC

LVA

LVH

LVD

LVQ

LQ

LVN

T/
TIL

PA

PAX

PB

Precautions 1

Be sure to read before handling. Refer to pages 17-6-3 to 17-6-10 for Safety Instructions and Solenoid Valve Precautions.

Caution on Design

Warning

1. Confirm the fluid to be used.

Be sure to confirm the specifications, as the fluids to be used differ depending on the product. When different fluids are used, characteristics change and this can cause faulty operation.

2. Fluid temperature

Use each model within its respective fluid temperature range.

3. Fluid quality

If fluid is used which contains foreign matter, troubles such as malfunction and seal failure may occur due to wearing of valve seats and sticking, etc. Install a suitable filter (strainer) immediately before the pump. As a general rule, mesh of about 80 to 100 can be used.

4. Be sure to observe the maximum operating pressure.

Operation above the maximum operating pressure can cause damage. In particular, avoid application of pressure above the specifications caused by water hammer.

<Example Pressure Reduction Measures>

- a) Use a water hammer relief valve and slow the valve's closing speed.
- b) Absorb impact pressure by using elastic piping material such as rubber, or an accumulator, etc.

5. Liquid seals

In cases with a flowing liquid, provide a by-pass valve in the system to prevent the liquid from entering the liquid seal circuit.

6. Quality of operating air

- 1) Use clean air.
Do not use compressed air which contains chemicals, synthetic oils containing organic solvents, salts or corrosive gases, etc., as these can cause damage or malfunction.
- 2) Install an air filter near valves on their upstream side.
Choose a filtration degree of 5 μm or finer. A mist separator (AM) is suitable.
- 3) Compressed air which includes a large amount of drainage can cause malfunction of valves and other pneumatic equipment. As a countermeasure, install an air dryer or after cooler, etc.
- 4) In situations where a large amount of carbon dust is generated, install a mist separator at the upstream side of valves to remove it. When a lot of carbon dust is generated from a compressor, it can adhere to the interior of valves and cause malfunction.
- 5) If a pump is operated by dried air and N₂ gas, etc., the deterioration of the gaskets inside the switching valve will be accelerated and may result in substantially shortening the life span of the product.
Refer to the SMC "Air Cleaning Equipment" catalog for details on air quality.

7. Ensure space for maintenance.

Be sure to allow the space required for maintenance and inspection.

8. Fluid properties

1. Do not use strong acids, strong bases or chemicals which can affect humans.
2. When inflammable fluids are transferred, give consideration to leakage during operation, and strictly prohibit flames. There is a danger of fire or explosion due to accidental leakage of the fluid.

9. Stopping the pump

- 1) Use a 3 port solenoid valve when starting or stopping an automatically operated type pump by means of pilot air. Do not use a 2 port solenoid valve. (In the case of a 2 port solenoid valve, the air pressure which remains after the solenoid valve closes is gradually consumed inside the process pump. This causes instability in the operating position of the pilot air switching unit, and it may become inoperable. Since the same kind of problem also occurs when the air supply pressure is gradually lost after operation is stopped, a 3 port solenoid valve should be used for stopping. When the unit will not be restarted, press the reset button.)
- 2) The solenoid valve used for the air operated type should be an exhaust center 5 port solenoid valve, or a combination of a residual pressure exhaust 3 port solenoid valve and a pump drive 4 port solenoid valve. (Refer to page 17-5-156.) If air in the drive chamber is not released when the pump is stopped, the diaphragm will be subjected to pressure and its life will be shortened. Make a selection after confirming the maximum operating frequency of a solenoid valve.
- 3) The air operated type can also be used for highly permeable fluids. In this case, since the exhaust contains gas from the fluid which permeates the diaphragm, employ measures to keep the exhaust from getting into the solenoid valve.
- 4) When an air operated pump is dry, operate the solenoid valve at a switching cycle of 1 to 7 Hz. If operated outside of this range, the suction lifting height may be less than the rated value.

10. Others

- 1) Test the unit before using it in an actual equipment application. Furthermore, even if there is no problem in a short term test, there are cases in which trouble is caused by permeation through the fluororesin diaphragm to the air side.
- 2) Since the compatibility of fluids differs depending on type, additives, concentration and temperature, etc., give careful attention to the selection of materials.
- 3) When used with gases, the prescribed performance may not be achieved.
- 4) Do not operate for an extended time without liquid in the pump.

Caution

1. Use a design which prevents reverse pressure and reverse flow.

If reverse pressure or flow occurs, this can cause equipment damage or malfunction, etc. Give attention to safety measures, including the method of handling.

⚠ Precautions 2

Be sure to read before handling. Refer to pages 17-6-3 to 17-6-10 for Safety Instructions and Solenoid Valve Precautions.

Selection

⚠ Warning

1. Confirm the specifications.

Give careful consideration to operating conditions such as the application, fluid and environment, and use within the operating ranges specified in this catalog.

2. Type of fluid

Operate only after confirming the materials and applicable fluids for each model to determine which fluids can be used.

3. Equipment selection

When selecting equipment, make a selection from the latest catalog, staying within specified operating ranges, and carefully confirming the purpose of use, the required specifications and the operating conditions (pressure, flow rate, temperature, environment). In case of any unclear points, contact SMC in advance.

Mounting

⚠ Warning

1. Instruction manual

The product should be mounted after reading the manual carefully and having a good understanding of its contents. The manual should also be kept where it can be referred to whenever necessary.

2. Confirm the mounting position.

- Since the mounting position is different for each piece of equipment, this point should be confirmed either in this catalog or in the instruction manual.
- The mounting orientation is limited. (Refer to page 17-5-141.) Mount with the bottom (foot hole or mounting hole side) facing down.
- Since the reciprocal motion of the diaphragm propagates, the mounting bolts should be tightened securely. Furthermore, in cases where the propagation of vibration is not acceptable, insert vibro-isolating rubber when mounting.

3. Ensure space for maintenance.

When installing and mounting, be sure to allow the space required for maintenance and inspections. Confirm the necessary maintenance space in the instruction manual for each piece of equipment.

4. Do not drop or bump.

Do not drop, bump or apply excessive impact (1000 m/s²) when handling.

5. Never mount in a place which will be used as a scaffold during piping work.

Damage can be caused if subjected to an excessive load.

Piping

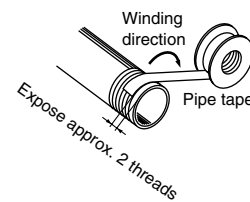
⚠ Caution

1. Preparation before piping

Before piping is connected, it should be thoroughly blown out with air (flushing) or washed to remove chips, cutting oil and other debris from inside the pipe.

2. Wrapping of pipe tape

When connecting pipes and fittings, etc., be sure that chips from the pipe threads and sealing material do not get inside the valve. Further, when pipe tape is used, leave 1.5 to 2 thread ridges exposed at the end of the threads.



3. Connection of piping to products

When connecting piping to a product, refer to its instruction manual to avoid mistakes regarding the supply port, etc.

4. Observance of tightening threads with the proper tightening torque.

When screwing fittings into valves, tighten with the proper tightening torques as shown below.

PAX1000, PA3000, PA5000

Connection threads	Proper tightening torque (N·m)
Rc 1/4	12 to 14
Rc 3/8	22 to 24
Rc 1/2	28 to 30
Rc 3/4	28 to 30

PB1000

Connection threads	Proper tightening torque (N·m)
M5	1/6 turn after tightening by hand
Rc 1/8	2 to 3

Since the threaded sections of the PB1000 are resin, take particular care not to tighten any more than necessary.

Air Supply

⚠ Warning

1. Do not use compressed air which contains chemicals, organic solvents or corrosive gases.

Do not use compressed air containing chemicals, organic solvents, salt or corrosive gases, as this can cause damage and malfunction, etc.

2. Use within the operating pressure range.

The operating pressure range is determined by the equipment being used. Operation beyond this range can cause damage, failure or malfunction, etc.

VC

VDW

VQ

VX2

VX

VX3

VXA

VN

LVC

LVA

LVH

LVD

LVQ

LQ

LVN

TI/
TIL

PA

PAX

PB

⚠ Precautions 3

Be sure to read before handling. Refer to pages 17-6-3 to 17-6-10 for Safety Instructions and Solenoid Valve Precautions.

Operating Environment

⚠ Warning

1. Do not use in the following environments, as this can cause failure.

- 1) Locations with an atmosphere of corrosive gases, organic solvents or chemical solutions, and where there may be contact with the same.
- 2) Locations where there is contact with sea spray, water or steam.
- 3) Locations where there is contact with direct sunlight. (Sunlight should be blocked to prevent deterioration of resin from ultra violet rays and over heating, etc.)
- 4) Locations near heat sources with poor ventilation. (Heat sources should be blocked off, because radiated heat may cause damage due to softening of materials.)
- 5) Locations with impact or vibration.
- 6) Locations with high moisture and dust.

2. Adhere to the fluid and ambient temperature ranges.

The fluid and ambient temperatures are determined by the equipment being used. Operation beyond this range can cause damage, failure or malfunction, etc.

3. Employ suitable protective measures in locations where there is contact with water droplets, oil or welding spatter, etc.

⚠ Caution

1. Operating environment

- Do not allow corrosive fluids or solvents, etc., to come into contact with the outer surfaces of the pump.
- Do not use in water (or other liquid). Fluid may leak into the pilot switching valve and there may be corrosion of external parts, etc.

2. Low temperature operation

Do not allow freezing. Operation is possible down to an ambient temperature of 0°C, but do not allow solidification or freezing of drainage and moisture, etc.

3. Fluid leakage

- Take measures to deal with leakage. Fluid may leak when the pump is in operation due to aging of the diaphragm, etc. Take measures so that leakage in this type of situation will not have an adverse effect on equipment or personnel.
- Be careful not to touch fluid which has leaked. There is a danger of burns or other injury to the skin if hot fluids or chemicals, etc., are touched.

4. Perform periodic inspections to confirm normal operation.

It may otherwise become impossible to assure safety in the event of unexpected malfunction or misoperation.

Maintenance

⚠ Warning

1. Shut off the compressed air if an abnormality occurs.

Stop the inflow of compressed air if there are abnormalities such as an unusual odor or sound.

2. Set the compressed air pressure to zero when performing maintenance.

In case of disassembly, first confirm that the pressure inside the pump is zero.

⚠ Caution

1. Do not step on or place heavy objects on the unit.

The equipment may be deformed or damaged, and if balance is lost, a fall may cause injury.

2. Discharge drain regularly.

If drain accumulates in equipment, in piping or other areas, this can cause malfunction of the equipment or unexpected trouble due to splash over into the downstream side, etc. Therefore, the amount of drainage and operation of auto drains should be checked every day.

3. Perform maintenance and inspection in accordance with the procedures in the instruction manual.

If handled improperly, this can cause damage or malfunction in machines and equipment, etc.

4. Perform demounting of the product in accordance with the procedures below.

1. Shut off the fluid supply and release the fluid pressure in the system.
2. In the case of the automatically operated type, shut off the air supply and exhaust the compressed air in the pilot piping.
3. Demount the product.

5. Transfer of dangerous fluids.

In case a dangerous fluid such as a strong acid or base is transferred by mistake, do not disassemble the product. There is a danger of serious injury if personnel come into contact with the remaining fluid.

⚠ Precautions 4

Be sure to read before handling. Refer to pages 17-6-3 to 17-6-10 for Safety Instructions and Solenoid Valve Precautions.

Maintenance

⚠ Caution

6. Concerning the life span of diaphragm and the maintenance of consumable items.

- Regular maintenance is required for Diaphragm, Check valve and Switching valve, etc.
- If the diaphragm is not functioning, the operating fluid may flow to the pilot air side and at the same time the operating air may flow out to the liquid circuit. This makes it impossible to restart the operation.
- Consider the pump operation (breathing, decline of discharge pressure, etc.) and reference service life of the diaphragm (referring to the table below) to conduct necessary maintenance as early as possible. With certain operating conditions, check valves and switch valves may experience malfunction earlier than the diaphragm. Please conduct periodic maintenance.
- When conducting maintenance, please use the parts indicated on the parts list (page 17-5-171) and do regular maintenance according to the manual and handling instructions.

* Referential number of the expected life span (Under room temperature, with fresh water)/Volume to be discharged per 1 cycle

Series	Diaphragm material		Volume to be discharged per 1 cycle
	PTFE	NBR	
PA3000 automatically operated type	100 million cycles	50 million cycles	Approx. 40 ml
PA5000 automatically operated type	50 million cycles	50 million cycles	Approx. 100 ml
PA3000 air operated type	50 million cycles	—	Approx. 22 ml
PA5000 air operated type	50 million cycles	—	Approx. 90 ml
PAX1000 built-in attenuator type	50 million cycles	—	Approx. 21 ml
PB1000 built-in solenoid valve type	20 million cycles	—	Approx. 4 to 5 ml

These values are for pilot air pressure of 0.5 MPa, ordinary temperatures, and fresh water, where 1 cycle is one reciprocal motion. This may be shorter depending on the type of fluid and operating conditions, etc.

• Calculation of diaphragm life

Example 1) Discharge rate 5 ℓ/min, when operating 8 h/D (for PAX1000)

$$\frac{\text{Discharge rate}}{\text{Discharge per cycle}} = \frac{5}{0.021} = \frac{238}{(\text{cycles/min})} \text{ Cycles per minute}$$

$$\begin{aligned} \text{Service life} &= \frac{\text{Reference life cycles}}{\text{Cycles per minute}} \times \frac{1}{60} \times \frac{1}{8} \text{ (Daily operating time)} \\ &= \frac{50,000,000}{238} \times \frac{1}{60} \times \frac{1}{8} \\ &= \mathbf{437 \text{ days}} \end{aligned}$$

Example 2) Discharge rate 5 ℓ/min, when operating 8 h/D (for PA3000 automatically operated type)

$$\frac{\text{Discharge rate}}{\text{Discharge per cycle}} = \frac{5}{0.040} = \frac{125}{(\text{cycles/min})} \text{ Cycles per minute}$$

$$\begin{aligned} \text{Service life} &= \frac{\text{Reference life cycles}}{\text{Cycles per minute}} \times \frac{1}{60} \times \frac{1}{8} \text{ (Daily operating time)} \\ &= \frac{100,000,000}{125} \times \frac{1}{60} \times \frac{1}{8} \\ &= \mathbf{1666 \text{ days}} \end{aligned}$$

Example 3) Discharge rate 5 ℓ/min, when operating 8 h/D (for PA5000 automatically operated type)

$$\frac{\text{Discharge rate}}{\text{Discharge per cycle}} = \frac{5}{0.100} = \frac{50}{(\text{cycles/min})} \text{ Cycles per minute}$$

$$\begin{aligned} \text{Service life} &= \frac{\text{Reference life cycles}}{\text{Cycles per minute}} \times \frac{1}{60} \times \frac{1}{8} \text{ (Daily operating time)} \\ &= \frac{50,000,000}{50} \times \frac{1}{60} \times \frac{1}{8} \\ &= \mathbf{2083 \text{ days}} \end{aligned}$$

Lubrication

⚠ Caution

1. The pump does not require lubrication.

In the event that it is lubricated, use turbine oil Class 1 ISO VG32 (with no additives). Refer to the brand names table given below for ISO VG342 sold by each company.

2. Do not lubricate the air operated type.

Turbine Oil Class 1 ISO VG32 (with no additives)

Viscosity classification cst (40°C)	ISO viscosity grade	32
Idemitsu Kosan Co., Ltd.		Turbine oil P-32
Nippon Mitsubishi Oil Corp.		Turbine oil 32(Mitsubishi turbine oil 32)
Cosmo Oil Co., Ltd.		Cosmo turbine 32
Japan Energy Corp.		Kyodo turbine oil 32
Kygnus Sekiyu Co.		Turbine oil 32
Kyushu Oil Co.		Stork turbine 32
Showa Shell Sekiyu K.K.		Turbin oil 32
Tonengeneral Sekiyu K.K.		General R turbine oil 32
Fuji Kosan Co., Ltd.		Fucoal turbine 32

3. Filters and strainers

- Be careful regarding clogging of filters and strainers.
- Replace filter elements after one year of use, or earlier if the amount of pressure drop reaches 0.1 MPa.
- Replace strainers when the amount of pressure drop reaches 0.1 MPa.
- Flush the drain from air filters regularly.

4. Lubrication

If operated with lubrication, be sure to continue the lubrication.

5. Storage

In the case of long term storage after use with water, etc., in thoroughly remove all moisture to prevent rust and deterioration of rubber materials.

VC VDW VQ VX2 VX VX3 VXA VN LVC LVA LVH LVD LVQ LQ LVN TI/
TIL PA PAX PB

Series PA/PAX/PB

⚠ Precautions 5

Be sure to read before handling. Refer to pages 17-6-3 to 17-6-10 for Safety Instructions and Solenoid Valve Precautions.

Fluid Compatibility

⚠ Caution

- Select models by choosing liquid contact materials suitable for the liquids to be transferred.
 - In liquid contact areas, aluminum is suitable for use with oils, and stainless steel is suitable for solvents and industrial water.
 - For the diaphragm material, nitrile rubber is suitable with inert liquids, and fluororesin is suitable with non-permeating liquids.
 - Use fluids which will not corrode the wetted parts materials.
- Transfer examples are shown below. Since the possible applications will change depending on operating conditions, be sure to confirm by means of experimentation.
- These products are not suitable for use in medical applications or with food products.
- Possible applications will change depending on additive agents. Take note of additives.
- Possible applications will change depending on impurities. Take note of impurities.
- Mixing of foreign substances will shorten service life. Operate with foreign substances removed.
- When transferring liquids subject to coagulation, take measures to prevent coagulation inside the pump.

Fluid Compatibility: Series PA3000/5000

Model	PA311 ₀ PA511 ₃	PA3120 PA5120	PA321 ₀ PA521 ₃	PA3220 PA5220
Body material	Aluminum (ADC12)		Stainless steel (SCS14)	
Diaphragm material	Fluoro resin	Nitrile rubber	Fluoro resin	Nitrile rubber
Examples of applicable liquids	Compatible liquids	Turbine oil	Methylethylketone, Acetone Flux, Isopropyl alcohol Inert solvents (High penetration liquids) *	Industrial water Inert solvents
	Incompatible liquids	Cleaning solvents, Water Acids, Bases High permeation liquids High penetration liquids Corrosive liquids	Cleaning solvents, Water Solvents, Acids, Bases High permeation liquids High penetration liquids Corrosive liquids	Corrosive liquids, Acids Bases High permeation liquids High penetration liquids

* The air operated type can also be used for highly permeable liquids. In that case, since the exhaust air will include gas from the fluid which permeates the diaphragm, implement measures to keep the exhaust air from going into the solenoid valve side.

Fluid Compatibility: Series PAX1000

Model	PAX1112	PAX1212
Body material	Aluminum (ADC12)	Stainless steel (SCS14)
Diaphragm material	Fluoro resin	Fluoro resin
Examples of applicable liquids	Compatible liquids	Methylethylketone, Acetone, Flux Isopropyl alcohol, Inert solvents
	Incompatible liquids	Cleaning solvents, Water, Acids, Bases High permeation liquids, High penetration liquids Corrosive liquids

Fluid Compatibility: Series PB1000

Model	PB1011	PB1013
Body material	Polypropylene (PP), Stainless steel (SUS316)	
Diaphragm material	Fluoro resin	
Examples of applicable liquids	Compatible liquids	Tap water, Detergents, Oils, Ethyl alcohol, Kerosene
	Incompatible liquids	Acids, Bases, Thinners, Flammable liquids

* Since the PB1011 has a built-in solenoid valve, it cannot be used for transfer of flammable fluids.

Process Pump Automatically Operated Type (Internal Switching Type) Series PA3000/5000



How to Order

PA 3 1 1 0 - [] 03 - []

Body size	
3	3/8 standard
5	1/2 standard

Material of body wetted areas	
1	ADC12 (Aluminum)
2	SCS14 (Stainless steel)

Diaphragm material	
1	PTFE
2	NBR

Option	
Nil	Body only
N	With silencer *

* For AIR EXH: AN200-02

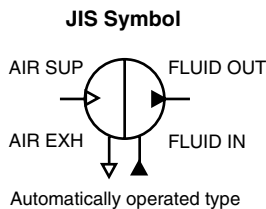
Port size	
03	3/8 (10A): PA3
04	1/2 (15A): PA5
06	3/4 (20A): PA5

Thread type	
Nil	Rc
T*	NPTF
F*	G
N*	NPT

* T, F, N are options.

Automatically operated type

Specifications

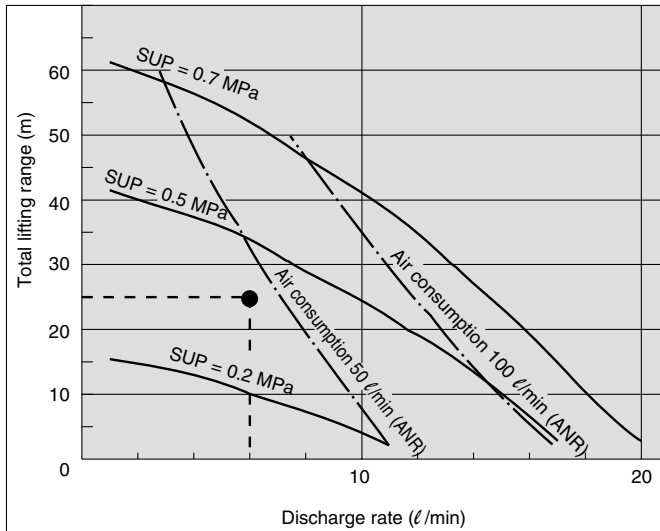


Model		Automatically operated type			
		PA31□0	PA32□0	PA51□0	PA52□0
Port size	Main fluid suction discharge port	3/8		1/2, 3/4	
	Pilot air supply/exhaust port	1/4			
Material	Body wetted areas	ADC12	SCS14	ADC12	SCS14
	Diaphragm	PTFE, NBR			
	Check valve	PTFE, PFA			
Discharge rate		1 to 20 ℓ/min		5 to 45 ℓ/min	
Average discharge pressure		0 to 0.6 MPa			
Pilot air consumption		Max. 200 ℓ/min (ANR)		Max. 300 ℓ/min (ANR)	
Suction lifting range	Dry	1 m (Interior of pump dry)		2 m (Interior of pump dry)	
	Wet	Up to 6 m (liquid inside pump)			
Operating fluid temperature		0 to 60°C (No freezing)			
Ambient temperature		0 to 60°C			
Pilot air pressure		0.2 to 0.7 MPa			
Withstand pressure		1.05 MPa			
Mounting orientation		Horizontal (with mounting foot at bottom)			
Weight		1.7 kg	2.2 kg	3.5 kg	6.5 kg

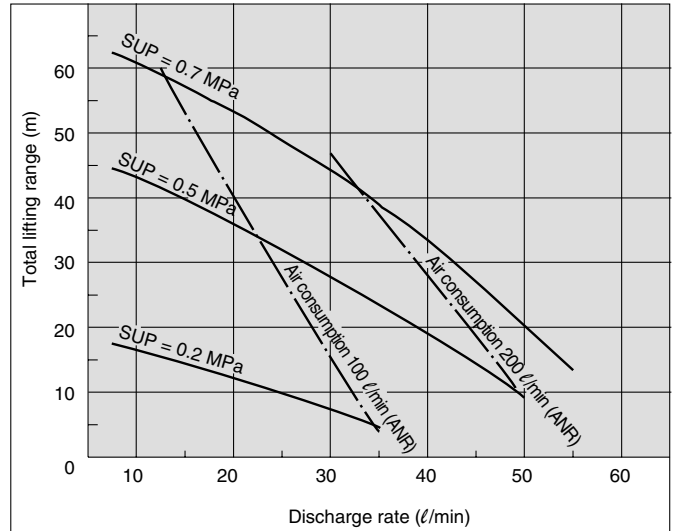
* Each value of above represents at normal temperatures with fresh water.

Performance Curve: Automatically Operated Type

PA3000 Flow Characteristics



PA5000 Flow Characteristics



Selection from Flow Characteristic Graph (PA3000)

Required specifications example:

Find the pilot air pressure and pilot air consumption for a discharge rate of 6 l/min and a total lifting range of 25 m. <The transfer fluid is fresh water (viscosity 1 mPa·s, specific gravity 1.0).

* If the discharge pressure is required instead of the total lifting height, a total lift of 10 m corresponds to discharge pressure of 0.1 MPa.

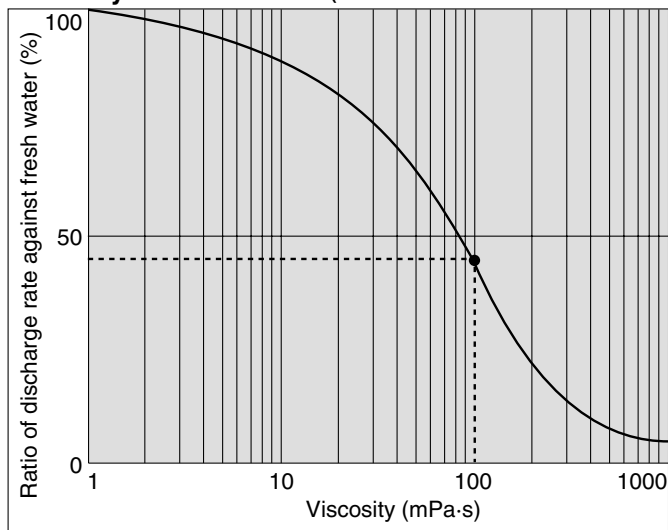
Selection procedures:

1. First mark the intersection point for a discharge rate of 6 l/min and a lifting range of 25 m.
2. Find the pilot air pressure for the marked point. In this case, the point is between the discharge curves (solid lines) for SUP = 0.2 MPa and SUP = 0.5 MPa, and based on the proportional relationship to these lines, the pilot air pressure for this point is approximately 0.38 MPa.
3. Next find the air consumption rate. Since the marked point is below the curve for 50 l/min (ANR), the maximum rate will be about 50 l/min (ANR).

⚠ Caution

1. These flow characteristics are for fresh water (viscosity 1 mPa·s, specific gravity 1.0).
2. The discharge rate differs greatly depending on properties (viscosity, specific gravity) of the fluid being transferred and operating conditions (lifting range, transfer distance), etc.
3. Use 0.75 kW per 100 l/min of air consumption as a guide for the relationship of the air consumption to the compressor.

Viscosity Characteristics (Flow rate correction for viscous fluids)



Selection from Viscosity Characteristic Graph

Required specifications example:

Find the pilot air pressure and pilot air consumption for a discharge rate of 2.7 l/min, a total lifting range of 25 m, and a viscosity of 100 mPa·s.

Selection procedures:

1. First find the ratio of the discharge rate for fresh water when viscosity is 100 mPa·s from the graph below. It is determined to be 45%.
2. Next, in the required specification example, the viscosity is 100 mPa·s and the discharge rate is 2.7 l/min. Since this is equivalent to 45% of the discharge rate for fresh water, $2.7 \text{ l/min} \div 0.45 = 6 \text{ l/min}$, indicating that a discharge rate of 6 l/min is required for fresh water.
3. Finally, find the pilot air pressure and pilot air consumption based on selection from the flow characteristic graphs.

⚠ Caution

Viscosities up to 1000 mPa·s can be used.
Dynamic viscosity ν = Viscosity μ /Density ρ .

$$\nu = \frac{\mu}{\rho}$$

$$\nu(10^{-3} \text{ m}^2/\text{s}) = \mu(\text{mPa}\cdot\text{s})/\rho(\text{kg}/\text{m}^3)$$

VC

VDW

VQ

VX2

VX

VX3

VXA

VN

LVC

LVA

L VH

LVD

L VQ

LQ

L VN

T/

TIL

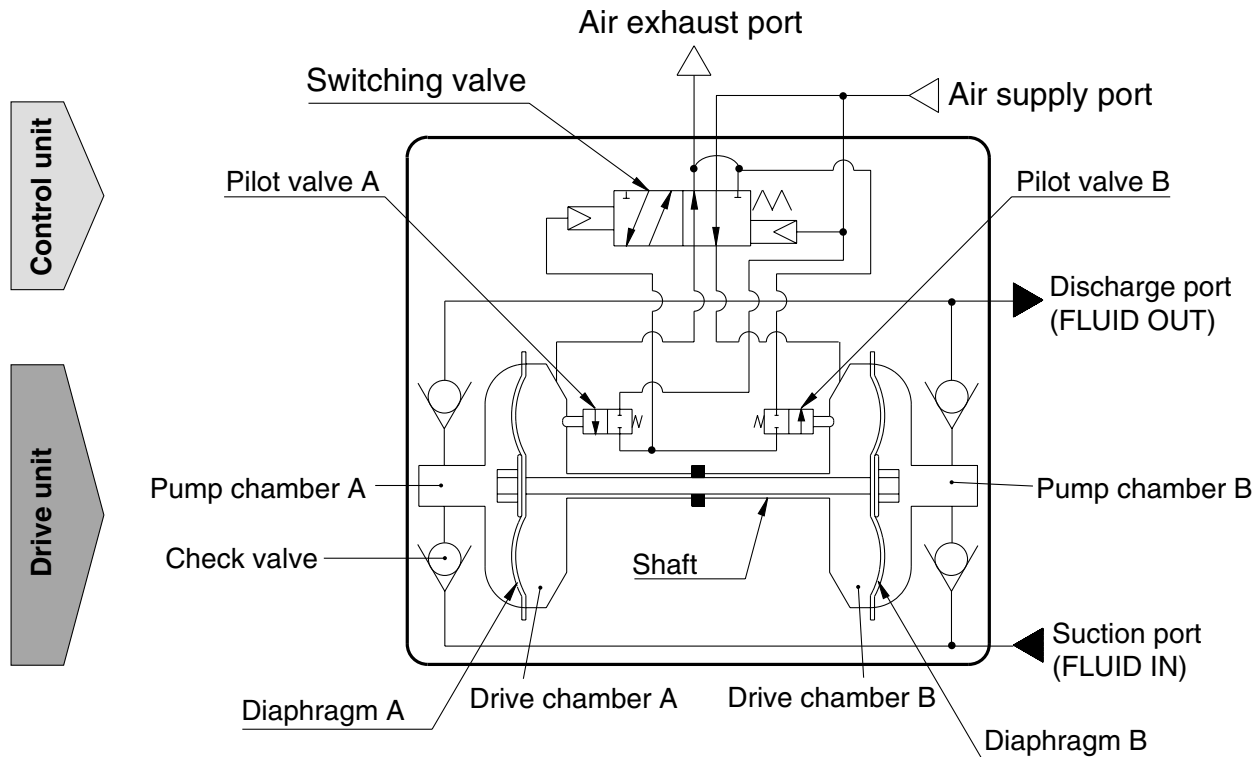
PA

PAX

PB

Series PA

Working Principle: Automatically Operated Type



Control unit

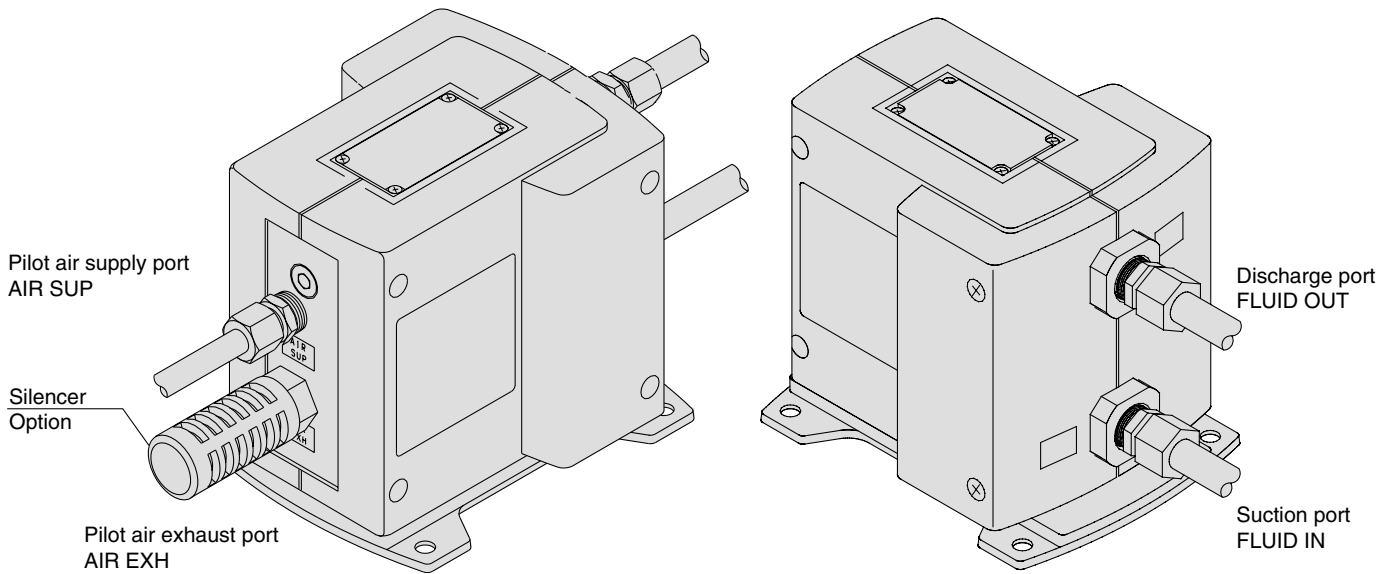
1. When air is supplied, it passes through the switching valve and enters drive chamber B.
2. Diaphragm B moves to the right, and at the same time diaphragm A also moves to the right pushing pilot valve A.
3. When pilot valve A is pushed, air acts upon the switching valve, drive chamber A switches to a supply state, and the air which was in drive chamber B is exhausted to the outside.
4. When air enters drive chamber A, diaphragm B moves to the left pushing pilot valve B.
5. When pilot valve B is pushed, the air which was acting upon the switching valve is exhausted, and drive chamber B once again switches to a supply state. A continuous reciprocal motion is generated by this repetition.

Drive unit

1. When air enters drive chamber B, the fluid in pump chamber B is forced out, and at the same time fluid is sucked into pump chamber A.
2. When the diaphragm moves in the opposite direction, the fluid in pump chamber A is forced out, and fluid is sucked into pump chamber B.
3. Continuous suction and discharge is performed by the reciprocal motion of the diaphragm.

Piping and Operation: Automatically Operated Type

Piping diagram



⚠ Caution

Mounting posture of the pump is set with the mounting bracket facing downward. Air to be supplied to the SUP port should be cleaned and filtered through AF filter, etc. Air with foreign matter or drainage etc. will have negative effects on the built-in solenoid valve and will lead to malfunction. When air needs additional purification, use a filter (Series AF), and a mist separator (Series AM) together. Maintain the proper tightening torque for fittings and mounting bolts, etc. Looseness can cause problems such as fluid and air leaks, while over tightening can cause damage to threads and parts, etc.

Operation

<Starting and Stopping> Refer to circuit example (1)

1. Connect air piping to the air supply port <AIR SUR> and connect piping for the fluid to be transferred to the suction port <FLUID IN> and the discharge port <FLUID OUT>.
2. Using a regulator, set the pilot air pressure within the range of 0.2 to 0.7 MPa. Then, the pump operates when power is applied to the 3 port solenoid valve of the air supply port <AIR SUP>, the sound of exhaust begins from the air exhaust port <AIR EXH> and fluid flows from the suction port <FLUID IN> to the discharge port <FLUID OUT>.
At this time, the ball valve on the discharge side is in an open state. The pump performs suction with its own power even without priming. (Dry state suction lifting range: max. 1 m) To restrict exhaust noise, attach a silencer (AN200-02: option) to the air exhaust port <AIR EXH>.
3. To stop the pump, exhaust the air pressure being supplied to the pump by the 3 port solenoid valve of the air supply port <AIR SUP>. The pump will also stop if the ball valve on the discharge side is closed.

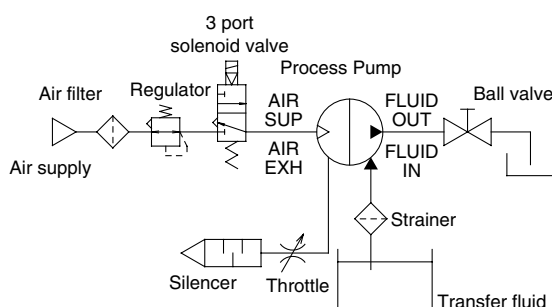
<Discharge Flow Rate Adjustment>

1. Adjustment of the flow rate from the discharge port <FLUID OUT> is performed with the ball valve connected on the discharge side or the throttle connected on the air exhaust side. For adjustment from the air side, use of the silencer with throttle ASN2 (port size 1/4) connected to the air exhaust port <AIR EXH> is effective. Refer to circuit example (1).
2. When operating with a discharge flow rate below the specification range, provide a by-pass circuit from the discharge side to the suction side to ensure the minimum flow rate inside the process pump. With a discharge flow rate below the minimum flow rate, the process pump may stop due to unstable operation. Refer to circuit example (2). (Minimum flow rates: PA3000 1 ℓ/min, PA5000 5 ℓ/min)

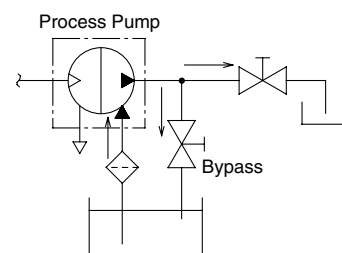
<Reset Button>

When the pump stops during operation, press the reset button. This makes it possible to restore operation in case the switching valve becomes clogged due to foreign matter in the supply air.

Circuit example (1)



Circuit example (2)



VC □

VDW

VQ

VX2

VX □

VX3

VXA

VN □

LVC

LVA

LVH

LVD

LVQ

LQ

LVN

T/
TIL

PA

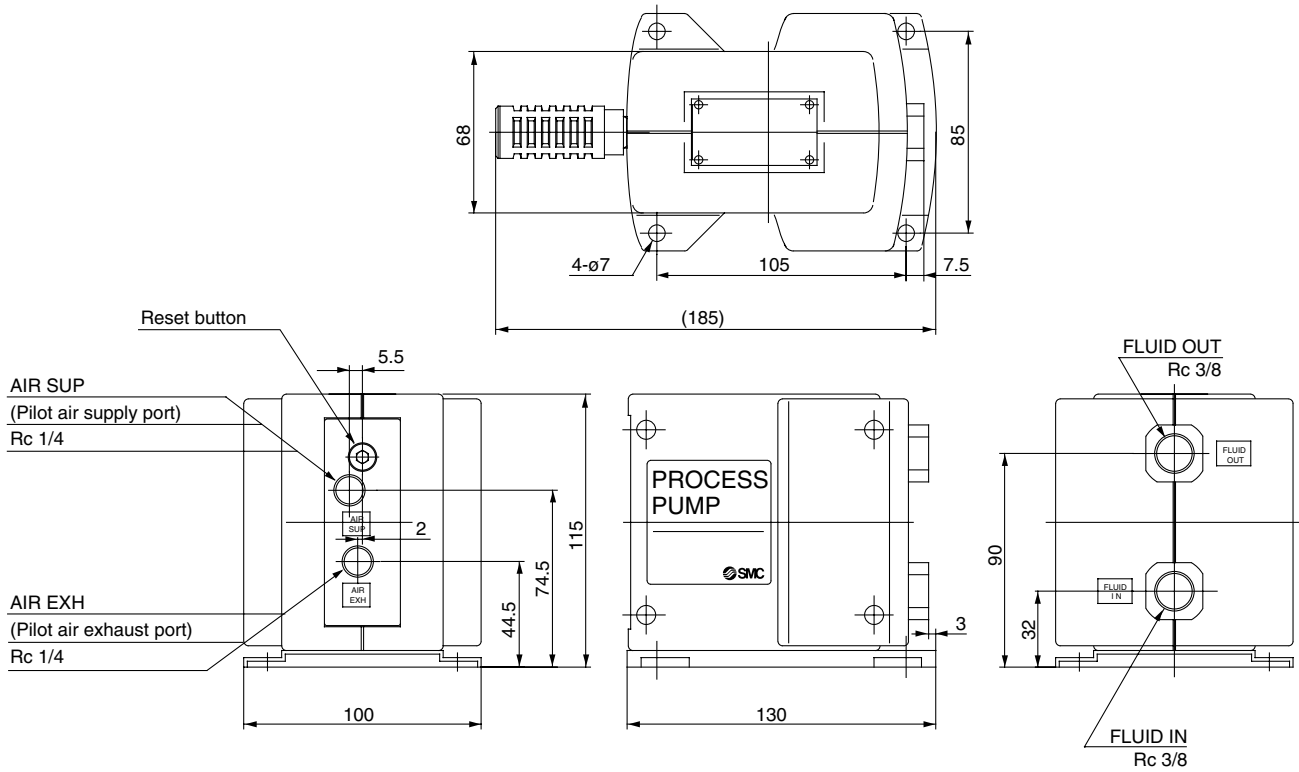
PAX

PB

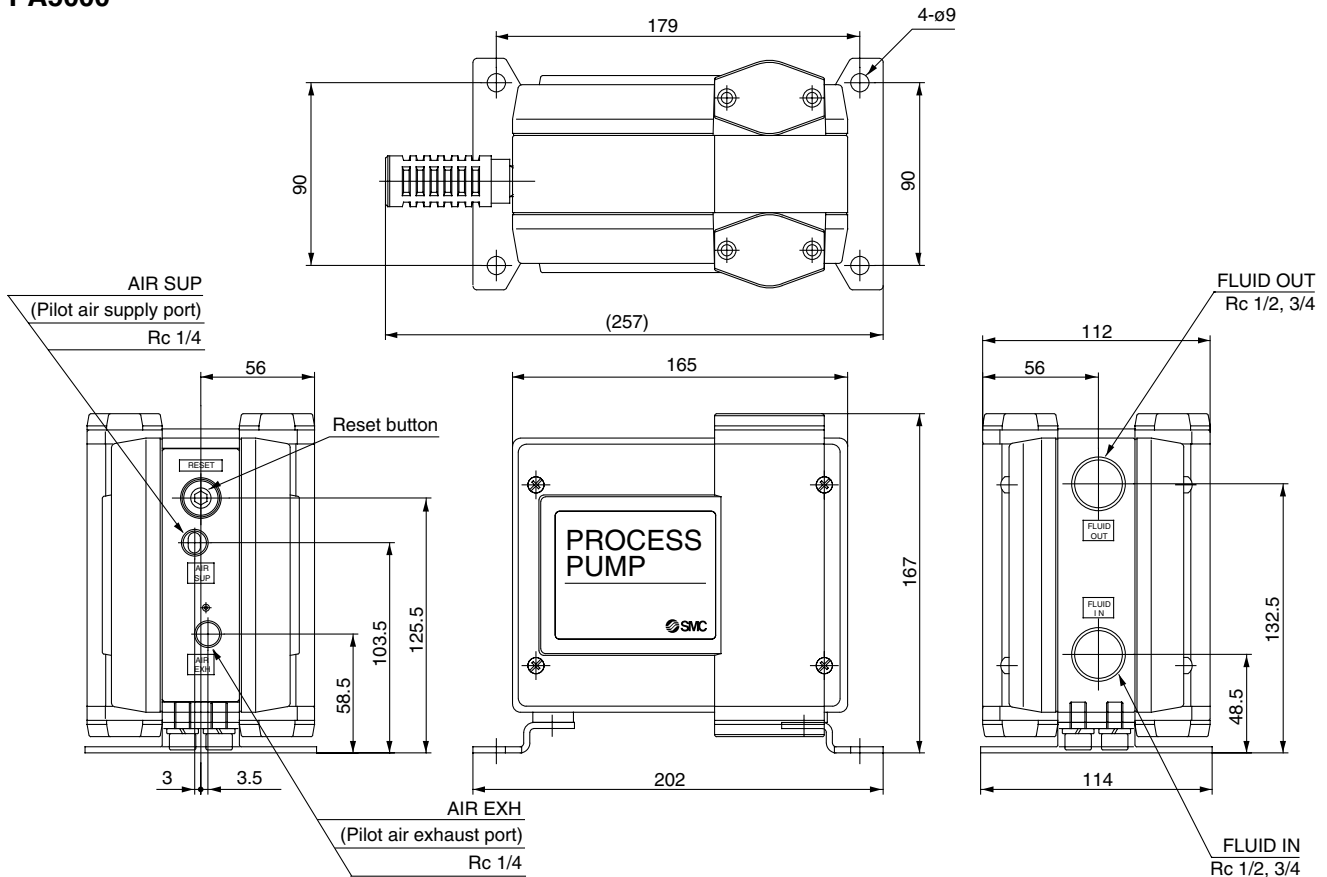
Series PA

Dimensions: Automatically Operated Type

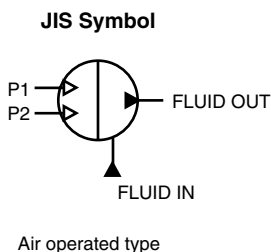
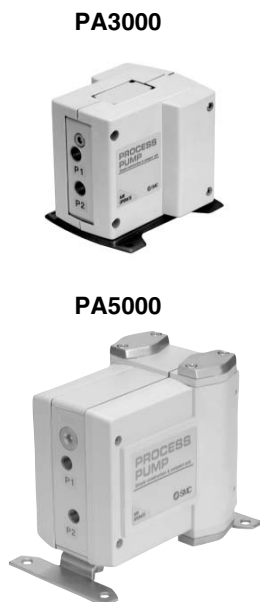
PA3000



PA5000



Process Pump Air Operated Type (External Switching Type) Series PA3000/5000



How to Order

PA 3 1 1 3 - 03

Body size	
3	3/8 standard
5	1/2 standard

Liquid contact body material	
1	ADC12 (Aluminum)
2	SCS14 (Stainless steel)

Diaphragm material	
1	PTFE

Port size	
03	3/8(10A): PA3
04	1/2(15A): PA5
06	3/4(20A): PA5

Thread type	
Nil	Rc
T*	NPTF
F*	G
N*	NPT

* T, F, N are options.

● Air operated type

Specifications

Model		Air operated type			
		PA3113	PA3213	PA5113	PA5213
Port size	Main fluid suction discharge port	3/8		1/2, 3/4	
	Pilot air supply/exhaust port	1/4			
Material	Body wetted areas	ADC12	SCS14	ADC12	SCS14
	Diaphragm	PTFE			
	Check valve	PTFE, PFA			
Discharge rate		0.1 to 12 ℓ/min		1 to 24 ℓ/min	
Average discharge pressure		0 to 0.4 MPa			
Pilot air consumption		Max. 150 ℓ/min (ANR)		Max. 250 ℓ/min (ANR)	
Suction lifting range ⁽¹⁾	Dry	Up to 1 m (Interior of pump dry)		Up to 0.5 m (Interior of pump dry)	
	Wet	Up to 6 m (Liquid inside pump)			
Fluid temperature		0 to 60°C (No freezing)			
Ambient temperature		0 to 60°C			
Pilot air pressure		0.1 to 0.5 MPa			
Withstand pressure		0.75 MPa			
Mounting position		Horizontal (with mounting foot at bottom)			
Weight		1.7 kg	2.2 kg	3.5 kg	6.5 kg
Recommended operating cycles		1 to 7 Hz (0.2 to 1 Hz also possible depending on conditions ⁽²⁾)			
Pilot air solenoid valve recommended Cv factor ⁽³⁾		0.20		0.45	

* Each value of above represents at normal temperatures with fresh water.

Note 1) With cycles at 2 Hz or more

Note 2) After initial suction of liquid operating at 1 to 7 Hz, it can be used with operation at lower cycles.

Since a large quantity of liquid will be pumped out, use a suitable throttle in the discharge port if problems occur.

Note 3) With a low number of operating cycles, even a valve with a small Cv factor can be operated.

Recommended Valve

PA3000	VQZ14□□ (Exhaust center)
PA5000	VQZ24□□ (Exhaust center)

Refer to page 17-5-160 for details.

VC□

VDW

VQ

VX2

VX□

VX3

VXA

VN□

LVC

LVA

LVH

LVD

LVQ

LQ

LVN

TI/
TIL

PA

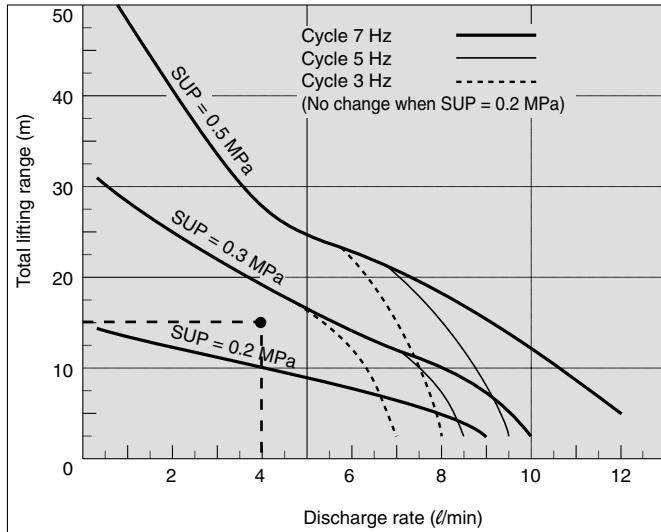
PAX

PB

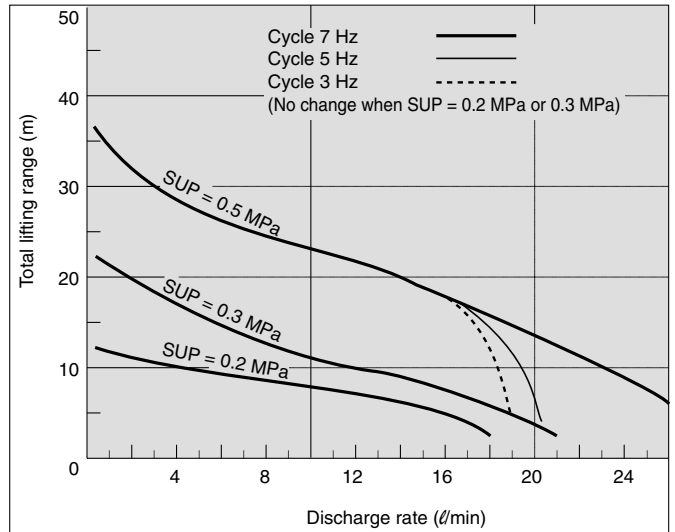
Series PA

Performance Curve: Air Operated Type

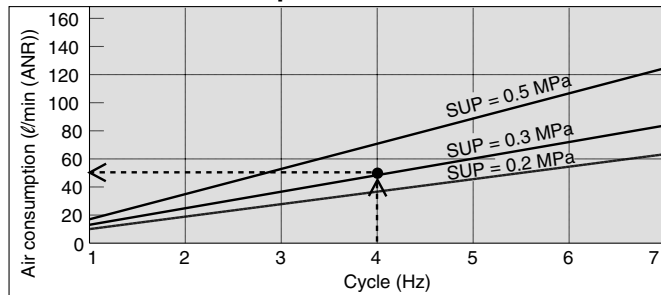
PA3□13 Flow Characteristics



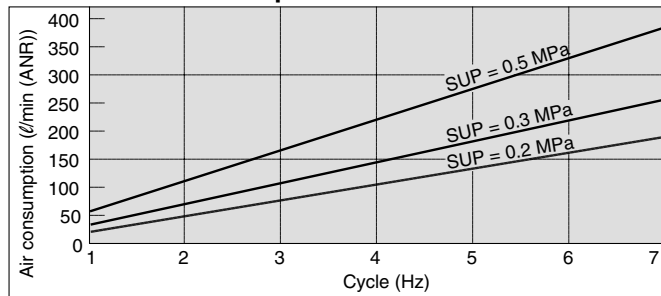
PA5□13 Flow Characteristics



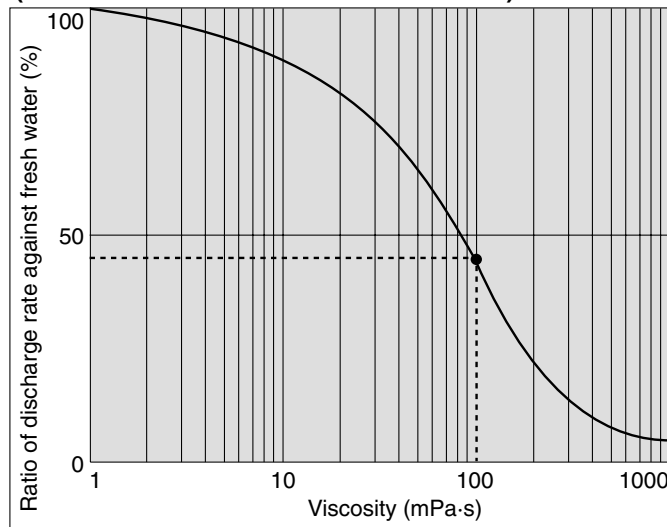
PA3□13 Air Consumption



PA5□13 Air Consumption



Viscosity Characteristics (Flow rate correction for viscous fluids)



Selection from Flow Characteristic Graph (PA3000)

Required specification example: Find the pilot air pressure and pilot air consumption for a discharge rate of 4 l/min and a total lifting range of 15 m. <The transfer fluid is fresh water (viscosity 1 mPa·s, specific gravity 1.0).>

Note 1) If the discharge pressure is required instead of the total lifting height, a total lift of 10 m corresponds to discharge pressure of 0.1 MPa.

Note 2) Discharge per cycle
 PA3000: Approx. 22 ml
 PA5000: Approx. 100 ml

Selection procedures:

1. First mark the intersection point for a discharge rate of 4 l/min and a lifting range of 15 m.
2. Find the pilot air pressure for the marked point. In this case, the point is between the discharge curves (solid lines) for SUP = 0.2 MPa and SUP = 0.3 MPa, and based on the proportional relationship to these lines, the pilot air pressure for this point is approximately 0.25 MPa.

Note 1) Even when switching cycles are changed for PA3000 with SUP = 0.2 MPa or PA5000 with SUP = 0.2 MPa or 0.3 MPa, there is almost no change in the lifting height.

Calculating Air Consumption (PA3000)

Find the air consumption for operation with a 4 Hz switching cycle and pilot air pressure of 0.3 MPa from the air consumption graph.

Selection procedures:

1. Look up from the 4 Hz switching cycle to find the intersection with SUP = 0.3 MPa.
2. From the point just found, draw a line to the Y-axis to find the air consumption. The result is approximately 50 l/min (ANR).

⚠ Caution

1. These flow characteristics are for fresh water (viscosity 1 mPa·s, specific gravity 1.0).
2. The discharge rate differs greatly depending on properties (viscosity, specific gravity) of the fluid being transferred and operating conditions (density, lifting range, transfer distance).

Selection from Viscosity Characteristic Graph

Required specification example: Find the pilot air pressure and pilot air consumption for a discharge rate of 2.7 l/min, a total lifting range of 25 m, and a viscosity of 100 mPa·s.

Selection procedures:

1. First find the ratio of the discharge rate for fresh water when viscosity is 100 mPa·s from the graph below. It is determined to be 45%.
2. Next, in the required specification example, the viscosity is 100 mPa·s and the discharge rate is 2.7 l/min. Since this is equivalent to 45% of the discharge rate for fresh water, $2.7 \text{ l/min} \div 0.45 = 6 \text{ l/min}$, indicating that a discharge rate of 6 l/min is required for fresh water.
3. Finally, find the pilot air pressure and pilot air consumption based on selection from the flow characteristic graphs.

⚠ Caution

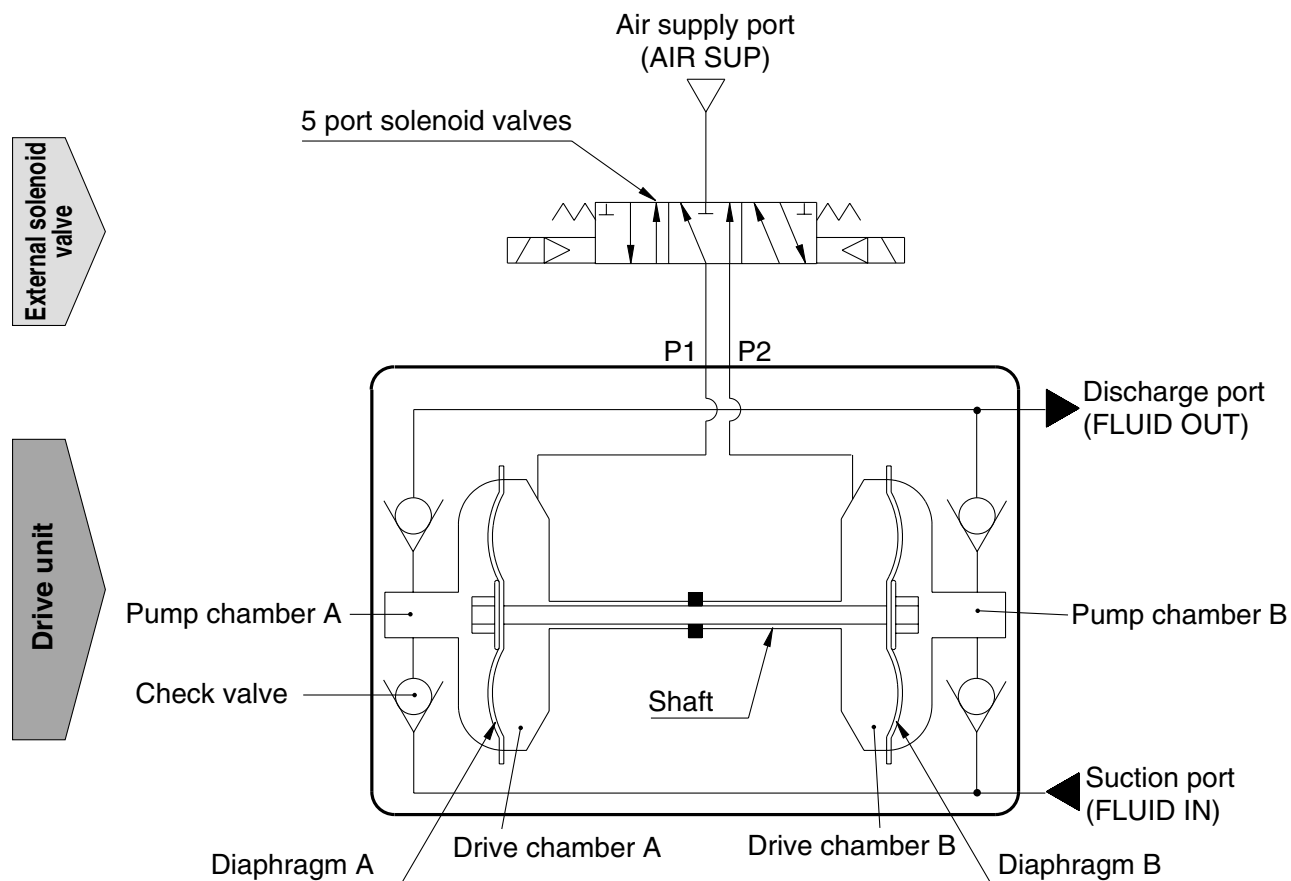
Viscosities up to 1000 mPa·s can be used.

Dynamic viscosity ν = Viscosity μ / Density ρ .

$$\nu = \frac{\mu}{\rho}$$

$$\nu(10^{-3} \text{ m}^2/\text{s}) = \mu(\text{mPa}\cdot\text{s})/\rho(\text{kg}/\text{m}^3)$$

Working Principle: Air Operated Type



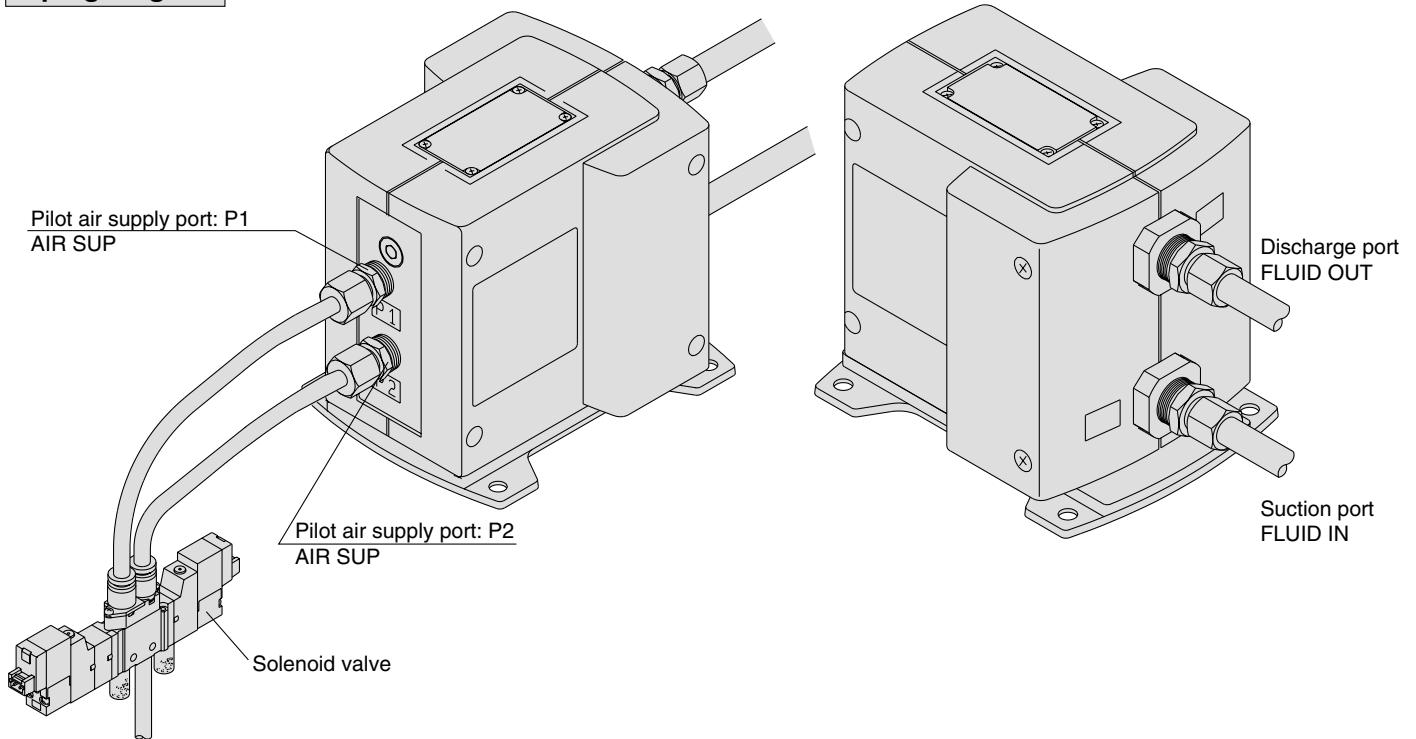
1. When air is supplied to P1 port, it enters drive chamber A.
2. Diaphragm A moves to the left, and at the same time diaphragm B also moves to the left.
3. The fluid in pump chamber A is forced out to the discharge port, and the fluid is sucked into pump chamber B from the suction port.
4. If air is supplied to the P2 port, the opposite will occur. Continuous suction and discharge of fluid is performed by repeating this process with the control of an external solenoid valve (5 port valve).

VC□
VDW
VQ
VX2
VX□
VX3
VXA
VN□
LVC
LVA
L VH
LVD
L VQ
LQ
LVN
T/ TIL
PA
PAX
PB

Series PA

Piping and Operation: Air Operated Type

Piping diagram



⚠ Caution

Maintain the proper tightening torque for fittings and mounting bolts, etc. Looseness can cause problems such as fluid and air leaks, while over tightening can cause damage to threads and parts, etc.

Operation

<Starting and Stopping> Refer to circuit example

1. Connect air piping ⁽¹⁾ to the pilot air supply port <P1>, <P2> and connect piping for the fluid to be transferred to the suction port <FLUID IN> and the discharge port <FLUID OUT>.
2. Using a regulator, set the pilot air pressure within the range of 0.1 to 0.5 MPa. Then, the pump operates when power is applied to the solenoid valve ⁽²⁾ of the pilot air supply port and fluid flows from the suction port <FLUID IN> to the discharge port <FLUID OUT>. At this time, the ball valve on the discharge side is in an open state. The pump performs suction with its own power even without priming. (Dry state suction lifting range: PA3 1 m, PA5 up to 0.5 m ⁽³⁾) To restrict exhaust noise, attach a silencer to the solenoid valve air exhaust port.
3. To stop the pump, exhaust the air pressure being supplied to the pump with the solenoid valve of the air supply port.

Note 1) When used for highly permeable fluids, the solenoid valve may malfunction due to the gas contained in the exhaust. Implement measures to keep the exhaust from going to the solenoid valve side.

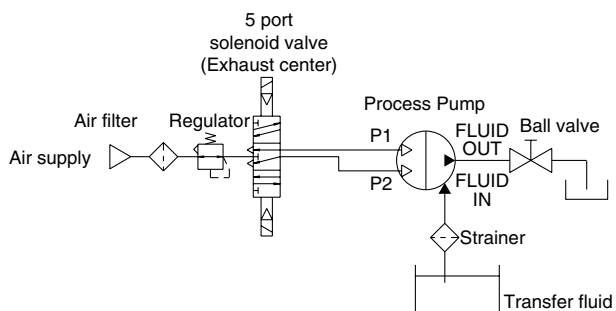
Note 2) For the solenoid valve, use an exhaust center 5 port valve, or a combination of residual exhaust 3 port valve and a pump drive 4 port valve. If air in the drive chamber is not released when the pump is stopped, the diaphragm will be subjected to pressure and its life will be shortened.

Note 3) When the pump is dry, operate the solenoid valve at a switching cycle of 1 to 7 Hz. If operated outside of this range, the suction lifting height may not reach the prescribed value.

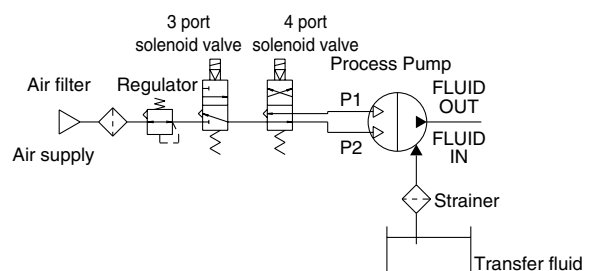
<Discharge Flow Rate Adjustment>

1. The flow rate from the discharge port <FLUID OUT> can be adjusted easily by changing the switching cycle of the solenoid valve on the air supply port.

Circuit example (1)



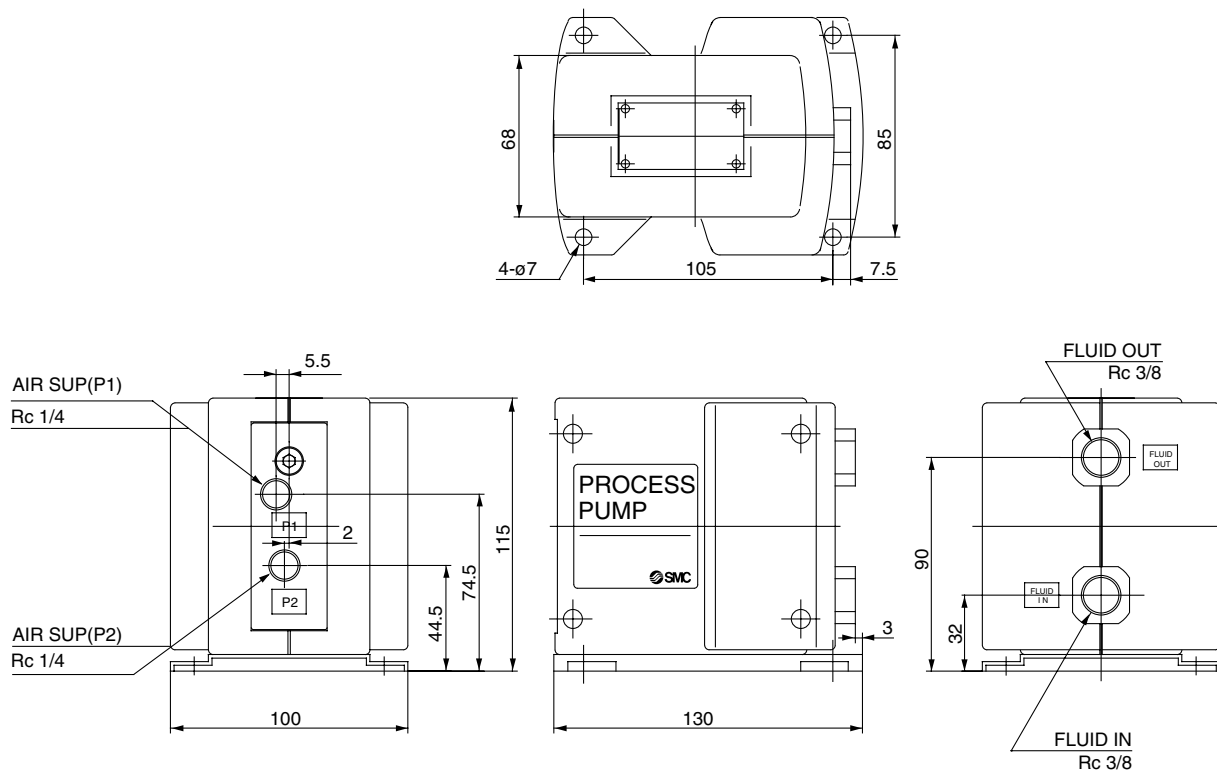
Circuit example (2)



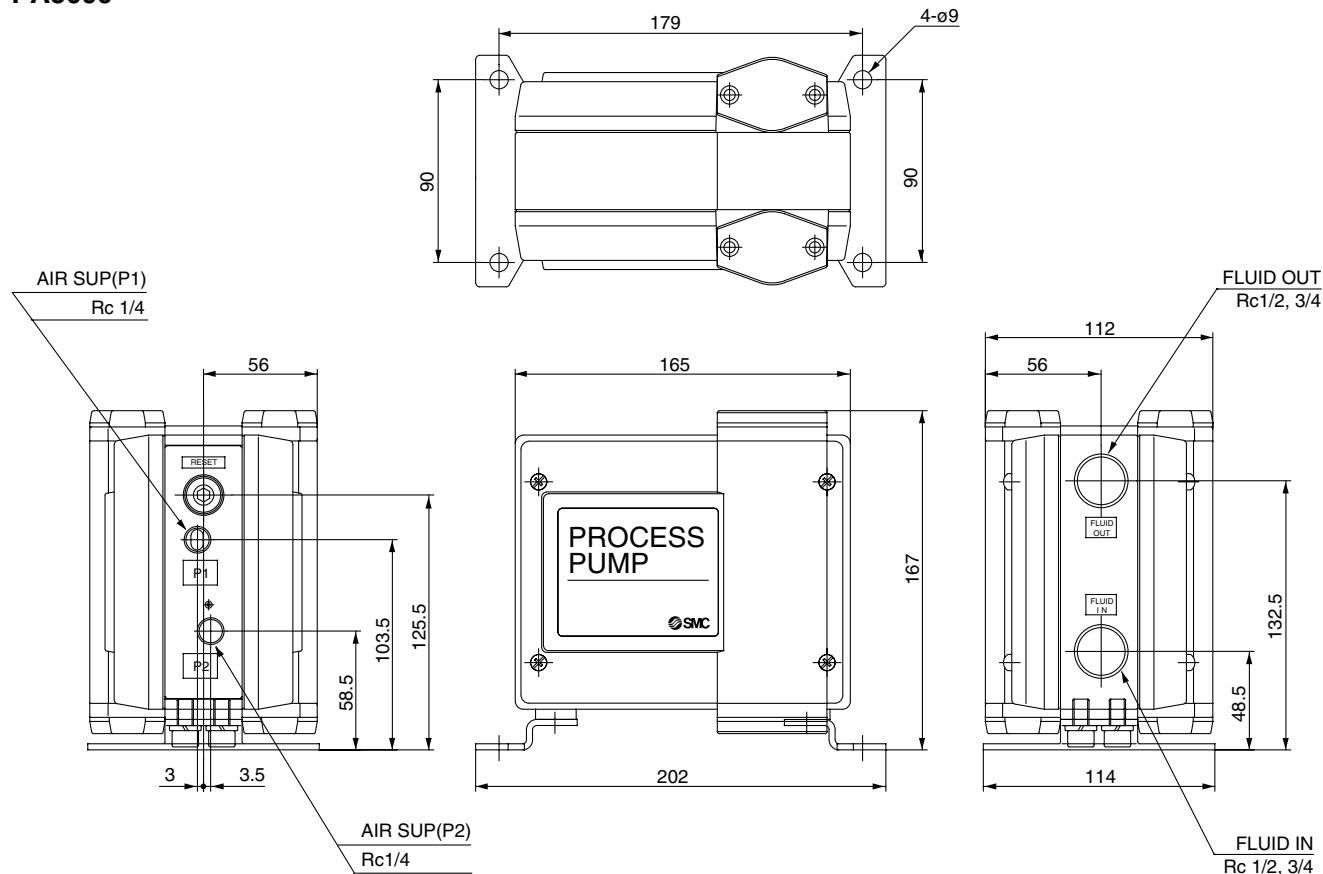
Process Pump: Air Operated Type (External Switching Type) **Series PA**

Dimensions: Air Operated Type

PA3000



PA5000

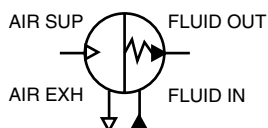


- VC
- VDW
- VQ
- VX2
- VX
- VX3
- VXA
- VN
- LVC
- LVA
- L VH
- LVD
- LVQ
- LQ
- LVN
- TI/
TIL
- PA**
- PAX
- PB

Process Pump Automatically Operated Type, Built-in Pulsation Attenuator (Internal Switching Type) Series *PAX1000*



JIS Symbol



Automatically operated type,
built-in pulsation attenuator

How to Order

PAX1 1 1 2 — 02 —

Body material

1	ADC12 (Aluminum)
2	SCS14 (Stainless steel)

Diaphragm material

1	PTFE (Fluoro resin)
---	---------------------

Type

2	Automatically operated type built-in pulsation attenuator
---	--

Option

Nil	Body only
N	With silencer *

* For AIR EXH: AN200-02

Port size

02	1/4 (8A)
03	3/8 (10A)

Thread type

Nil	Rc
T*	NPTF
F*	G
N*	NPT

* T, F, N are options.

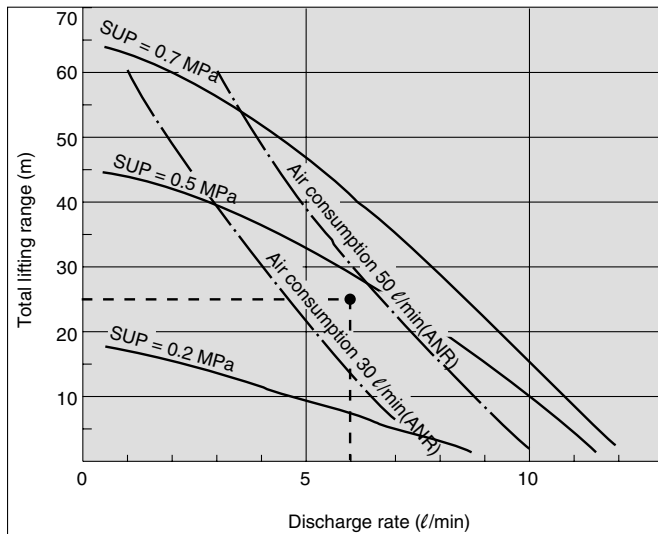
Specifications

Model		PAX1112	PAX1212
Port size	Main fluid suction discharge port	1/4, 3/8	
	Pilot air supply/exhaust port	1/4	
Material	Body wetted areas	ADC12	SCS14
	Diaphragm	PTFE	
	Check valve	PTFE, SCS14	
Discharge rate		0.5 to 10 ℓ/min	
Average discharge pressure		0 to 0.6 MPa	
Pilot air consumption		Max. 150 ℓ/min (ANR)	
Suction lifting range	Dry	Up to 2 m (Interior of pump dry)	
	Wet	Up to 6 m (Liquid inside pump)	
Discharge pulsation attenuating capacity		30% or less of maximum discharge pressure	
Fluid temperature		0 to 60°C (No freezing)	
Ambient temperature		0 to 60°C	
Pilot air pressure		0.2 to 0.7 MPa	
Withstand pressure		1.05 MPa	
Mounting position		Horizontal (Bottom facing down)	
Weight		2.0 kg	3.5 kg

* Each value of above represents at normal temperatures with fresh water.

Performance Curve: Automatically Operated Type, Built-in Pulsation Attenuator

PAX1000 Flow Characteristics



Selection from Flow Characteristic Graph

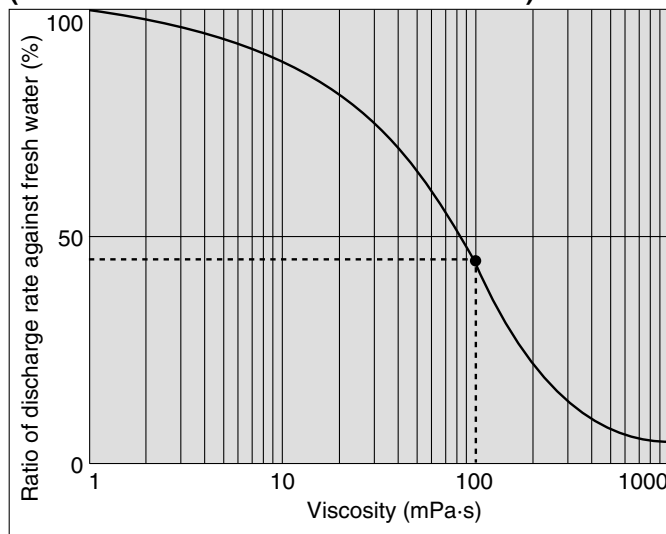
Required specification example:

Find the pilot air pressure and pilot air consumption for a discharge rate of 6 l/min and a total lifting range of 25 m. <The transfer fluid is fresh water (viscosity 1 mPa·s, specific gravity 1.0).>

* If the discharge pressure is required instead of the total lifting height, a total lift of 10 m corresponds to discharge pressure of 0.1 MPa.

1. First mark the intersection point for a discharge rate of 6 l/min and a lifting range of 25 m.
2. Find the pilot air pressure for the marked point. In this case, the point is between the discharge curves (solid lines) for SUP = 0.2 MPa and SUP = 0.5 MPa, and based on the proportional relationship to these lines, the pilot air pressure for this point is approximately 0.45 MPa.
3. Next find the air consumption. Since the marked point is below the curve for 50 l/min (ANR), the maximum rate will be about 50 l/min (ANR).

**Viscosity Characteristics
(Flow rate correction for viscous fluids)**



Selection from Viscosity Characteristic Graph

Required specification example:

Find the pilot air pressure and pilot air consumption for a discharge rate of 2.7 l/min, a total lifting range of 25 m, and a viscosity of 100 mPa·s.

Selection procedures

1. First find the ratio of the discharge rate for fresh water when viscosity is 100 mPa·s from the graph below. It is determined to be 45%.
2. Next, in the required specification example, the viscosity is 100 mPa·s and the discharge rate is 2.7 l/min. Since this is equivalent to 45% of the discharge rate for fresh water, $2.7 \text{ l/min} \div 0.45 = 6 \text{ l/min}$, indicating that a discharge rate of 6 l/min is required for fresh water.
3. Finally, find the pilot air pressure and pilot air consumption

⚠ Caution

Viscosities up to 1000 mPa·s can be used.
Dynamic viscosity $\nu = \text{Viscosity } \mu / \text{Density } \rho$.

$$\nu = \frac{\mu}{\rho}$$

$$\nu = \nu(10^{-3} \text{m}^2/\text{s}) = \mu(\text{mPa}\cdot\text{s}) / \rho(\text{kg}/\text{m}^3)$$

VC

VDW

VQ

VX2

VX

VX3

VXA

VN

LVC

LVA

LVH

LVD

LVQ

LQ

LVN

TI/
TIL

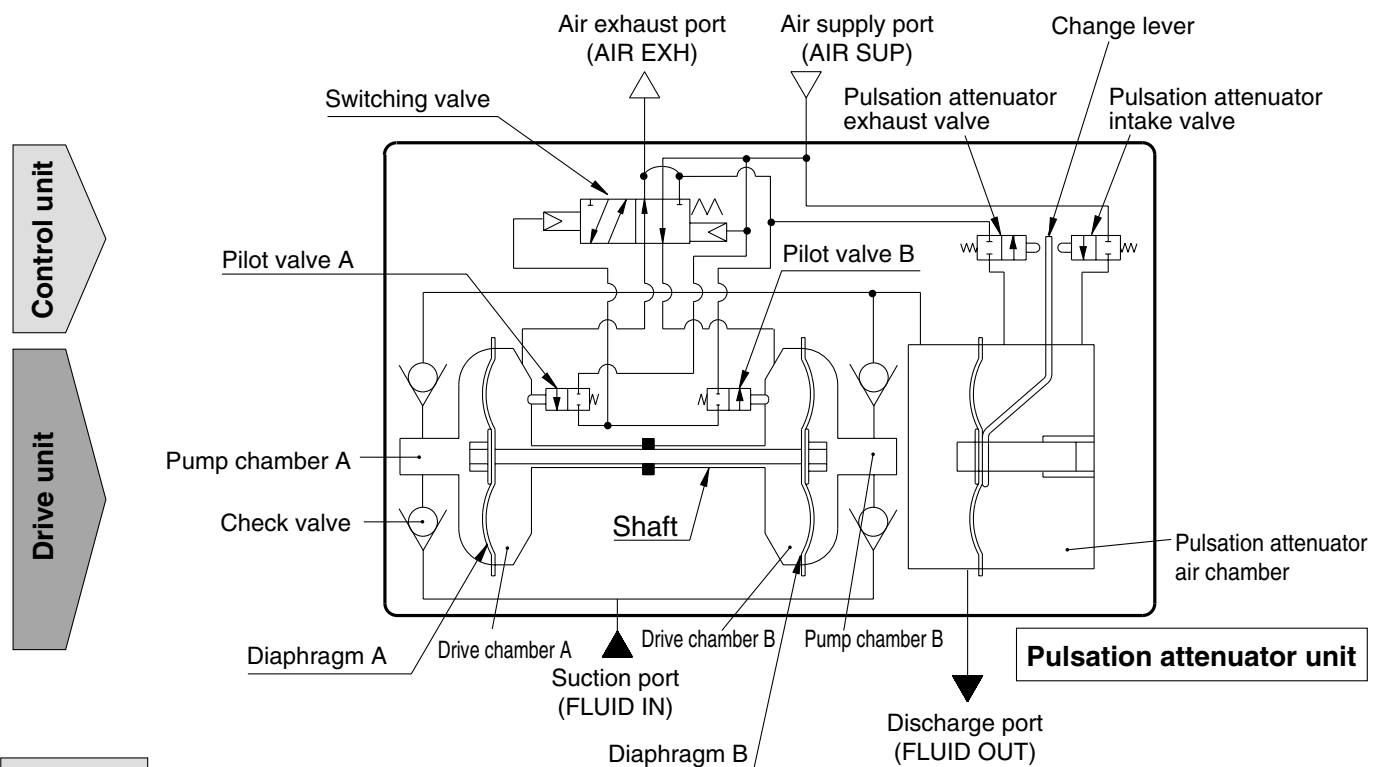
PA

PAX

PB

Series PAX

Working Principle: Automatically Operated Type, Built-in Pulsation Attenuator



Control unit

1. When air is supplied, it passes through the switching valve and enters drive chamber B.
2. Diaphragm B moves to the right, and at the same time diaphragm A also moves to the right pushing pilot valve A.
3. When pilot valve A is pushed, air acts upon the switching valve, drive chamber A switches to a supply state, and the air which was in drive chamber B is exhausted to the outside.
4. When air enters drive chamber A, diaphragm B moves to the left pushing pilot valve B.
5. When pilot valve B is pushed, the air which was acting upon the switching valve is exhausted, and drive chamber B once again switches to a supply state. A continuous reciprocal motion is generated by this repetition.

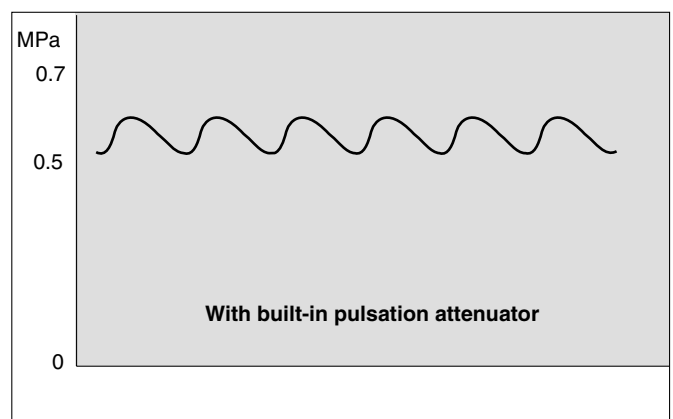
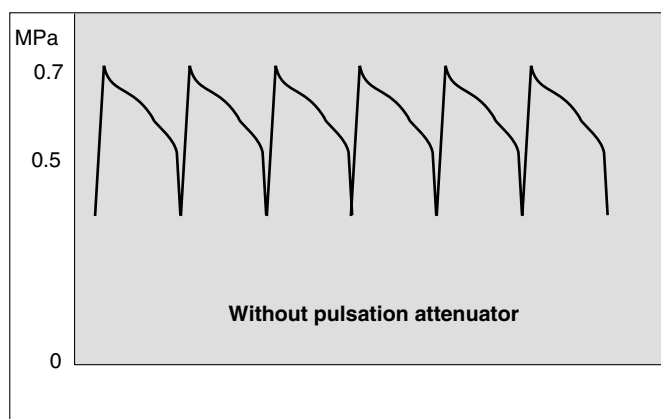
Drive unit

1. When air enters drive chamber B, the fluid in pump chamber B is forced out, and at the same time fluid is sucked into pump chamber A.
2. When the diaphragm moves in the opposite direction, the fluid in pump chamber A is forced out, and fluid is sucked into pump chamber B.
3. The pressure of the fluid that is forced out of the pump chamber is adjusted in the pulsation attenuation chamber and is then exhausted.
4. Continuous suction/discharge is performed by the reciprocal motion of the diaphragm.

Pulsation attenuation chamber

1. Pulsation is attenuated by the elastic force of the diaphragm and air in the pulsation attenuation chamber.
2. When the pressure in the pulsation attenuation chamber rises, the change lever presses the pulsation attenuator intake valve, and air enters the pulsation attenuator air chamber.
3. Conversely, when pressure drops, the change lever presses the pulsation attenuator exhaust valve, exhausting the air from the air chamber and keeping the diaphragm in a constant position. Note that some time is required for the pulsation attenuator to operate normally.

Pulsation Attenuating Capacity

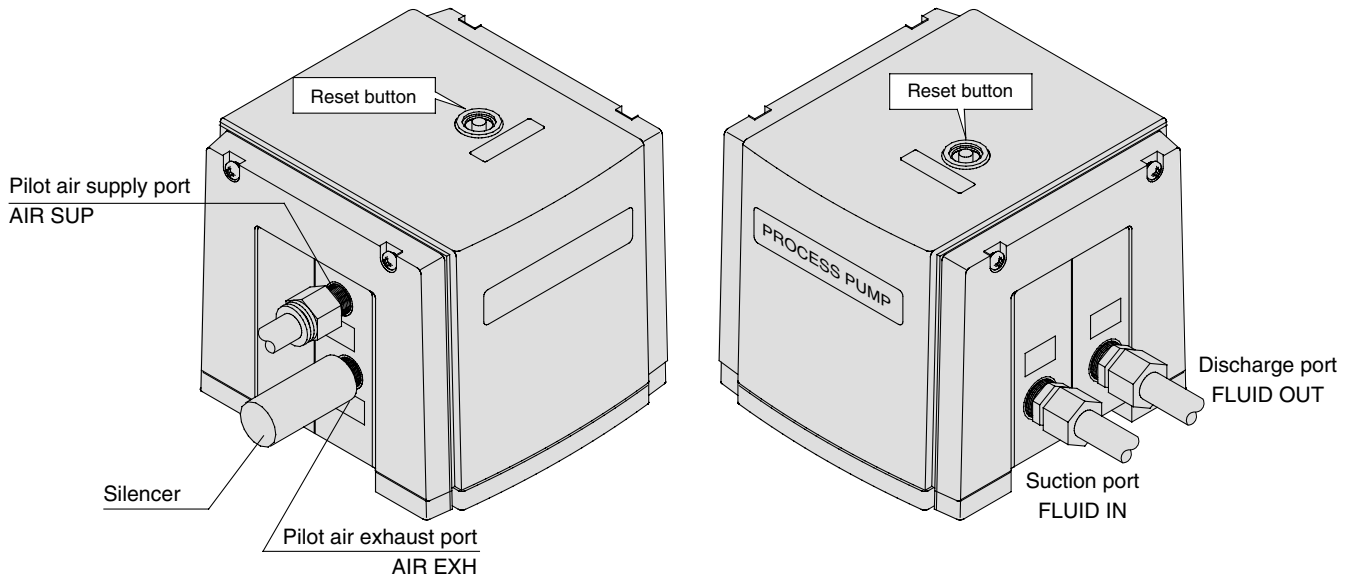


The process pump generates pulsation because it discharges a liquid using two diaphragms. The pulsation attenuator absorbs pressure when discharge pressure increases, and compensates the pressure when discharge pressure decreases. By this means pulsation is controlled.

Process Pump: Automatically Operated Type with Built-in Pulsation Attenuator (Internal Switching Type) Series PAX

Piping: Automatically Operated Type, Built-in Pulsation Attenuator

Piping diagram



⚠ Caution

Maintain the proper tightening torque for fittings and mounting bolts, etc. Looseness can cause problems such as fluid and air leaks, while over tightening can cause damage to threads and parts, etc.

Operation

<Starting and Stopping> Refer to circuit example (1)

1. Connect air piping to the air supply port <AIR SUP> and connect piping for the fluid to be transferred to the suction port <FLUID IN> and the discharge port <FLUID OUT>.
2. Using a regulator, set the pilot air pressure within the range of 0.2 to 0.7 MPa. Then, the pump operates when power is applied to the 3 port solenoid valve of the air supply port <AIR SUP>, the sound of exhaust begins from the air exhaust port <AIR EXH> and fluid flows from the suction port <FLUID IN> to the discharge port <FLUID OUT>. At this time, the ball valve on the discharge side is in an open state. The pump performs suction with its own power even without priming. (Dry state suction lifting range: max. 2 m) To restrict exhaust noise, attach a silencer (AN200-02: option) to the air exhaust port <AIR EXH>.
3. To stop the pump, exhaust the air pressure being supplied to the pump by the 3 port solenoid valve of the air supply port <AIR SUP>. The pump will also stop if the ball valve on the discharge side is closed.

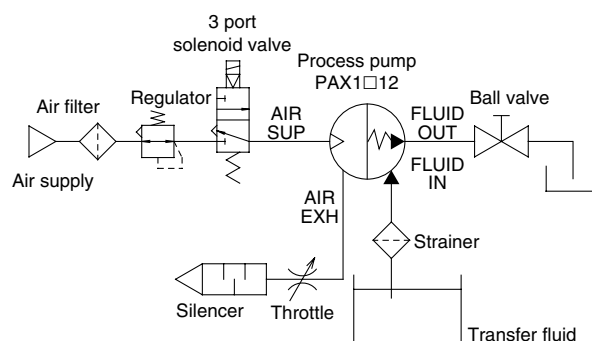
<Discharge Flow Rate Adjustment>

1. Adjustment of the flow rate from the discharge port <FLUID OUT> is performed with the ball valve connected on the discharge side or the throttle connected on the air exhaust side. For adjustment from the air side, use of the silencer with throttle ASN2 (port size 1/4) connected to the air exhaust port <AIR EXH> is effective. Refer to circuit example (1).
2. When operating with a discharge flow rate below the specification range, provide a bypass circuit from the discharge side to the suction side to ensure the minimum flow rate inside the process pump. With a discharge flow rate below the minimum flow rate, the process pump may stop due to unstable operation. (Minimum flow rate: PAX1000 0.5 ℓ/min)

<Reset Button>

1. When the pump stops during operation, press the reset button. This makes it possible to restore operation in case the switching valve becomes clogged due to foreign matter in the supply air.

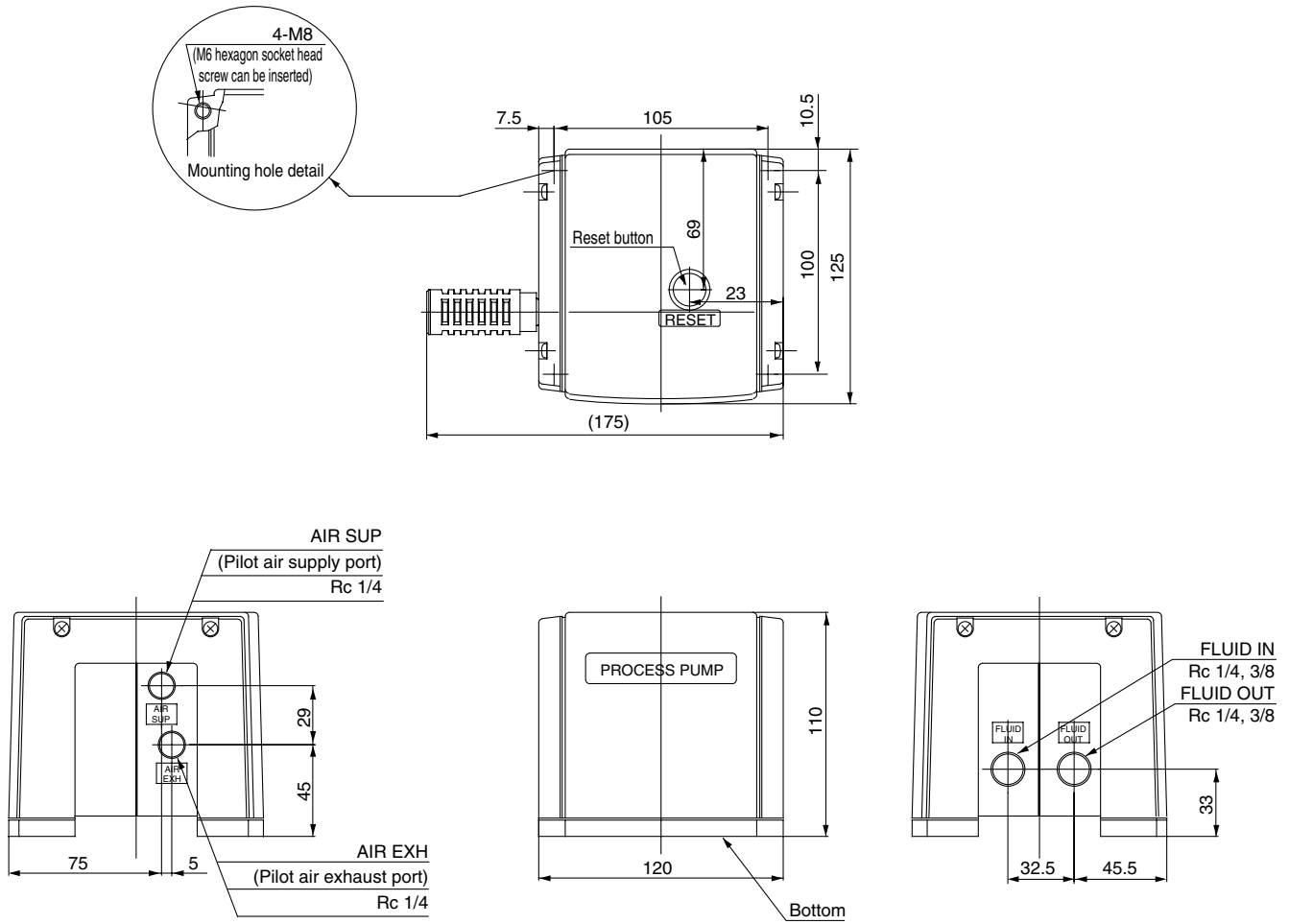
Circuit example (1)



VC□
VDW
VQ
VX2
VX□
VX3
VXA
VN□
LVC
LVA
L VH
LVD
LVQ
LQ
LVN
TI/ TIL
PA
PAX
PB

Series PAX

Dimensions



Related Products:

Process pump High purity fluoropolymer type **Series PA3000**

New PFA is adopted in the wetted parts! High corrosion resistance is achieved.

Cleanliness

Assembled in a **clean room** and duplex-packed. (PAP331□) Besides, sidebody and port are made of **molded piece**, that has enabled to generate lower particulate.

Long service life

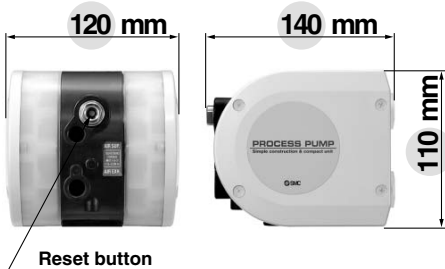
Durability has been improved by adopting the **denaturated PTFE** for the diaphragm. Long service life has been realized.

Air-operated reset is provided as standard.

For areas where it is not possible to manually operate the reset button of pump. For this type of circuit it is made to be reset by air pressure.

Compact, lightweight

(Without foot)

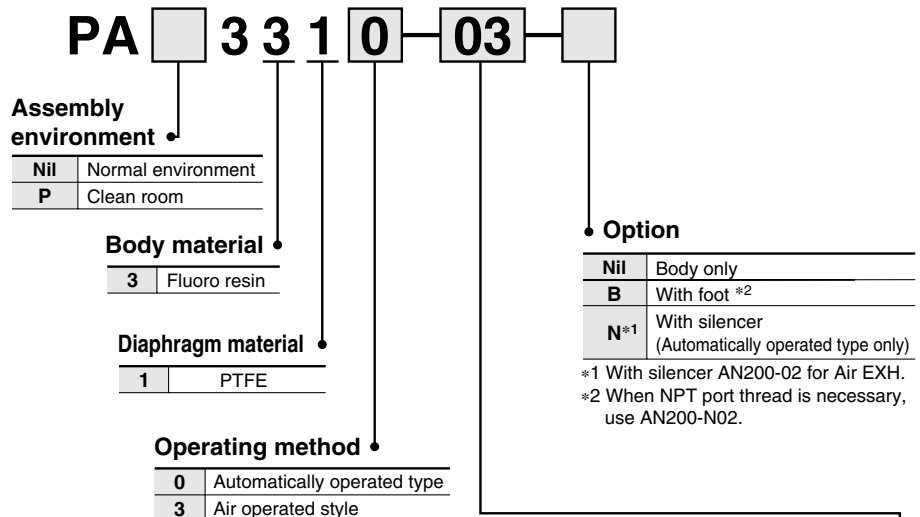


Weight: **2.1 kg**

Air operated type is also standardized.

It is possible to operate by the switching valve control installed externally.

How to Order



	Port size on the side of main fluid	Connection size in the side of air	Connection size
03	Rc 3/8	Rc 1/4 Threads	PA331□ (Assembled in normal environment)
F03*	G 3/8	G 1/4 Threads	
N03*	NPT 3/8	NPT 1/4 Threads	
T03*	NPTF 3/8	NPTF 1/4 Threads	PAP331□ (Assembled in clean room)
P11	3/8" tubing	Rc 1/4 Threads	
P11F*	3/8" tubing	G 1/4 Threads	PAP331□ (Assembled in clean room)
P11N*	3/8" tubing	NPT 1/4 Threads	
P11T*	3/8" tubing	NPTF 1/4 Threads	
P13	1/2" tubing	Rc 1/4 Threads	
P13F*	1/2" tubing	G 1/4 Threads	
P13N*	1/2" tubing	NPT 1/4 Threads	
P13T*	1/2" tubing	NPTF 1/4 Threads	

* Option

Related Products:



Specifications

Operating method		Automatically operated type	Air operated type
Applicable fluids		IPA/Pure water/ Methyl ethyl ketone/ Sodium hypochlorite	
Port size	Main fluid suction/ discharge port	PA	Rc, G, NPT, NPTF 3/8 female thread
		PAP	Rc, G, NPT, NPTF 3/8 female thread, 3/8", 1/2" tubing
Pilot air supply/ exhaust port		Rc, G, NPT, NPTF 1/4	
Material	Body wetted areas	New PFA	
	Diaphragm	PTFE	
	Check valve	New PFA, PTFE	
Discharge rate		1 to 13 ℓ/min ⁽¹⁾	0.1 to 9 ℓ/min
Average discharging pressure		0 to 0.4 MPa	
Pilot air consumption volume		Max. 140 ℓ/min (ANR)	
Suction lift	Dry	0.5 m	
	Wet	4 m	
Operating fluid temperature		0 to 100°C (Not be frozen. Do not apply heat cycle.)	
Ambient temperature		0 to 100°C (Not be frozen. Do not apply heat cycle.)	
Pilot air pressure		0.2 to 0.5 MPa	
pressure		0.75 MPa	
Mounting orientation		Horizontal (with mounting hole at bottom)	
Weight		2.1 kg (without foot)	
Assembly environment	PA: Normal environment	Assembled and shipped under the normal environment	
	PAP: Clean room	Assembled in a clean room, shipped and packed in a duplicate clean package.	



Note 1) 1 to 12 ℓ for 3/8" tubing type.

Note 2) The above values are for a normal temperature and using clean water.



Refer to the separate pamphlet P-E00-5A for further details.

VC

VDW

VQ

VX2

VX

VX3

VXA

VN

LVC

LVA

LVH

LVD

LVQ

LQ

LVN

TI/
TIL

PA

PAX

PB

SMC Information


Table of Contents (for Back Pages)


- * Safety Instructions
- * 2/3 Port Process Valve Precautions
- * Quality Assurance Information (ISO 9001, ISO 14001)
- * SMC Product Conforming to International Standards
- * Unlisted/Specialized Catalog Information
- * SMC Corporation's Web Site Information
- * Products' INDEX in Alphanumerical Order
- * SMC's Global Service Network




Safety Instructions

These safety instructions are intended to prevent a hazardous situation and/or equipment damage. These instructions indicate the level of potential hazard by labels of "Caution", "Warning" or "Danger". To ensure safety, be sure to observe ISO 4414 ^{Note 1)}, JIS B 8370 ^{Note 2)} and other safety practices.

 **Caution** : Operator error could result in injury or equipment damage.

 **Warning** : Operator error could result in serious injury or loss of life.

 **Danger** : In extreme conditions, there is a possible result of serious injury or loss of life.

Note 1) ISO 4414: Pneumatic fluid power--General rules relating to systems.

Note 2) JIS B 8370: General Rules for Pneumatic Equipment

Warning

1. The compatibility of pneumatic equipment is the responsibility of the person who designs the pneumatic system or decides its specifications.

Since the products specified here are used in various operating conditions, their compatibility for the specific pneumatic system must be based on specifications or after analysis and/or tests to meet your specific requirements. The expected performance and safety assurance will be the responsibility of the person who has determined the compatibility of the system. This person should continuously review the suitability of all items specified, referring to the latest catalog information with a view to giving due consideration to any possibility of equipment failure when configuring a system.

2. Only trained personnel should operate pneumatically operated machinery and equipment.

Compressed air can be dangerous if an operator is unfamiliar with it. Assembly, handling or repair of pneumatic systems should be performed by trained and experienced operators.

3. Do not service machinery/equipment or attempt to remove components until safety is confirmed.

1. Inspection and maintenance of machinery/equipment should only be performed once measures to prevent falling or runaway of the driver objects have been confirmed.
2. When equipment is to be removed, confirm the safety process as mentioned above. Cut the supply pressure for this equipment and exhaust all residual compressed air in the system.
3. Before machinery/equipment is restarted, take measures to prevent shooting-out of cylinder piston rod, etc.

4. Contact SMC if the product is to be used in any of the following conditions:

1. Conditions and environments beyond the given specifications, or if product is used outdoors.
2. Installation on equipment in conjunction with atomic energy, railway, air navigation, vehicles, medical equipment, food and beverages, recreation equipment, emergency stop circuits, clutch and brake circuits in press applications, or safety equipment.
3. An application which has the possibility of having negative effects on people, property, or animals, requiring special safety analysis.



2/3 Port Process Valve Precautions 1

Be sure to read before handling.

For detailed precautions on every series, refer to main text.

Caution on Design

Warning

- 1. Cannot be used as an emergency shutoff valve, etc.**

The valves presented in this catalog are not designed for safety applications such as an emergency shutoff valve. If the valves are used in this type of system, other reliable safety assurance measures should also be adopted.
- 2. Extended periods of continuous energization**

Please consult with SMC if valves will be continuously energized for extended periods of time.
- 3. Solenoid valves are not allowed to use as an explosion proof one.**
- 4. Maintenance space**

The installation should allow sufficient space for maintenance activities (removal of valve, etc.).
- 5. Liquid rings**

In cases with a flowing liquid, provide a by-pass valve in the system to prevent the liquid from entering the liquid seal circuit.
- 6. Operation of actuator**

When an actuator, such as a cylinder, is to be driven using a valve, take appropriate measures to prevent potential danger caused by actuator operation.
- 7. Holding pressure (including vacuum)**

Since the valve may have slight internal air leakage, it may not be suitable for holding pressure (including vacuum) in a tank or other vessel for an extended period of time.
- 8. When the conduit type is used as equivalent to an IP65 enclosure, install a wiring conduit, etc. (Series VC)**

For details, refer to page 17-6-7.

Selection

Warning

- 1. Check the specifications.**

Give careful consideration to operating conditions such as the application, fluid and environment, and use within the operating ranges specified in this catalog.
- 2. Operating fluids**
 - 1) Type of operating fluids**

Select model according to the operating fluid for its material. Viscosity of the operating fluids must be less than 50 cst in general.
Please contact SMC for further information.
 - 2) Flammable oil or gases**

Confirm the specifications for the internal/external leakage.
 - 3) Corrosive gases**

Since corrosive gases may cause stress corrosion, cracking or other accidents, it is not applicable for valves in this catalog.
 - 4) Use a Non-lube valve when impurities such as oil should not be in the fluid passage.**
 - 5) Option and fluids may not be usable on the operating conditions. General use of option and fluids are shown in the catalog to be referred for model selection.**

Selection

Warning

- 3. Quality of operating fluids**

Since the use of fluid which contains foreign matter can cause problems such as malfunction and seal failure by promoting wear of the valve seat and core, and by sticking to the sliding parts of the armature, etc., install a suitable filter (strainer) immediately upstream from the valve. As a general rule, use 80 to 100 mesh.
When used to supply water to boilers, substances such as calcium and magnesium which generate hard scale and sludge are included. Since this scale and sludge can cause valve malfunction, install water softening equipment, and a filter (strainer) directly upstream from the valve to remove these substances.
- 4. Quality of operating air**
 - 1) Use clean air.**

If the compressed air supply includes chemicals, synthetic materials (including organic solvents), salinity, corrosive gas, etc., it can lead to damage or malfunction.
 - 2) Install an air filter.**

Install an air filter at the up stream side to the valve. Filtration degree should be 5 μm or less.
 - 3) Install an air dryer, after cooler, etc.**

Compressed air that includes excessive drainage may cause malfunction of valves and other pneumatic equipment. To prevent this, install an air dryer or after cooler, etc.
 - 4) If excessive carbon powder is seen, install a mist separator on the upstream side of the valve.**

If excessive carbon powder is generated by the compressor, it may adhere to the inside of valves and cause malfunction. For compressed air quality, refer to "Air Cleaning Equipment" catalog.
- 5. Ambient environment**

Operate within the ambient operating temperature range. After confirming the compatibility of the product's component materials with the ambient environment, operate so that fluid does not adhere to the product's exterior surfaces.
- 6. Countermeasures for static electricity**

Since static electricity may be generated depending on the fluid being used, implement suitable countermeasures.



2/3 Port Process Valve Precautions 2

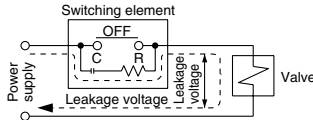
Be sure to read before handling.
For detailed precautions on every series, refer to main text.

Selection

⚠ Caution

1. Leakage voltage

Particularly when using a resistor in parallel with a switching element and using a C-R element (surge voltage suppressor) to protect the switching element, take note that leakage current will flow through the resistor and C-R element, etc., creating a danger that the valve may not shut OFF.



Series VC, VD, VQ

AC coil: 10% or less of rated voltage
DC coil: 2% or less of rated voltage

Series VX

AC coil: 20% or less of rated voltage
DC coil: 2% or less of rated voltage

Series VN

AC coil: 15% or less of rated voltage
DC coil: 3% or less of rated voltage

2. Low temperature operation

- 1) Valve use is possible to temperature extremes of -10°C . Take appropriate measures to avoid freezing of drainage, moisture etc. by using an air dryer.
- 2) When using valves for water application in cold climates, take appropriate countermeasures to prevent the freezing in tubing after cutting the water supply from the pump, e.g. drain the water, etc. When heating by steam, be careful not to expose the coil portion to steam. Installation of dryer, heat retaining of the body are recommended to prevent the freezing in condition that dew-point temperature is high and ambient temperature is low.

Mounting

⚠ Warning

1. If air leakage increases or equipment does not operate properly, stop operation.

Check mounting conditions after air and power supplies are connected. Initial function and leakage tests should be performed after installation.

2. Do not apply external force to the coil section.

Apply spanner to the external connection part when tightening.

3. Avoid installing the coil downward.

Foreign materials in the fluid may stick to the armature and it could cause malfunction. (In the case of VX series)

4. Do not warm the coil assembly part by the heat insulating material, etc.

Tape heater for anti-freezing is applicable to use only for piping or body.

5. Other than fittings made of stainless steel or copper should be tightened with a bracket.

6. Do not use in locations subjected to vibrations. If impossible, arm from the body should be as short as possible to prevent resonance.

7. Instruction manual

Install only after reading and understanding the safety instructions. Keep the catalog on life so that it can be referred to when necessary.

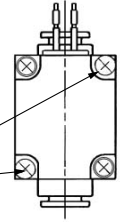
8. Coating

Warnings or specifications indicated on the product should not be erased, removed, or covered up.

Series VQ20/30

When mounting the valve, secure with brackets. When mounting it directly, tighten the mounting screws with the appropriate torque (0.2 to 0.23 N·m).

Mounting screw
Tightening torque 0.2 to 0.23 N·m



Port Direction

⚠ Caution

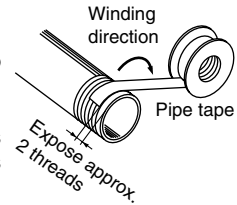
1. Preparation before piping

Before piping is connected, it should be thoroughly blown out with air (flushing) or washed to remove chips, cutting oil and other debris from inside the pipe.

Install piping so that it does not apply pulling, pressing, bending or other forces on the valve body.

2. Sealant tape

When installing piping or fitting into a port, ensure that sealant material does not enter the port internally. Furthermore, when sealant tape is used, leave 1.5 to 2 thread ridges exposed at the end of the threads.



3. Avoid connection of ground lines to piping, as this may cause electric corrosion of the system.

4. Always tighten threads with the proper tightening torque.

When screwing fittings into valves, tighten with the proper tightening torque shown below.

Tightening Torque for Piping

Connection thread	Applicable tightening torque (N·m)
M5	1.5 to 2
Rc 1/8	7 to 9
Rc 1/4	12 to 14
Rc 3/8	22 to 24
Rc 1/2	28 to 30
Rc 3/4	28 to 30
Rc 1	36 to 38
Rc 1 1/4	40 to 42
Rc 1 1/2	48 to 50
Rc 2	48 to 50

* Reference

How to tighten M5 threads on the fittings

After tightening by hand, use a tightening tool to add about 1/6 turn more. But when using miniature fittings, after tightening by hand, use a tightening tool to add 1/4 turn more. (When there are gaskets for universal elbow, universal tee, etc. in 2 locations, tighten them with twice as 1/2 turn.)

5. Connection of piping to products

When connecting piping to a product, avoid mistakes regarding the supply port, etc.

6. Steam generated in a boiler contains a large amount of drainage.

Be sure to operate with a drain trap installed.

7. In applications such as vacuum and non-leak specifications, use caution specifically against the contamination of foreign matters or airtightness of the fittings.



2/3 Port Process Valve Precautions 3

Be sure to read before handling.
For detailed precautions on every series, refer to main text.

Port Direction

⚠ Caution

Series LV

1. Use the tightening torques shown below when making connections to the pilot port.

Operating Port Tightening Torque

Operating port	Torque (N·m)
M5	1/6 turn with a tightening tool after first tightening by hand 0.8 to 1.0
Rc, NPT 1/8	0.8 to 1.0

2. Use of metal fittings

Do not use metal fittings for piping on taper threads made of resin, as this may cause damage to the threads.

3. Use pilot ports and sensor (breathing) ports as indicated below.

	PA Port	PB port	Sensor (breathing) port
N.C.	Pressure	Exhaust	Exhaust
N.O.	Exhaust	Pressure	Exhaust
Double acting	Pressure	Pressure	Exhaust

In the case of N.C. and N.O. types, the port which does not receive operating pressure is released to atmosphere. When intake and exhaust directly from the valve is not desired due to problems with the ambient environment or scattering of dust, etc., install piping and perform intake and exhaust at a location which does not present a problem.

4. For tubing connections, refer to pages 17-5-38 to 39.

Wiring

⚠ Caution

1. Use electrical wires for piping with more than 0.5 to 1.25 mm².
Further, do not allow excessive force to be applied to the lines.
2. Use electrical circuits which do not generate chattering in their contacts.
3. Use voltage which is within 10% of the rated voltage. In cases with a DC power supply where importance is placed on responsiveness, stay within 5% of the rated value. The voltage drop is the value in the lead wire section connecting the coil.
4. When electrical circuit is not acceptable for surge voltage generated by solenoid, install a surge absorber in parallel to the solenoid or use an optional type with surge killer.
(VCB, VCL: Class H coil, Series VCS, VDW, VX, VQ)
5. Series VX, VQ
Use the option with surge voltage suppressor, with surge voltage protection circuit.

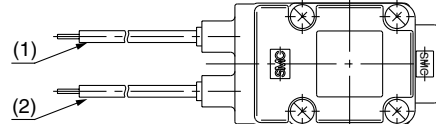
Electrical Connections

⚠ Caution

Series VC

Grommet

Class H coil: AWG18
Class B coil: AWG20



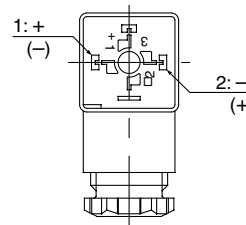
Rated voltage	Lead wire color	
	(1)	(2)
DC (Type B only)	Black	Red
100 VAC	Blue	Blue
200 VAC	Red	Red
Other AC	Gray	Gray

* There is no polarity.

Series VC, VX

DIN terminal (Class B only)

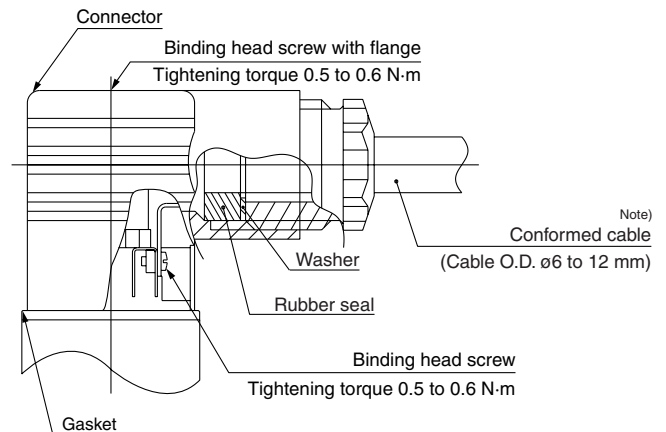
The figure below shows the internal connection of DIN terminal, so connect DIN terminals with power supply.



Terminal no.	1	2
DIN terminal	+ (-)	- (+)

* There is no polarity.

- Heavy-duty cord can be used up to the cable O.D. ø6 to 12.
- Use the tightening torques below for each section.



Note) For the one with outside diameter of the cable ø9 to 12 mm, remove the internal parts of the rubber seal before using.



2/3 Port Process Valve Precautions 4

Be sure to read before handling.

For detailed precautions on every series, refer to main text.

Electrical Connections

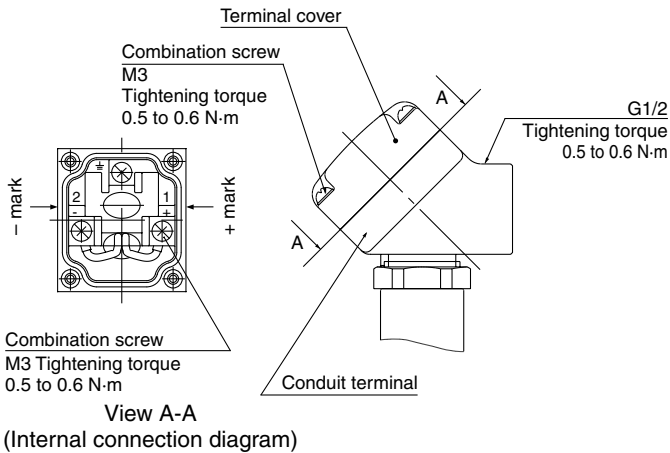
Warning

Series VC, VX

Conduit terminal

In the case of the conduit terminal, make connections according to the marks shown below.

- Use the tightening torques below for each section.
- Properly seal the terminal connection (G 1/2) with the special wiring conduit, etc.



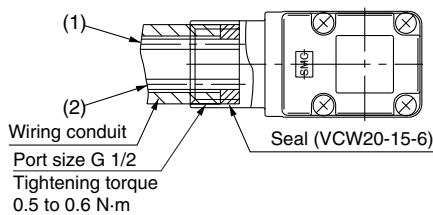
Series VC

Conduit

When used as an IP65 equivalent, use seal (Part no. VCW20-15-6) to install the wiring conduit. Also, use the tightening torque below for the conduit.

Class H coil: AWG18

Class B coil: AWG20



Rated voltage	Lead wire color	
	(1)	(2)
DC	Black	Red
100 VAC	Blue	Blue
200 VAC	Red	Red
Other AC	Gray	Gray

* There is no polarity.

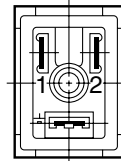
Description	Part no.
Seal	VCW20-15-6

Note) Please order separately.

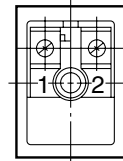
Series VN

The figures below show the internal connection of DIN terminal or terminal box, so connect them with power supply.

With DIN terminal box

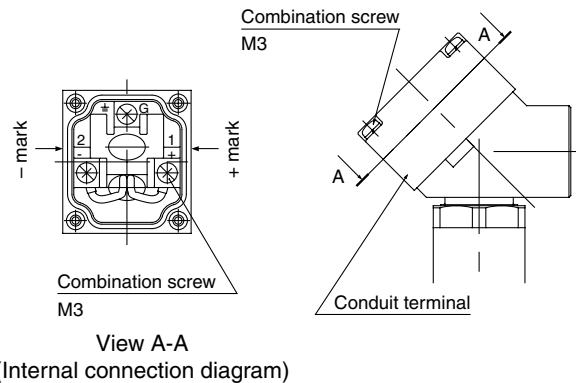


With terminal box



Terminal no.	1	2
DIN terminal	+	-
Terminal	+	-

Connect the conduit terminal according to the marks shown below.





2/3 Port Process Valve Precautions 5

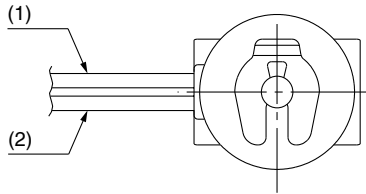
Be sure to read before handling.

For detailed precautions on every series, refer to main text.

Electrical Connections

⚠ Caution

Series VDW

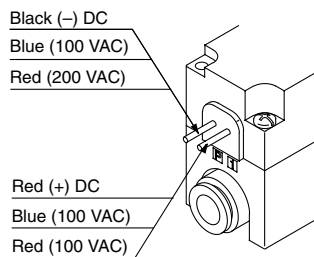


Rated voltage	Lead wire color	
	(1)	(2)
DC	Black	Red
100 VAC	Blue	Blue
200 VAC	Red	Red
Other AC	Gray	Gray

* There is no polarity.

Series VQ20/30

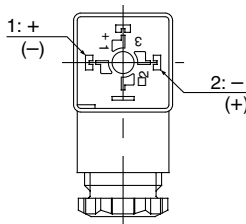
Grommet



* For energy-saving circuit, there is the polarity.

DIN terminal

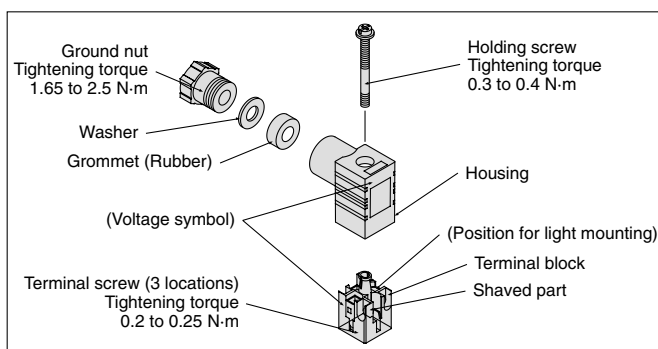
Since internal connections are as shown below for the DIN terminal, make connections to the power supply accordingly.



Terminal no.	1	2
DIN terminal	+	-

* For energy-saving circuit, there is the polarity.

Heavy-duty cord can be used up to the cable O.D. $\phi 3.5$ to 7.



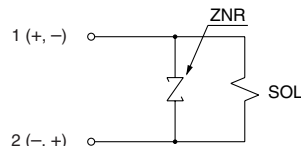
Electrical Circuit

⚠ Caution

Series VC (Class B coil)

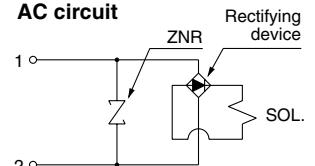
Grommet, Conduit, Conduit terminal, DIN connector

DC circuit



Without indicator light

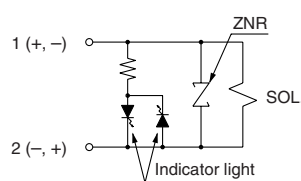
AC circuit



Without indicator light

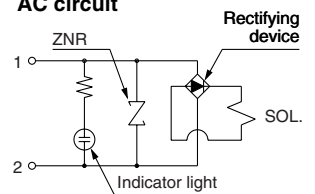
Conduit terminal, DIN terminal

DC circuit



With indicator light

AC circuit

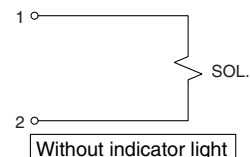


With indicator light

Series VC (Class H coil)

Grommet, Conduit, Conduit terminal

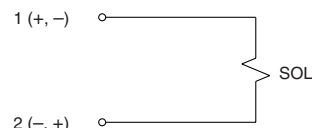
AC circuit



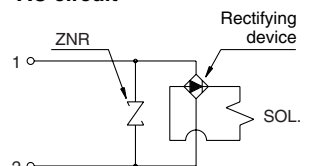
Without indicator light

Series VDW

DC circuit



AC circuit





2/3 Port Process Valve Precautions 6

Be sure to read before handling.

For detailed precautions on every series, refer to main text.

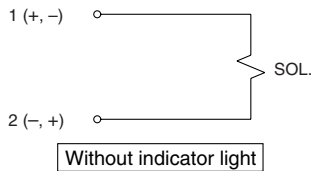
Electrical Circuit

Caution

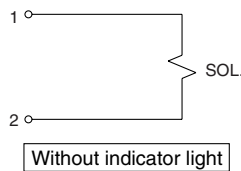
Series VX

Grommet, Conduit, Conduit terminal, DIN connector

DC circuit

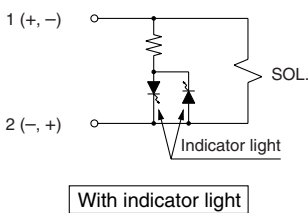


AC circuit

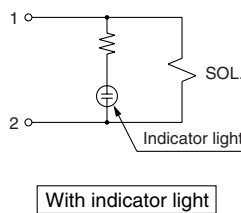


Conduit terminal, DIN terminal

DC circuit



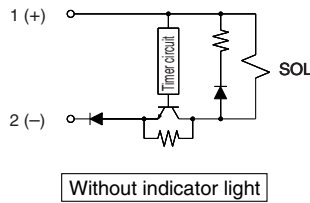
AC circuit



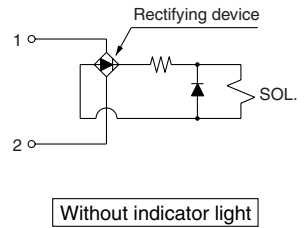
Series VQ20/30

Grommet, DIN terminal

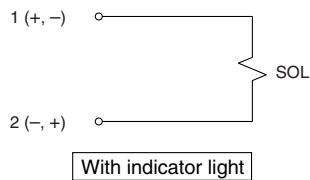
DC voltage (With energy-saving circuit)



AC circuit

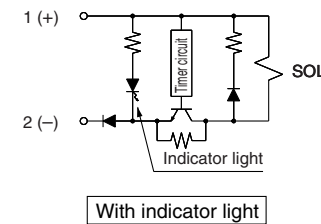


DC circuit

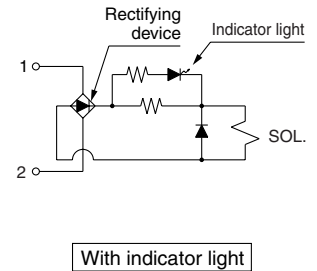


Grommet

DC voltage (With energy-saving circuit)

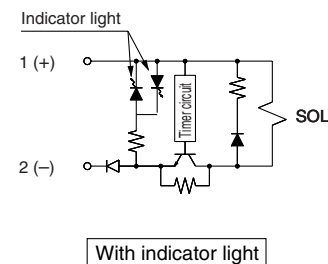


AC circuit

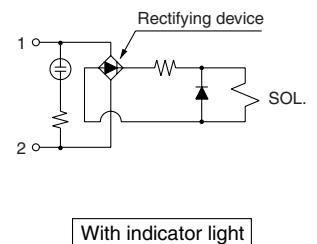


DIN terminal

DC voltage (With energy-saving circuit)



AC circuit





2/3 Port Process Valve Precautions 7

Be sure to read before handling.
For detailed precautions on every series, refer to main text.

Operating Environment

⚠ Warning

1. Do not use valves in atmospheres of corrosive gases, chemicals, salt water, water or steam, or where there is direct contact with same.
2. Do not use in explosive atmospheres.
3. Do not use in locations where vibration or impact occurs.
4. Do not use in locations subject to emissive heat.
5. Employ suitable protective measures in locations where there is contact with water droplets, oil or welding spatter, etc.

Lubrication

⚠ Caution

1. The valve has been lubricated for life at manufacture, and does not require lubrication in service.

If a lubricant is used in the system, use turbine oil Class 1, ISO VG32 (no additive). But do not lubricate the valve with EPR seal.

Refer to the below brand name table of lubricants compliant to Class 1 turbine oil (without additive), ISO VG32.

Class 1 Turbine Oil (with no additive), ISO VG32

Classification of viscosity (cst) (40°C)	Viscosity according to ISO Grade	32
Idemitsu Kosan Co.,Ltd.	Turbine oil P-32	
Nippon Mitsubishi Oil Corp.	Turbine oil 32	
Cosmo Oil Co.,Ltd.	Cosmo turbine 32	
Japan Energy Corp.	Kyodo turbine 32	
Kygnus Oil Co.	Turbine oil 32	
Kyushu Oil Co.	Stork turbine 32	
NIPPON OIL CORPORATION	Mitsubishi turbine 32	
Showa Shell Sekiyu K.K.	Turbine 32	
Tonen General Sekiyu K.K.	General R turbine 32	
Fuji Kosan Co.,Ltd.	Fucoal turbine 32	

Please contact SMC regarding Class 2 turbine oil (with additives), ISO VG32.

Maintenance and Inspection

⚠ Warning

1. Removing the product

The valve will reach high temperatures from high temperature fluids such as steam. Confirm that the valve has cooled sufficiently before performing work. If touched inadvertently, there is a danger of being burned.

- 1) Shut off the fluid supply and release the fluid pressure in the system.
- 2) In the case of air pilot or air-operated type, shut off the supply air source and discharge the compressed air inside a pilot piping.
- 3) Shut off the power supply.
- 4) Remove the product.

2. Remove any remaining chemicals and carefully replace them with pure water or air, etc., before beginning work activities. (Series LV)

3. Low frequency operation

In order to prevent malfunction, conduct a switching operation of a valve every 30 days. Also, in order to use it under the optimum state, conduct a regular inspection once a half year.

4. Manual override

When the manual override is operated, connected equipment will be actuated.

Operate after safety is confirmed.

5. Do not disassemble the product. Products which have been disassembled cannot be guaranteed.

If disassembly is necessary, please contact SMC.

Maintenance and Inspection

⚠ Caution

1. Filters and strainers

- 1) Be careful regarding clogging of filters and strainers.
- 2) Replace filters after one year of use, or earlier if the amount of pressure drop reaches 0.1 MPa.
- 3) Clean the strainer when pressure drop exceeds 0.1 MPa.

2. Lubrication

If operated with lubrication, be sure to continue the lubrication.

3. How to store for a long period of time

Remove water completely from valves before storing for a long period of time to avoid the dust generation and damage to the rubber material.

4. Flush drainage from filters regularly.

Precautions on Handling

⚠ Warning

1. Valves will reach high temperatures from high temperature fluids. Use caution, as there is a danger of being burned if a valve is touched directly.

⚠ Caution

Series LV

1. When the diaphragm is made of PTFE

Please note that when the product is shipped from the factory, gases such as N₂ and air may leak from the valve at a rate of 1 cm³/min (when pressurized).

2. When operated at a very low flow rate, the series LV□ with flow rate adjustment may vibrate, etc. depending on the operating conditions. Therefore, operate it after careful examination of the flow rate, pressure and piping conditions.

3. In the series LV□, water hammering may occur depending on the fluid pressure conditions. In most cases, improvement is possible by adjusting the pilot pressure with a speed controller, etc., but the flow rate, pressure and piping conditions should be reviewed.

4. To adjust the flow rate for the series LV□ with flow rate adjustment, open gradually starting from the fully closed condition.

Opening is accomplished by turning the adjustment knob counterclockwise. It is in the fully closed condition when the product is shipped from the factory.

5. After a long period of nonuse, perform a test run before beginning regular operation.

6. Since the LVC is packaged in a clean room use sufficient care in handling when opened.

Quality Assurance Information (ISO 9001, ISO 14001)

Reliable quality of products in the global market

To enable our customers throughout the world to use our products with even greater confidence, SMC has obtained certification for international standards “ISO 9001” and “ISO 14001”, and created a complete structure for quality assurance and environmental controls. SMC products pursue to meet its customers’ expectations while also considering company’s contribution in society.

Quality management system ISO 9001

This is an international standard for quality control and quality assurance. SMC has obtained a large number of certifications in Japan and overseas, providing assurance to our customers throughout the world.



Environmental management system ISO 14001

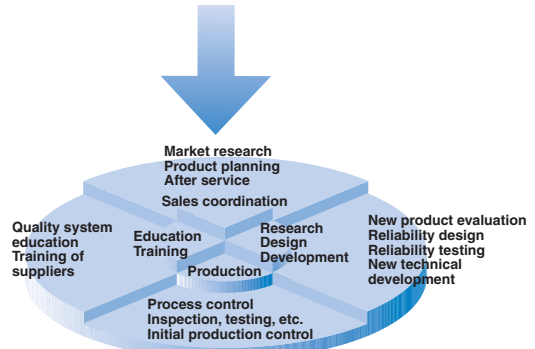
This is an international standard related to environmental management systems and environmental inspections. While promoting environmentally friendly automation technology, SMC is also making diligent efforts to preserve the environment.



SMC’s quality control system



Quality policies



Quality control activities

SMC Product Conforming to Inter

SMC products complying with EN/ISO, CSA/UL standards are supporting



The CE mark indicates that machines and components meet essential requirements of all the EC Directives applied.

It has been obligatory to apply CE marks indicating conformity with EC Directives when machines and components are exported to the member Nations of the EU.

Once "A manufacturer himself" declares a product to be safe by means of CE marking (declaration of conformity by manufacturer), free distribution inside the member Nations of the EU is permissible.

■ CE Mark

SMC provides CE marking to products to which EMC and Low Voltage Directives have been applied, in accordance with CETOP (European hydraulics and pneumatics committee) guide lines.

■ As of February 1998, the following 18 countries will be obliged to conform to CE mark legislation

Iceland, Ireland, United Kingdom, Italy, Austria, Netherlands, Greece, Liechtenstein, Sweden, Spain, Denmark, Germany, Norway, Finland, France, Belgium, Portugal, Luxembourg

■ EC Directives and Pneumatic Components

• Machinery Directive

The Machinery Directive contains essential health and safety requirements for machinery, as applied to industrial machines e.g. machine tools, injection molding machines and automatic machines. Pneumatic equipment is not specified in Machinery Directive. However, the use of SMC products that are certified as conforming to EN Standards, allows customers to simplify preparation work of the Technical Construction File required for a Declaration of Conformity.

• Electromagnetic Compatibility (EMC) Directive

The EMC Directive specifies electromagnetic compatibility. Equipment which may generate electromagnetic interference or whose function may be compromised by electromagnetic interference is required to be immune to electromagnetic affects (EMS/immunity) without emitting excessive electromagnetic affects (EMI/emission).

• Low Voltage Directive

This directive is applied to products, which operate above 50 VAC to 1000 VAC and 75 VDC to 1500 VDC operating voltage, and require electrical safety measures to be introduced.

• Simple Pressure Vessels Directive

This directive is applied to welded vessels whose maximum operating pressure (PS) and volume of vessel (V) exceed 50 bar/L. Such vessels require EC type examination and then CE marking.

national Standards

you to comply with EC directives and CSA/UL standards.



■ CSA Standards & UL Standards

UL and CSA standards have been applied in North America (U.S.A. and Canada) symbolizing safety of electric products, and are defined to mainly prevent danger from electric shock or fire, resulting from trouble with electric products. Both UL and CSA standards are acknowledged in North America as the first class certifying body. They have a long experience and ability for issuing product safety certificate. Products approved by CSA or UL standards are accepted in most states and governments beyond question.

Since CSA is a test certifying body as the National Recognized Testing Laboratory (NRTL) within the jurisdiction of Occupational Safety and Health Administration (OSHA), SMC was tested for compliance with CSA Standards and UL Standards at the same time and was approved for compliance with the two Standards. The above CSA NRTL/C logo is described on a product label in order to indicate that the product is approved by CSA and UL Standards.

■ TSSA (MCCR) Registration Products

TSSA is the regulation in Ontario State, Canada. The products that the operating pressure is more than 5 psi (0.03 MPa) and the piping size is bigger than 1 inch. fall into the scope of TSSA regulation.

Products conforming to CE Standard



With CE symbol for simple visual recognition

In this catalog each accredited product series is indicated with a CE mark symbol. However, in some cases, every available models may not meet CE compliance. Please visit our web site for the latest selection of available models with CE mark.

<http://www.smcworld.com>