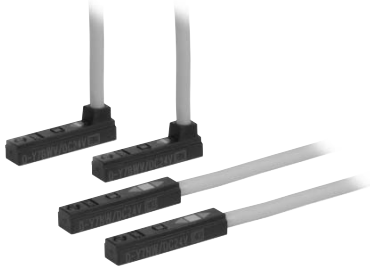


2-color Indication Type Solid State Switch Direct Mounting Style D-Y7NW(V)/D-Y7PW(V)/D-Y7BW(V)

CE For details about certified products conforming to international standards, visit us at www.smcworld.com.

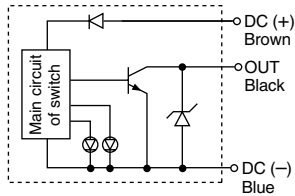
Grommet

The optimum operating position can be determined by the color of the light. (Red → Green ← Red)

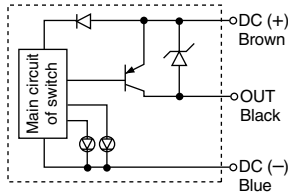


Auto Switch Internal Circuit

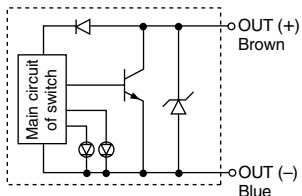
D-Y7NW, D-Y7NWV



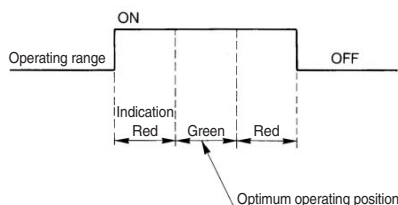
D-Y7PW, D-Y7PWV



D-Y7BW, D-Y7BWV



Indicator light/Display method



Auto Switch Specifications

PLC: Abbreviation of Programmable Logic Controller

D-Y7□W, D-Y7□WV (With indicator light)						
Auto switch model	D-Y7NW	D-Y7NWV	D-Y7PW	D-Y7PWV	D-Y7BW	D-Y7BWV
Electrical entry direction	In-line	Perpendicular	In-line	Perpendicular	In-line	Perpendicular
Wiring type	3-wire			2-wire		
Output type	NPN		PNP		—	
Applicable load	IC circuit, Relay, PLC				24 VDC relay, PLC	
Power supply voltage	5, 12, 24 VDC (4.5 to 28 VDC)				—	
Current consumption	10 mA or less				—	
Load voltage	28 VDC or less		—		24 VDC (10 to 28 VDC)	
Load current	40 mA or less		80 mA or less		5 to 40 mA	
Internal voltage drop	1.5 V or less (0.8 V or less at 10 mA load current)		0.8 V or less		4 V or less	
Leakage current	100 μA or less at 24 VDC				0.8 mA or less at 24 VDC	
Indicator light	Operating position.....Red LED lights when ON. Optimum operating position.....Green LED lights when ON.					

- Lead wire — Oil resistant, flexible vinyl heavy-duty cord, $\phi 3.4$, 0.15 mm², 3 cores (Brown, Black, Blue), 2 cores (Brown, Blue), 0.5 m

Note 1) Regarding the common specifications of the solid state switches, refer to page 6-16-7.

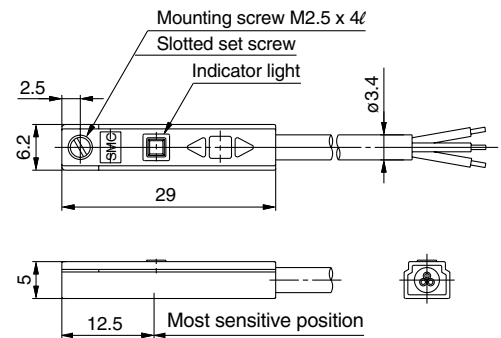
Note 2) Regarding the lead wire length, refer to page 6-16-7.

Weight

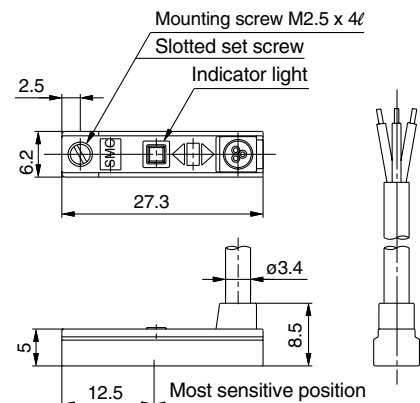
Auto switch model	D-Y7NW(V)	D-Y7PW(V)	D-Y7BW(V)
Lead wire length (m)	0.5	11	11
	3	54	54
	5	88	88

Dimensions

D-Y7□W



D-Y7□WV



CJ1

CJP

CJ2

CM2

CG1

MB

MB1

CA2

CS1

C76

C85

C95

CP95

NCM

NCA

D-

-X

20-

Data