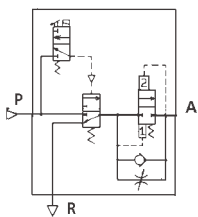


SOFT START-UP VALVE SERIES (N)AV 2000, 3000, 4000 1/4, 3/8, 1/2"

- ✓ Combined Soft Start and Dump Valve
- ✓ Compatible with Modular Series FRL
- ✓ Large Cv Factor
- ✓ Low Power
- ✓ Air Supply and Exhaust can be operated manually

SYMBOLS



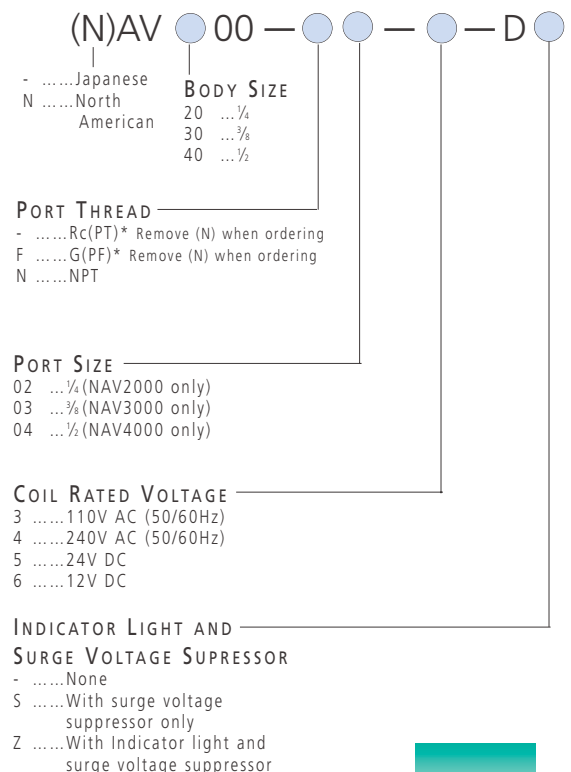
The NAV valve pictured together with an NAW series Filter/Regulator and an NAN series Silencer. (To order these items, see Air Preparation section {NAW} and Valves section {NAN})

TECHNICAL SPECIFICATIONS

Model		NAV2000	NAV3000	NAV4000	
Port Size		1/4	3/8	1/2	
Proof Pressure		1.5MPa / 220PSI			
Operating Pressure Range		1MPa / 145PSI			
Pressure Gauge Port Size		1/4			
Ambient and Fluid Temperature		0 ~ 60°C* / 32~140°F			
CV Factor	P→A	1.19	2.20	3.60	
	A→R	1.39	2.89	4.49	
Weight (kg)		0.27	0.48	0.74	
Electrical Spec	Coil Rated Voltage	110, 240V AC (50/60Hz); 12, 24V DC			
	Allowable Voltage Fluctuation	-15% to +10% of rated voltage			
	Coil Insulation Type	Type B equivalent (130°C)			
	Apparent Power AC (Power Consumption)	Inrush	5.6VA (50Hz)		
		Holding	3.4VA (2.1W)/50Hz		
	Power Consumption DC	1.8W			
Electrical Connector	DIN 43650 (industrial form)				
Semi-Standard Spec	With indicator light and surge voltage suppressor				
Pilot Valve Manual Override		Non-locking push type			

*Use dry air when temperature is low.

HOW TO ORDER SOFT START-UP VALVE



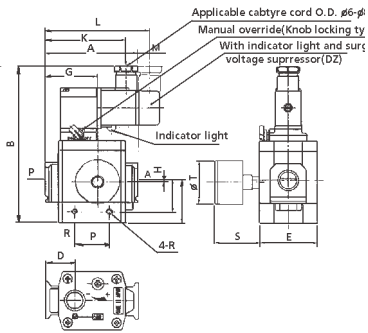
SEE INSIDE FRONT COVER FOR
DETAILS OF YOUR LOCAL SALES OFFICE



DIMENSIONS
SEE NEXT PAGE

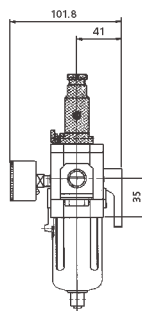
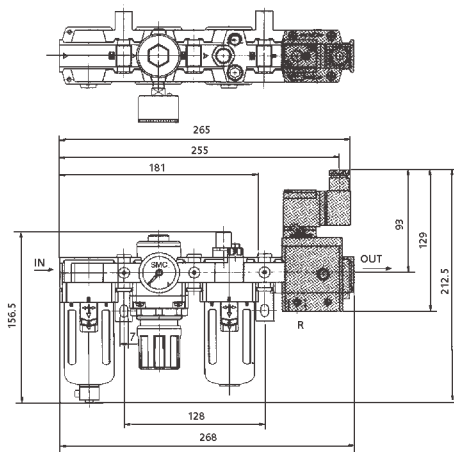
FOR FURTHER TECHNICAL
DETAILS ON THIS
PRODUCT REQUEST
CATALOG REFERENCE
ESG & N5-G1

**DIMENSIONS
DIN CONNECTOR**



Model	Port size	A	B	C	D	E	Pressure gauge Mounting port	G	H	I	J	K	L	M	N	P	Q	R
							F											
NAV2000-□02-□D	1/4	66	125.5	31	22	40	1/4	38	0	—	—	67.5	—	10.5	—	29	23.5	M4X0.7 depth 4.5
NAV2000-□02-□DZ												—	84.5	27.5				
NAV3000-□03-□D	3/8	76	132.5	36	24	48	3/8	43	2	—	—	70.5	—	3.5	—	28	27.5	M5X0.8 depth 5
NAV3000-□03-□DZ												—	87.5	20.5				
NAV4000-□04-□D	1/2	98	147.5	47	32	52	1/2	57	3	—	—	82.5	—	—	—	42	37	M6X1 depth 6
NAV4000-□04-□DZ												—	99.5	10.5				

**DIMENSIONS
EXAMPLE OF NAC3000 + SOFT START-UP VALVE**



1. This valve cannot prevent cylinders shooting out when a closed-center solenoid valve is used, or equipment driving with a load factor of 50% or more.
2. When a regulator is to be mounted on the secondary side, use a check valve regulator (NAR**60). Standard regulators (NAR2000, 3000, 4000) do not allow large volume back-flow.
3. Mount a lubricator, as necessary, on the primary side (P port side) of the valve. When the lubricator is mounted on the secondary side (A port side), oil back-flows and is exhausted from port R.



FOR FURTHER TECHNICAL
DETAILS ON THIS
PRODUCT REQUEST
CATALOG REFERENCE
E5G & N5-G1