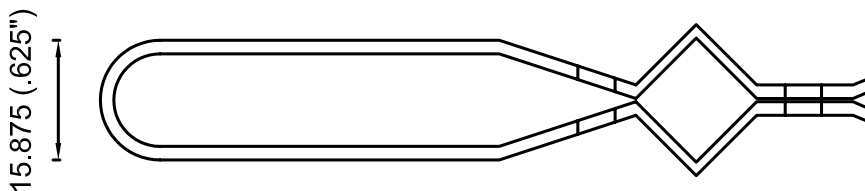
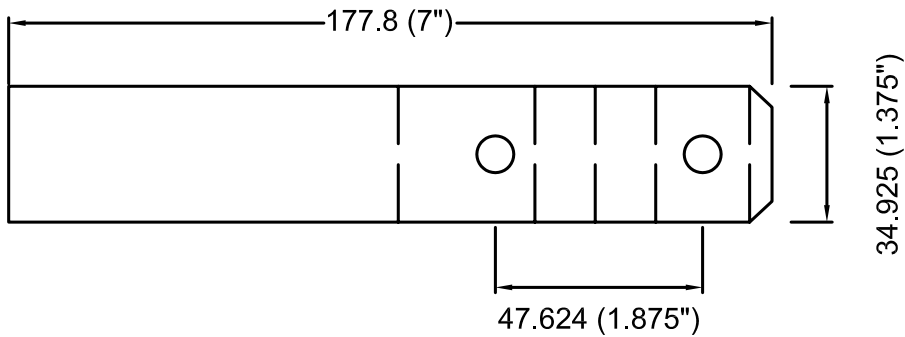
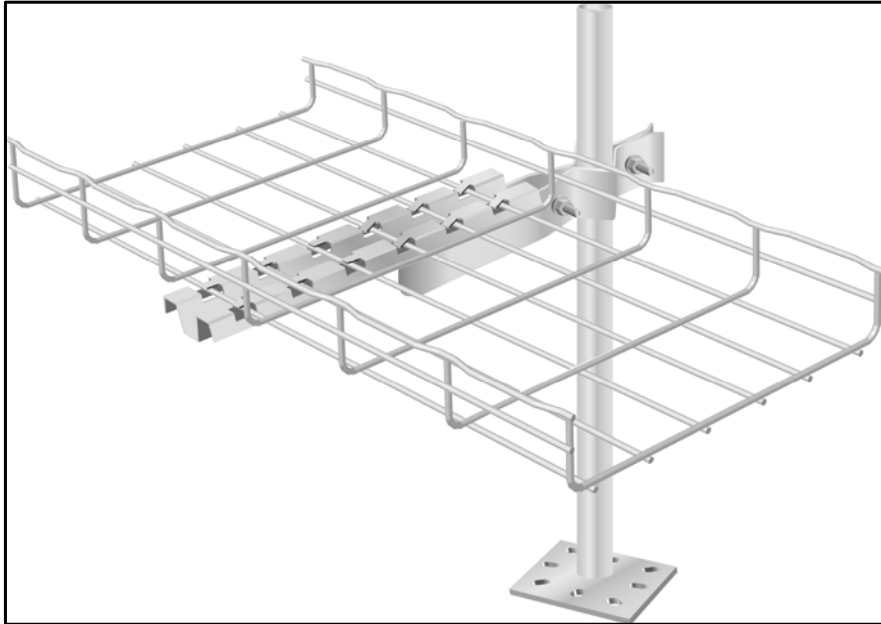


UFCN UNDERFLOOR CLAMP

CABLOFIL®

INNOVATORS IN CABLE MANAGEMENT

8319 State Route 4
 Mascoutah IL 62258
 Phone: 800-658-4641
 618-566-3230
 Fax: 618-566-3250
www.cablofil.com



Note: Comes with two .25" x 1.5" bolts and two .25" flanged nuts.

	in	mm	lb
UFCN150	5.91	150	2.5
UFCN200	7.87	200	2.7
UFCN300	11.81	300	3.0

PG GC BL PE