

# Plug-in units type 2

with extractor handle C/individual components

Plug-in units

## Ordering central holder for 6 and 9 U boards

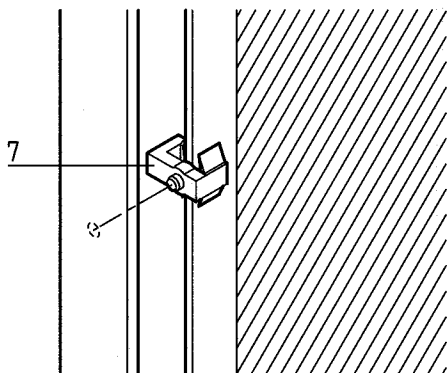
The holder positions the board with respect to the front panel.

- Attach central holder to board, insert pin in blind hole in front panel
- Also suitable for SMD applications

### Delivery comprises

Item	Qty.	Description	Material	Finish
7	1 kit (100 pcs.)	Central holder	PPO UL 94 V-0	red

Order No. **21100-719**



BGA42544

## Ordering PB holder

Cannot be used in conjunction with extractor handles.

- To attach the printed board to the front panel
- For 3 U boards, top
- For 9 U boards, centre

The PB holder is assembled by attaching to the front panel and board with screws.

### Delivery comprises

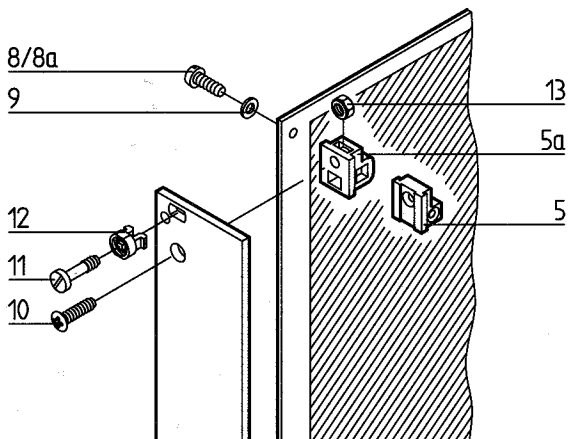
Item	Qty.	Description	Material	Finish	Notes
5	1	PB holder	Zn-die-cast	raw	with M 2.5 threads for front panel and board attachment
5a	1	PB holder	PBTP UL 94 V-0	gray	with recess for M 2.5 hexagon nut and hole for self-locking screw

Die-cast zinc

Plastic

Order No. **60807-181**

Order No. **60807-183**



BGA42545

## Ordering assembly parts

Item	Description	Material	Finish	Notes	Individual components (1 kit is sufficient for 2 extractor handles)		Assembly parts	
					Qty.	Order No.	Qty.	Order No.
8	Cheese head screw M 2.5 x 10	St	nickel-plated		4	<b>21100-745</b>	1 kit (100 pcs.)	<b>21100-138</b>
8a	Slotted self-locking screw	St	zinc-plated	for plastic PB holder item 5a	2		1 kit (100 pcs.)	<b>21100-710</b>
9	Washer 2.7 DIN 125	St	nickel-plated		4		1 kit (100 St.)	<b>21100-721</b>
10	Pozidrive raised c/sk screw M 2.5 x 8	St	nickel-plated		4		1 kit (100 pcs.)	<b>21100-429</b>
11	Slotted collar screw M 2.5 x 11	Ms	nickel-plated	pozidrive screw: see fasteners for front panels . . . . . Page 37.52	4		1 kit (100 pcs.)	<b>21100-379</b>
12	Sleeve	POM	gray	metal sleeve: see fasteners for front panels . . . . . Page 37.52	4		1 kit (100 pcs.)	<b>21100-464</b>
13	Hexagon nut	St	nickel-plated		2	1 kit (100 pcs.)	<b>21100-144</b>	