

### SMD Choke Coils

Series: **G**  
 Type: **ELLVEG**  
**ELLVFG-C**  
**ELLVGG**



#### ■ Features

- Magnetically shielded structure
- Low DC resistance and large current capability
- Shock resistant

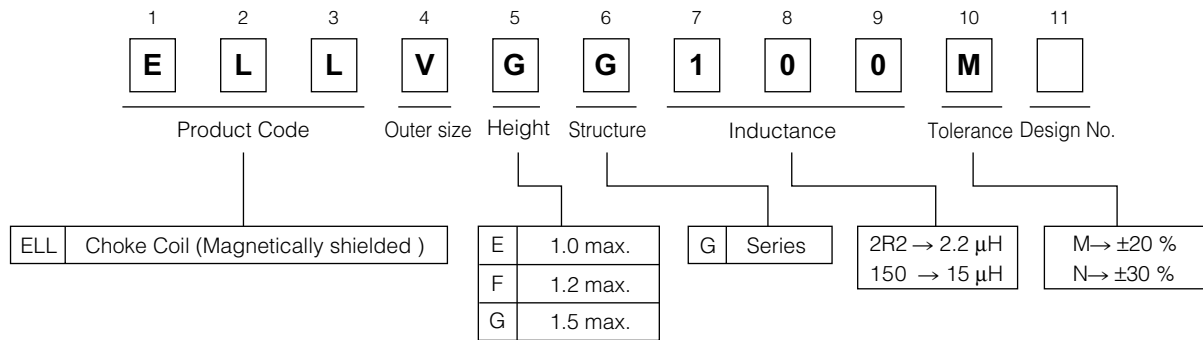
#### ■ Recommended Applications

- DC-DC converter circuitry for computer peripherals and cellular phones.
- Chopper circuit decoupling chokes for DC-DC converter circuitry.

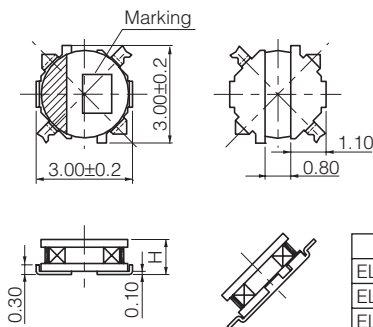
#### ■ Standard Packing Quantity

- 2000 pcs./Reel

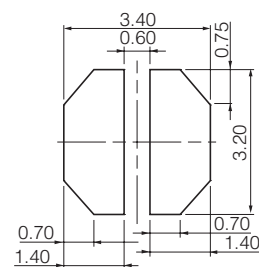
#### ■ Explanation of Part Numbers



#### ■ Dimensions in mm (not to scale)



#### ■ Recommended land patterns in mm (not to scale)



## Standard Parts

Series	Part Number	Inductance (100 kHz)		R <sub>DC</sub> (at 20 °C)		Saturation Rated Current* <sup>1</sup> (mA max.)	Temperature Rise Current* <sup>2</sup> (mA max.)	Marking
		(μH)	Tol.	(mΩ)	Tol.			
VEG Series	ELLVEG1R0N	1.0	±30 %	61	±20 %	1900	1600	A
	ELLVEG1R5N	1.5		74		1200	1400	C
	ELLVEG2R2N	2.2		110		1100	1250	D
	ELLVEG3R3N	3.3		210		1000	820	E
	ELLVEG4R7N	4.7		240		750	770	H
	ELLVEG6R8N	6.8		350		580	650	K
	ELLVEG100M	10.0	±20 %	480		520	600	M
	ELLVEG150M	15.0		710		430	490	O
	ELLVEG220M	22.0		1200		330	400	R
	ELLVEG330M	33.0		2300		260	290	T
	ELLVEG470M	47.0		2700		220	250	V
ELLVEG680M	68.0	3500	180	220	X			
VFG Series	ELLVFG1R0NC	1.0	±30 %	50	±20 %	1500	1700	a
	ELLVFG1R5NC	1.5		61		1300	1550	c
	ELLVFG2R2NC	2.2		87		1100	1400	d
	ELLVFG3R3NC	3.3		110		980	1250	e
	ELLVFG4R7NC	4.7		150		740	1050	h
	ELLVFG6R8MC	6.8		230		600	840	k
	ELLVFG100MC	10.0	±20 %	380		550	640	m
	ELLVFG150MC	15.0		540		500	480	o
	ELLVFG220MC	22.0		710		350	430	r
	ELLVFG330MC	33.0		1160		280	330	t
VGG Series	ELLVGG1R0N	1.0	±30 %	52	±20 %	2200	1800	A
	ELLVGG1R6N	1.6		73		1800	1550	C
	ELLVGG2R2N	2.2		92		1600	1400	D
	ELLVGG3R3N	3.3		130		1350	1100	E
	ELLVGG3R9N	3.9		150		1300	1000	F
	ELLVGG4R7N	4.7		170		1200	980	H
	ELLVGG6R8N	6.8	230	1000		800	K	
	ELLVGG100M	10.0	±20 %	280		800	730	M
	ELLVGG120M	12.0		480		690	580	N
	ELLVGG150M	15.0		640		600	490	O
	ELLVGG220M	22.0		800		500	460	R
	ELLVGG330M	33.0		1330		450	340	T
	ELLVGG470M	47.0		2100		350	270	V

\*1 Saturation Rated Current : This DC current which causes a 30 % inductance reduction from its nominal value.

\*2 Temperature Rise Current : This indicates the value of current when temperature rise dt/t= 40 °C (at 20 °C).

## Embossed Carrier Tape Dimensions in mm (not to scale)

