

# Outdoor Air Conditioners

9250-20000 BTU/Hr. (2710-5860 Watts)



**T43**



**T50**



**T53**

## Features

- Stock models are equipped with thermostat control, coated condenser coils, compressor heater and head pressure control for low ambient operation.
- The filter is easily accessible.
- Stock unit agency approvals included CE, UL, TYPE 12, TYPE 4 and TYPE 3R.
- Compact footprint to minimize real estate and maximize capacity.
- Standard models provided as surface or fully recessed mount. Partial mount models available upon request.
- Designed to achieve seal capable of TYPE 4 and/or GR-487 wind driven rain when installed properly on an equally rated enclosure.
- Broad operating range -40°F to 131°F.
- 100% functionally tested.
- RPM Service™ coverage on all units.




**TYPE 12 TYPE 4**  
**TYPE 3R RoHS**

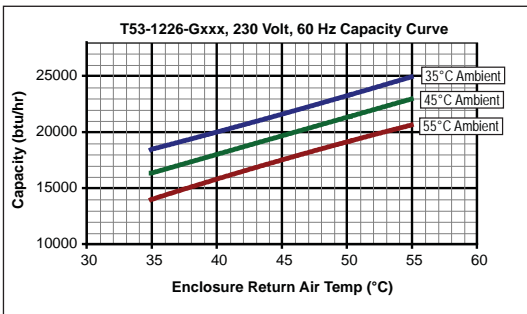
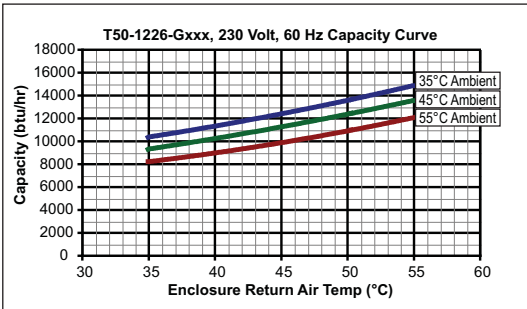
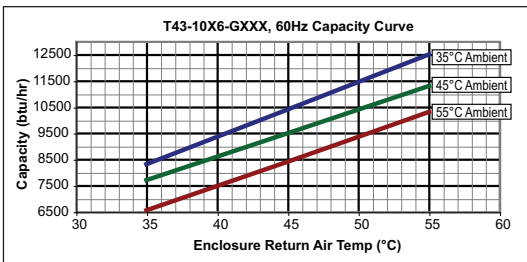
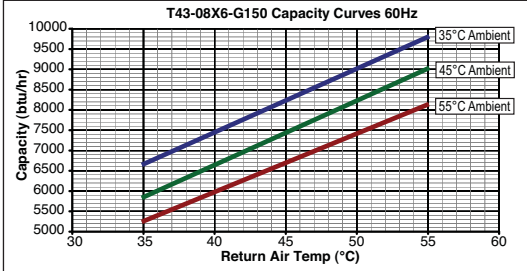
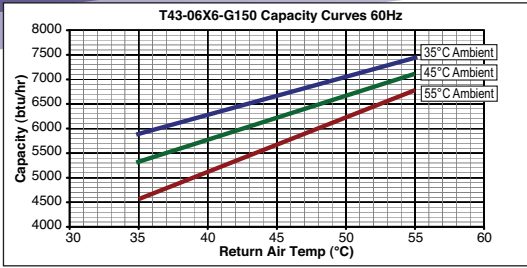
CE, UL file SA6453. UL50 TYPE 12, TYPE 4, TYPE 3R. Rating maintained when properly installed on an equally rated enclosure.

## Option Packages (see pg. B.47)

	T43	T50	T53
Thermostat Package	✓	✓	✓
Thermostat/Malfunction Package	✓	✓	✓
Special Voltage Package	✓	✓	✓
Low Temperature Package	✓	✓	✓
Heater Package	✓	✓	✓
Corrosive Environment Package	✓	✓	✓
Stainless Steel Package	✓	✓	✓
Tamper Resistant Hardware Package	✓	✓	✓
Lead Lag Control Package	✓	✓	✓

## McLean Thermal Closed-loop Cooling

McLean Thermal air conditioners are designed and tested to maintain a UL 50 rated separation of the external ambient airflow from the sealed cabinet interior. This protects the electronic controls and equipment from shutdown caused by heat, humidity, dust and other contaminants.



## T43 Series

9250 BTU/Hr. (2710 Watts)  
H x W x D: 43" (1092) x 15.75" (400) x 10.90" (279)

Model	Voltage	Hz	Phase	Amps 131°F/131°F	BTU/Hr @ 131°F/131°F	60Hz Max Amb Temp °F/°C	Shipping Weight Lbs/Kgs	
T43-0616-G150	115	50/60	1	9.2/8.6	6310/6680	131/55	125/57	
T43-0616-GXXX	115	50/60	1	9.2/8.6	6310/6680	131/55	125/57	
T43-0626-G150	230	50/60	1	4.4/3.8	6520/6770	131/55	125/57	
T43-0626-GXXX	230	50/60	1	4.4/3.8	6520/6770	131/55	125/57	
T43-0646-G400	460	50/60	1	2.2/1.9	6520/6770	131/55	155/70	
T43-0646-GXXX	460	50/60	1	2.2/1.9	6520/6770	131/55	155/70	
T43-0816-G150	STOCK	115	50/60	1	10.4/11.2	7900/8600	131/55	125/57
T43-0816-GXXX	115	50/60	1	10.4/11.2	7900/8600	131/55	125/57	
T43-0826-G150	STOCK	230	50/60	1	5.2/5.4	7400/8200	131/55	125/57
T43-0826-GXXX	230	50/60	1	5.2/5.4	7400/8200	131/55	125/57	
T43-0846-G400	460	50/60	1	2.8/3.0	7400/8200	131/55	155/70	
T43-0846-GXXX	460	50/60	1	2.8/3.0	7400/8200	131/55	155/70	
T43-1016-G150	STOCK	115	50/60	1	15.9/19.9	9700/10300	131/55	125/57
T43-1016-GXXX	115	50/60	1	15.9/19.9	9700/10300	131/55	125/57	
T43-1026-G150	STOCK	230	50/60	1	9.0/9.0	10000/10600	131/55	125/57
T43-1026-GXXX	230	50/60	1	9.0/9.0	10000/10600	131/55	125/57	
T43-1046-G400	460	50/60	1	4.5/4.5	10000/10600	131/55	155/70	
T43-1046-GXXX	460	50/60	1	4.5/4.5	10000/10600	131/55	155/70	

-XXX will be replaced with a three-digit number designating all desired options. Consult the factory for specific model numbers.

## T50 Series

12300 BTU/Hr. (3604 Watts)  
H x W x D: 50" (1270) x 19" (483) x 11.05" (281)

Model	Voltage	Hz	Phase	Amps 131°F/131°F	BTU/Hr @ 131°F/131°F	60Hz Max Amb Temp °F/°C	Shipping Weight Lbs/Kgs	
T50-1226-G150	STOCK	220/230	50/60	1	8.2/9.3	11000/12000	131/55	164/75
T50-1226-GXXX	220/230	50/60	1	8.2/9.3	11000/12000	131/55	164/75	
T50-1246-G400	460	50/60	1	4.5/5.1	11200/12300	131/55	204/93	
T50-1246-GXXX	460	50/60	1	4.5/5.1	11200/12300	131/55	204/93	

-XXX will be replaced with a three-digit number designating all desired options. Consult the factory for specific model numbers.

## T53 Series

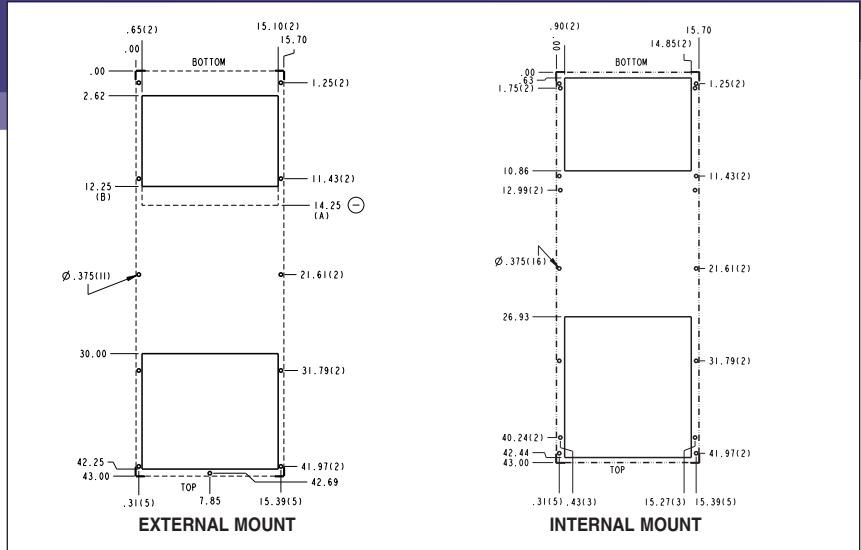
20000 BTU/Hr. (5567 Watts)  
H x W x D: 53" (1346) x 21" (533) x 13" (330)

Model	Voltage	Hz	Phase	Amps 131°F/131°F	BTU/Hr @ 131°F/131°F	60Hz Max Amb Temp °F/°C	Shipping Weight Lbs/Kgs	
T53-1926-150	STOCK	208/230	50/60	1	17/19	18000/20000	131/55	197/90
T53-1926-XXX	208/230	50/60	1	17/19	18000/20000	131/55	197/90	
T53-1946-400	460	50/60	1	9.4/10.5	18000/20000	131/55	237/108	
T53-1946-XXX	460	50/60	1	9.4/10.5	18000/20000	131/55	237/108	

-XXX will be replaced with a three-digit number designating all desired options. Consult the factory for specific model numbers.

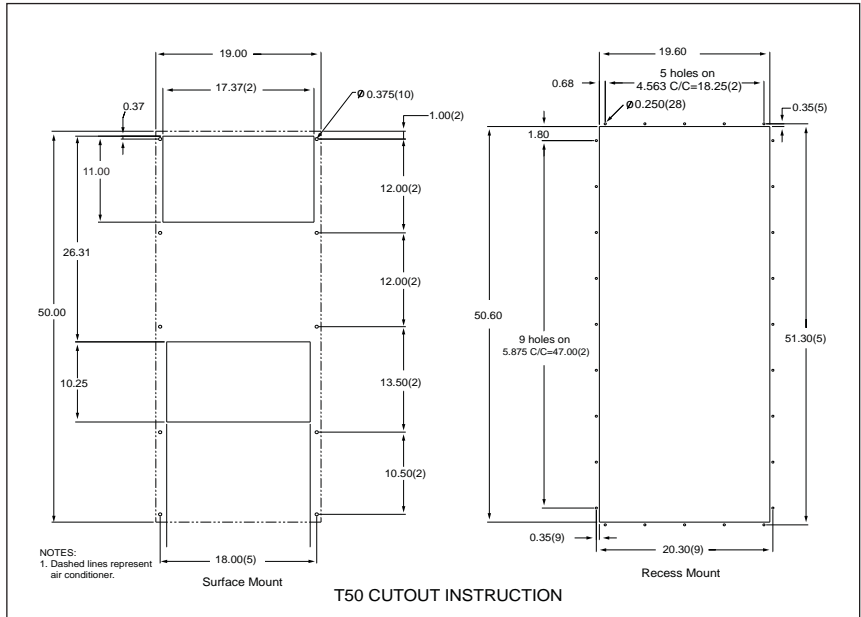
## T43 Series CUT-OUT NOTES

1. Dash lines represent air conditioner.
2. Cut-out dimensions for standard product only.



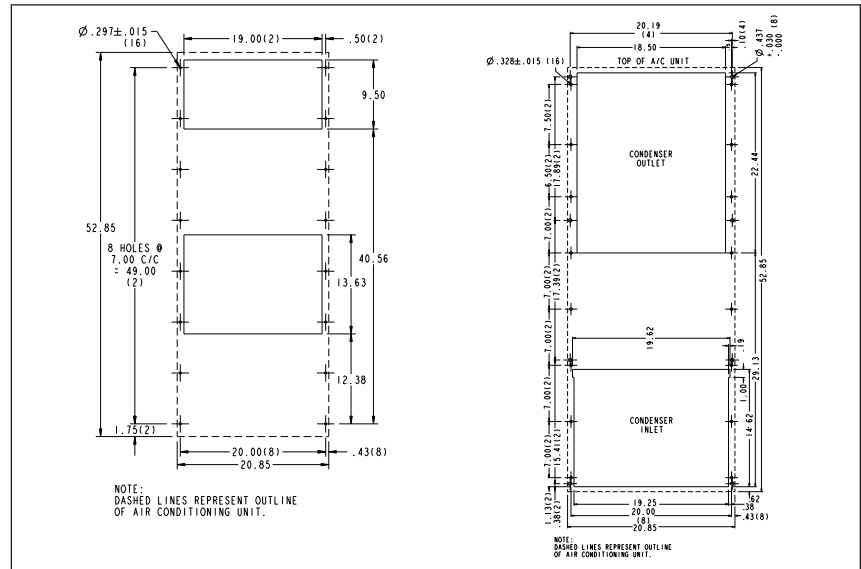
## T50 Series CUT-OUT NOTES

1. Dash lines represent air conditioner.
2. Cut-out dimensions for standard product only.



## T53 Series CUT-OUT NOTES

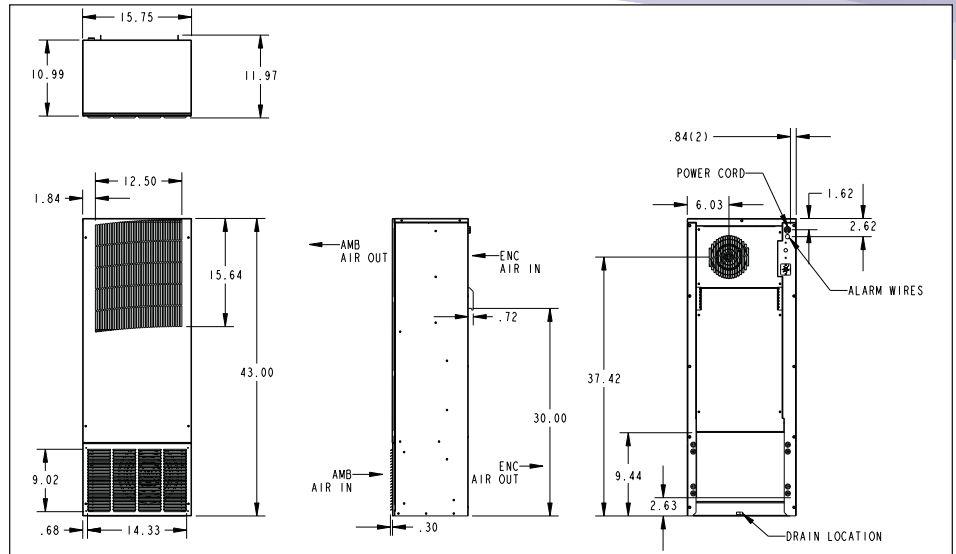
1. Dash lines represent air conditioner.
2. Cut-out dimensions for standard product only.



## DESIGN NOTES

1. Gasket kit for mounting to enclosure included.

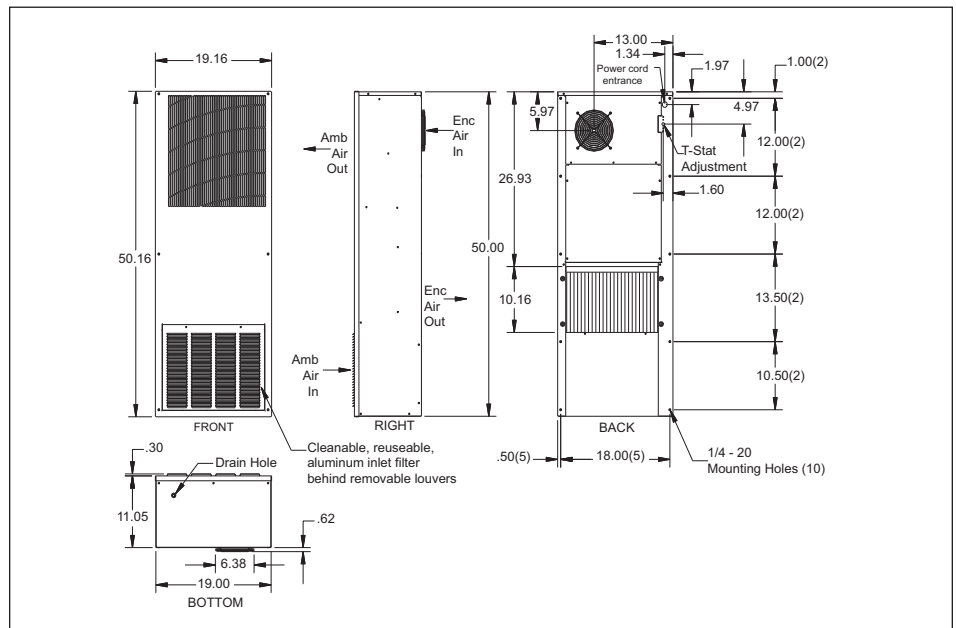
2. Service cord terminated with appropriate plug cap.



## DESIGN NOTES

1. Gasket kit for mounting to enclosure included.

2. Service cord terminated with appropriate plug cap.



## DESIGN NOTES

1. Gasket kit for mounting to enclosure included.

2. Service cord terminated with appropriate plug cap.

