

CONCEPT® Stainless Steel Type 4X Wall-Mounted Enclosures



Application

The CONCEPT stainless steel enclosure, with its streamlined design and Type 4X rating, is a perfect fit for mounting electrical or high-tech electronic equipment in a variety of indoor and outdoor settings. It is typically used in the following areas where corrosion-resistant protection is needed: food processing plants, pharmaceutical manufacturing facilities, petrochemical plants, pulp and paper processing, and water treatment facilities.

Construction

- Manufactured from 16 or 14 gauge Type 304 or 316L stainless steel
- Seams continuously welded and ground smooth
- Minimum-width body flange provides maximum door opening
- Body flange trough excludes liquids and contaminants
- Panel mounting studs fit optional CONCEPT panels and other accessories
- Mounting holes in back of body for direct mounting or for optional external mounting brackets
- Type 304 stainless steel hidden hinges promote clean aesthetic appearance
- Standard full-access door opening
- Doors are interchangeable and easily removable by pulling captive hinge pins
- Provision on door (except window door style) for thermoplastic data pocket
- Provision on door (except window door style) for optional doorstop kit
- Quarter-turn latches (or a 3-point latch system on larger enclosures) furnished with flush slotted insert. Optional handles or inserts are available.
- Seamless foam-in-place gasket provides oiltight and dusttight seal against contaminants
- Self-grounding latch system with double seal provides maximum protection against leakage
- Bonding provision on door. Grounding stud on body.
- Furnished hardware kit consists of panel-mounting nuts, panel-grounding hardware, and sealing washers for wall-mounting holes
- Installation instructions for enclosure and accessories are provided

Finish

Enclosures are unpainted. Door and body have smooth #4 brushed finish. Optional mild steel panels are painted white. Optional conductive panels are available.

Industry Standards

Mounting brackets required to meet UL/CSA external mounting requirements.

UL 508A, File No. E61997: Type 3R, 4, 4X, and 12

NEMA/EEMAC Type 3R, 4, 4X, 12, and 13

CSA File No. 42186: Type 4, 4X, and 12

VDE IP66

IEC 60529, IP66

Meets Type 3RX requirements

Patents

This product covered by the following patents:

US 360,345

DE 9405854.7

US 5,509,703

US 5,666,695

Other patents pending.

Accessories

Corrosion Inhibitors
Data Pocket
DIN3 Rails
Door Stop Kit
Lighting Kits
Mounting Brackets
Panels
Panels, NEMA
Terminal Block Kit Assembly
Thermal Accessories

Data Pockets for Solid Door Enclosures

- No pocket when enclosure B dimension = 12.00 in. (305mm)
- Small pocket when enclosure A dimension <30.00 in. (762mm) and B dimension is between 12 in. (305mm) and 20.00 in. (508mm)
- Large pocket when enclosure A dimension >30.00 in. (762mm) and B dimension is >20.00 in. (508mm)

Modification Services Program

You can customize this product to your unique requirements by specifying from these options:

- Enclosure height, width, depth
- Holes and cutouts in body, doors, subpanels
- Tapped holes in subpanels
- Fasteners, mounting channel in enclosure and subpanel
- Mounting (adds and deletes)
- Doors
- Subpanels
- Thermal management (louvers, fans, filters)
- Windows
- Standard accessories
- Drip shield

To order, contact your local Hoffman sales representative.

NOTE: For information about modifications outside the scope of the Modification Services program, contact your Hoffman sales representative.

CONCEPT® Stainless Steel Type 4X Wall-Mounted Enclosures

Standard Sizes CONCEPT® Stainless Steel Single-Door Wall-Mount Enclosures

Catalog Number	A x B x C in. (mm)	Stain- less Steel Type	Door Ga.	Body Ga.	CONCEPT Panel Catalog Number	Conductive Panel Catalog Number	Panel Size D x E (in.)	Panel Size D x E (mm)	Mounting G x H (in.)	Mounting G x H (mm)	Latch (qty)	Latch (style)	J (in.)	J (mm)
CSD12126SS	12.00 x 12.00 x 6.00 (305 x 305 x 152)	304	16	16	CP1212	CP1212G	10.20 x 10.20	259 x 259	10.50 x 10.50	267 x 267	1	1/4-turn	6.00	152
CSD12126SS6	12.00 x 12.00 x 6.00 (305 x 305 x 152)	316L	16	16	CP1212	CP1212G	10.20 x 10.20	259 x 259	10.50 x 10.50	267 x 267	1	1/4-turn	6.00	152
CSD16126SS	16.00 x 12.00 x 6.00 (406 x 305 x 152)	304	16	16	CP1612	CP1612G	14.20 x 10.20	361 x 259	14.50 x 10.50	368 x 267	1	1/4-turn	8.00	203
CSD16126SS6	16.00 x 12.00 x 6.00 (406 x 305 x 152)	316L	16	16	CP1612	CP1612G	14.20 x 10.20	361 x 259	14.50 x 10.50	368 x 267	1	1/4-turn	8.00	203
CSD16166SS	16.00 x 16.00 x 6.00 (406 x 406 x 152)	304	16	16	CP1616	CP1616G	14.20 x 14.20	361 x 361	14.50 x 14.50	368 x 368	1	1/4-turn	8.00	203
CSD16166SS6	16.00 x 16.00 x 6.00 (406 x 406 x 152)	316L	16	16	CP1616	CP1616G	14.20 x 14.20	361 x 361	14.50 x 14.50	368 x 368	1	1/4-turn	8.00	203
CSD20166SS	20.00 x 16.00 x 6.00 (508 x 406 x 152)	304	16	16	CP2016	CP2016G	18.20 x 14.50	462 x 361	18.50 x 14.50	470 x 368	1	1/4-turn	10.00	254
CSD20166SS6	20.00 x 16.00 x 6.00 (508 x 406 x 152)	316L	16	16	CP2016	CP2016G	18.20 x 14.50	462 x 361	18.50 x 14.50	470 x 368	1	1/4-turn	10.00	254
CSD20206SS	20.00 x 20.00 x 6.00 (508 x 508 x 152)	304	16	16	CP2020	CP2020G	18.20 x 18.20	462 x 462	18.50 x 18.50	470 x 470	1	1/4-turn	10.00	254
CSD20206SS6	20.00 x 20.00 x 6.00 (508 x 508 x 152)	316L	16	16	CP2020	CP2020G	18.20 x 18.20	462 x 462	18.50 x 18.50	470 x 470	1	1/4-turn	10.00	254
CSD16128SS	16.00 x 12.00 x 8.00 (406 x 305 x 203)	304	16	16	CP1612	CP1612G	14.20 x 10.20	361 x 259	14.50 x 10.50	368 x 267	1	1/4-turn	8.00	203
CSD16128SS6	16.00 x 12.00 x 8.00 (406 x 305 x 203)	316L	16	16	CP1612	CP1612G	14.20 x 10.20	361 x 259	14.50 x 10.50	368 x 267	1	1/4-turn	8.00	203
CSD16168SS	16.00 x 16.00 x 8.00 (406 x 406 x 203)	304	16	16	CP1616	CP1616G	14.20 x 14.20	361 x 361	14.50 x 14.50	368 x 368	1	1/4-turn	8.00	203
CSD16168SS6	16.00 x 16.00 x 8.00 (406 x 406 x 203)	316L	16	16	CP1616	CP1616G	14.20 x 14.20	361 x 361	14.50 x 14.50	368 x 368	1	1/4-turn	8.00	203
CSD16208SS	16.00 x 20.00 x 8.00 (406 x 508 x 203)	304	16	16	CP2016	CP2016G	18.20 x 14.20	462 x 361	14.50 x 18.50	368 x 470	1	1/4-turn	8.00	203
CSD16208SS6	16.00 x 20.00 x 8.00 (406 x 508 x 203)	316L	16	16	CP2016	CP2016G	18.20 x 14.20	462 x 361	14.50 x 18.50	368 x 470	1	1/4-turn	8.00	203
CSD20168SS	20.00 x 16.00 x 8.00 (508 x 406 x 203)	304	16	16	CP2016	CP2016G	18.20 x 14.20	462 x 361	18.50 x 14.50	470 x 368	1	1/4-turn	10.00	254
CSD20168SS6	20.00 x 16.00 x 8.00 (508 x 406 x 203)	316L	16	16	CP2016	CP2016G	18.20 x 14.20	462 x 361	18.50 x 14.50	470 x 368	1	1/4-turn	10.00	254
CSD20208SS	20.00 x 20.00 x 8.00 (508 x 508 x 203)	304	16	16	CP2020	CP2020G	18.20 x 18.20	462 x 462	18.50 x 18.50	470 x 470	1	1/4-turn	10.00	254
CSD20208SS6	20.00 x 20.00 x 8.00 (508 x 508 x 203)	316L	16	16	CP2020	CP2020G	18.20 x 18.20	462 x 462	18.50 x 18.50	470 x 470	1	1/4-turn	10.00	254
CSD24168SS	24.00 x 16.00 x 8.00 (610 x 406 x 203)	304	16	16	CP2416	CP2416G	22.20 x 14.20	564 x 361	22.50 x 14.50	572 x 368	1	1/4-turn	12.00	305
CSD24168SS6	24.00 x 16.00 x 8.00 (610 x 406 x 203)	316L	16	16	CP2416	CP2416G	22.20 x 14.20	564 x 361	22.50 x 14.50	572 x 368	1	1/4-turn	12.00	305
CSD24208SS	24.00 x 20.00 x 8.00 (610 x 508 x 203)	304	16	16	CP2420	CP2420G	22.20 x 18.20	564 x 462	22.50 x 18.50	572 x 470	1	1/4-turn	12.00	305
CSD24208SS6	24.00 x 20.00 x 8.00 (610 x 508 x 203)	316L	16	16	CP2420	CP2420G	22.20 x 18.20	564 x 462	22.50 x 18.50	572 x 470	1	1/4-turn	12.00	305
CSD24248SS	24.00 x 24.00 x 8.00 (610 x 610 x 203)	304	14	16	CP2424	CP2424	22.20 x 22.20	564 x 564	22.50 x 22.50	572 x 572	2	1/4-turn	5.00	127
CSD24248SS6	24.00 x 24.00 x 8.00 (610 x 610 x 203)	316L	14	16	CP2424	CP2424G	22.20 x 22.20	564 x 564	22.50 x 22.50	572 x 572	2	1/4-turn	5.00	127
CSD30248SS	30.00 x 24.00 x 8.00 (762 x 610 x 203)	304	14	16	CP3024	CP3024G	28.20 x 22.20	716 x 564	28.50 x 22.50	724 x 572	2	1/4-turn	5.00	127
CSD30248SS6	30.00 x 24.00 x 8.00 (762 x 610 x 203)	316L	14	16	CP3024	CP3024G	28.20 x 22.20	716 x 564	28.50 x 22.50	724 x 572	2	1/4-turn	5.00	127
CSD30308SS	30.00 x 30.00 x 8.00 (762 x 762 x 203)	304	14	14	CP3030	CP3030G	28.20 x 28.20	716 x 716	28.50 x 28.50	724 x 724	2	1/4-turn	5.00	127
CSD30308SS6	30.00 x 30.00 x 8.00 (762 x 762 x 203)	316L	14	14	CP3030	CP3030G	28.20 x 28.20	716 x 716	28.50 x 28.50	724 x 724	2	1/4-turn	5.00	127
CSD36248SS	36.00 x 24.00 x 8.00 (914 x 610 x 203)	304	14	16	CP3624	CP3624G	34.20 x 22.20	869 x 564	34.50 x 22.50	876 x 572	2	1/4-turn	5.00	127
CSD36248SS6	36.00 x 24.00 x 8.00 (914 x 610 x 203)	316L	14	16	CP3624	CP3624G	34.20 x 22.20	869 x 564	34.50 x 22.50	876 x 572	2	1/4-turn	5.00	127
CSD36308SS	36.00 x 30.00 x 8.00 (914 x 762 x 203)	304	14	14	CP3630	CP3630G	34.20 x 28.20	869 x 716	34.50 x 28.50	876 x 724	2	1/4-turn	5.00	127
CSD36308SS6	36.00 x 30.00 x 8.00 (914 x 762 x 203)	316L	14	14	CP3630	CP3630G	34.20 x 28.20	869 x 716	34.50 x 28.50	876 x 724	2	1/4-turn	5.00	127

Corrosion-Resistant
Enclosures

CONCEPT® Stainless Steel Type 4X Wall-Mounted Enclosures

Standard Sizes CONCEPT® Stainless Steel Single-Door Wall-Mount Enclosures (Cont.)

Catalog Number	A x B x C in. (mm)	Stain- less Steel Type	Door Ga.	Body Ga.	CONCEPT Panel Catalog Number	Conductive Panel Catalog Number	Panel Size D x E (in.)	Panel Size D x E (mm)	Mounting G x H (in.)	Mounting G x H (mm)	Latch (qty)	Latch (style)	J (in.)	J (mm)
CSD161210SS	16.00 x 12.00 x 10.00 (406 x 305 x 254)	304	16	16	CP1612	CP1612G	14.20 x 10.20	361 x 259	14.50 x 10.50	368 x 267	1	1/4-turn	8.00	203
CSD161210SS6	16.00 x 12.00 x 10.00 (406 x 305 x 254)	316L	16	16	CP1612	CP1612G	14.20 x 10.20	361 x 259	14.50 x 10.50	368 x 267	1	1/4-turn	8.00	203
CSD161610SS	16.00 x 16.00 x 10.00 (406 x 406 x 254)	304	16	16	CP1616	CP1616G	14.20 x 14.20	361 x 361	14.50 x 14.50	368 x 368	1	1/4-turn	8.00	203
CSD161610SS6	16.00 x 16.00 x 10.00 (406 x 406 x 254)	316L	16	16	CP1616	CP1616G	14.20 x 14.20	361 x 361	14.50 x 14.50	368 x 368	1	1/4-turn	8.00	203
CSD162010SS	16.00 x 20.00 x 10.00 (406 x 508 x 254)	304	16	16	CP2016	CP2016G	18.20 x 14.20	462 x 361	14.50 x 18.50	368 x 470	1	1/4-turn	8.00	203
CSD162010SS6	16.00 x 20.00 x 10.00 (406 x 508 x 254)	316L	16	16	CP2016	CP2016G	18.20 x 14.20	462 x 361	14.50 x 18.50	368 x 470	1	1/4-turn	8.00	203
CSD201610SS	20.00 x 16.00 x 10.00 (508 x 406 x 254)	304	16	16	CP2016	CP2016G	18.20 x 14.20	462 x 361	18.50 x 14.50	470 x 368	1	1/4-turn	10.00	254
CSD201610SS6	20.00 x 16.00 x 10.00 (508 x 406 x 254)	316L	16	16	CP2016	CP2016G	18.20 x 14.20	462 x 361	18.50 x 14.50	470 x 368	1	1/4-turn	10.00	254
CSD202010SS	20.00 x 20.00 x 10.00 (508 x 508 x 254)	304	16	16	CP2020	CP2020G	18.20 x 18.20	462 x 462	18.50 x 18.50	470 x 470	1	1/4-turn	10.00	254
CSD202010SS6	20.00 x 20.00 x 10.00 (508 x 508 x 254)	316L	16	16	CP2020	CP2020G	18.20 x 18.20	462 x 462	18.50 x 18.50	470 x 470	1	1/4-turn	10.00	254
CSD202410SS	20.00 x 24.00 x 10.00 (508 x 610 x 254)	304	16	16	CP2420	CP2420G	22.20 x 18.20	464 x 462	18.50 x 22.50	470 x 572	1	1/4-turn	10.00	254
CSD202410SS6	20.00 x 24.00 x 10.00 (508 x 610 x 254)	316L	16	16	CP2420	CP2420G	22.20 x 18.20	464 x 462	18.50 x 22.50	470 x 572	1	1/4-turn	10.00	254
CSD241610SS	24.00 x 16.00 x 10.00 (610 x 406 x 254)	304	16	16	CP2416	CP2416G	22.20 x 14.20	564 x 361	22.50 x 14.50	572 x 368	1	1/4-turn	12.00	305
CSD241610SS6	24.00 x 16.00 x 10.00 (610 x 406 x 254)	316L	16	16	CP2416	CP2416G	22.20 x 14.20	564 x 361	22.50 x 14.50	572 x 368	1	1/4-turn	12.00	305
CSD242010SS	24.00 x 20.00 x 10.00 (610 x 508 x 254)	304	16	16	CP2420	CP2420G	22.20 x 18.20	564 x 462	22.50 x 18.50	572 x 470	1	1/4-turn	12.00	305
CSD242010SS6	24.00 x 20.00 x 10.00 (610 x 508 x 254)	316L	16	16	CP2420	CP2420G	22.20 x 18.20	564 x 462	22.50 x 18.50	572 x 470	1	1/4-turn	12.00	305
CSD242410SS	24.00 x 24.00 x 10.00 (610 x 610 x 254)	304	14	16	CP2424	CP2424G	22.20 x 22.20	564 x 564	22.50 x 22.50	572 x 572	2	1/4-turn	5.00	127
CSD242410SS6	24.00 x 24.00 x 10.00 (610 x 610 x 254)	316L	14	16	CP2424	CP2424	22.20 x 22.20	564 x 564	22.50 x 22.50	572 x 572	2	1/4-turn	5.00	127
CSD243010SS	24.00 x 30.00 x 10.00 (610 x 762 x 254)	304	14	16	CP3024	CP3024G	28.20 x 22.20	716 x 564	22.50 x 28.50	572 x 724	2	1/4-turn	5.00	127
CSD243010SS6	24.00 x 30.00 x 10.00 (610 x 762 x 254)	316L	14	16	CP3024	CP3024G	28.20 x 22.20	716 x 564	22.50 x 28.50	572 x 724	2	1/4-turn	5.00	127
CSD302010SS	30.00 x 20.00 x 10.00 (762 x 508 x 254)	304	14	16	CP3020	CP3020G	28.20 x 18.20	716 x 462	28.50 x 18.50	724 x 470	2	1/4-turn	5.00	127
CSD302010SS6	30.00 x 20.00 x 10.00 (762 x 508 x 254)	316L	14	16	CP3020	CP3020G	28.20 x 18.20	716 x 462	28.50 x 18.50	724 x 470	2	1/4-turn	5.00	127
CSD302410SS	30.00 x 24.00 x 10.00 (762 x 610 x 254)	304	14	16	CP3024	CP3024G	28.20 x 22.20	716 x 564	28.50 x 22.50	724 x 572	2	1/4-turn	5.00	127
CSD302410SS6	30.00 x 24.00 x 10.00 (762 x 610 x 254)	316L	14	16	CP3024	CP3024G	28.20 x 22.20	716 x 564	28.50 x 22.50	724 x 572	2	1/4-turn	5.00	127
CSD303010SS	30.00 x 30.00 x 10.00 (762 x 762 x 254)	304	14	14	CP3030	CP3030G	28.20 x 28.20	716 x 716	28.50 x 28.50	724 x 724	2	1/4-turn	5.00	127
CSD303010SS6	30.00 x 30.00 x 10.00 (762 x 762 x 254)	316L	14	14	CP3030	CP3030G	28.20 x 28.20	716 x 716	28.50 x 28.50	724 x 724	2	1/4-turn	5.00	127
CSD362410SS	36.00 x 24.00 x 10.00 (914 x 610 x 254)	304	14	16	CP3624	CP3624G	34.20 x 22.20	869 x 564	34.50 x 22.50	876 x 572	2	1/4-turn	5.00	127
CSD362410SS6	36.00 x 24.00 x 10.00 (914 x 610 x 254)	316L	14	16	CP3624	CP3624G	34.20 x 22.20	869 x 564	34.50 x 22.50	876 x 572	2	1/4-turn	5.00	127
CSD363010SS	36.00 x 30.00 x 10.00 (914 x 762 x 254)	304	14	14	CP3630	CP3630G	34.20 x 28.20	869 x 716	34.50 x 28.50	876 x 724	2	1/4-turn	5.00	127
CSD363010SS6	36.00 x 30.00 x 10.00 (914 x 762 x 254)	316L	14	14	CP3630	CP3630G	34.20 x 28.20	869 x 716	34.50 x 28.50	876 x 724	2	1/4-turn	5.00	127
CSD482410SS	48.00 x 24.00 x 10.00 (1220 x 610 x 254)	304	14	14	CP4824	CP4824G	46.20 x 22.20	1173 x 564	46.50 x 22.50	1181 x 572	1	3-point	24.00	610
CSD482410SS6	48.00 x 24.00 x 10.00 (1220 x 610 x 254)	316L	14	14	CP4824	CP4824G	46.20 x 22.20	1173 x 564	46.50 x 22.50	1181 x 572	1	3-point	24.00	610

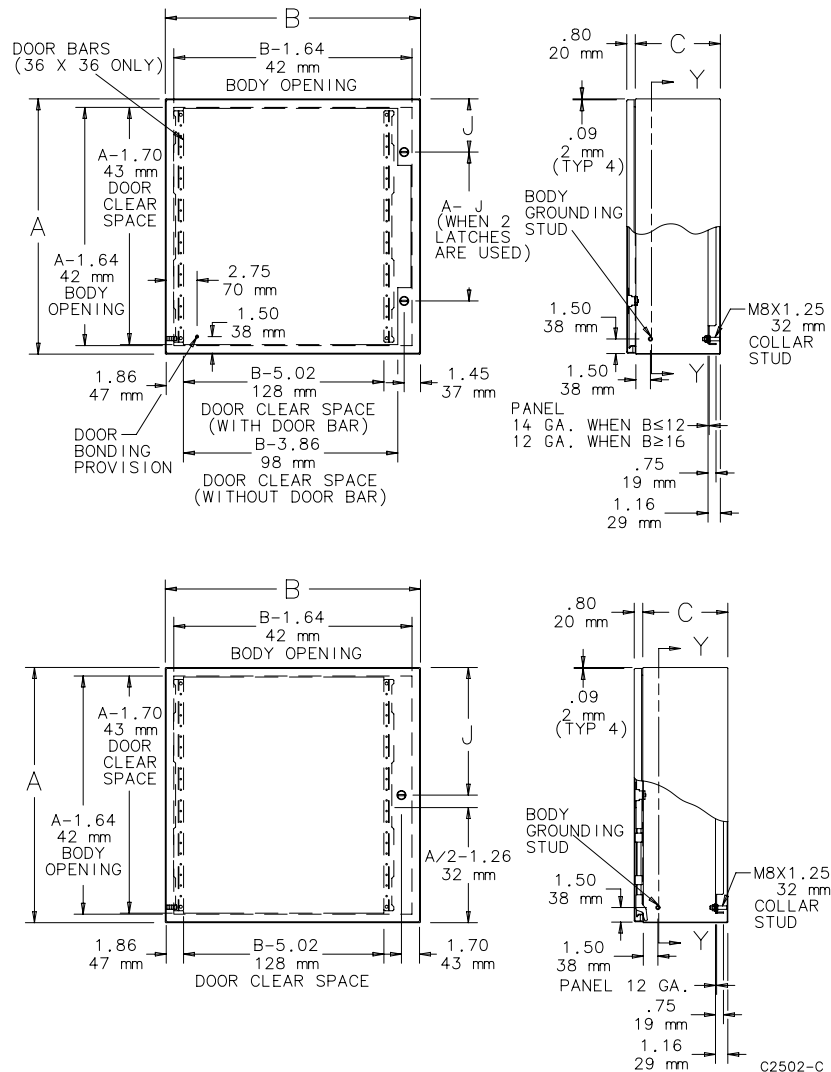
CONCEPT® Stainless Steel Type 4X Wall-Mounted Enclosures

Standard Sizes CONCEPT® Stainless Steel Single-Door Wall-Mount Enclosures (Cont.)

Catalog Number	A x B x C in. (mm)	Stain- less Steel Type	Door Ga.	Body Ga.	CONCEPT Panel Catalog Number	Conductive Panel Catalog Number	Panel Size D x E (in.)	Panel Size D x E (mm)	Mounting G x H (in.)	Mounting G x H (mm)	Latch (qty)	Latch (style)	J (in.)	J (mm)
CSD202012SS	20.00 x 20.00 x 12.00 (508 x 508 x 305)	304	14	14	CP2020	CP2020G	18.20 x 18.20	462 x 462	18.50 x 18.50	470 x 470	1	1/4-turn	10.00	254
CSD202012SS6	20.00 x 20.00 x 12.00 (508 x 508 x 305)	316L	14	14	CP2020	CP2020G	18.20 x 18.20	462 x 462	18.50 x 18.50	470 x 470	1	1/4-turn	10.00	254
CSD242412SS	24.00 x 24.00 x 12.00 (610 x 610 x 305)	304	14	14	CP2424	CP2424G	22.20 x 22.20	564 x 564	22.50 x 22.50	572 x 572	2	1/4-turn	5.00	127
CSD242412SS6	24.00 x 24.00 x 12.00 (610 x 610 x 305)	316L	14	14	CP2424	CP2424G	22.20 x 22.20	564 x 564	22.50 x 22.50	572 x 572	2	1/4-turn	5.00	127
CSD302412SS	30.00 x 24.00 x 12.00 (762 x 610 x 305)	304	14	14	CP3024	CP3024G	28.20 x 22.20	716 x 564	28.50 x 22.50	724 x 572	2	1/4-turn	5.00	127
CSD302412SS6	30.00 x 24.00 x 12.00 (762 x 610 x 305)	316L	14	14	CP3024	CP3024G	28.20 x 22.20	716 x 564	28.50 x 22.50	724 x 572	2	1/4-turn	5.00	127
CSD362412SS	36.00 x 24.00 x 12.00 (914 x 610 x 305)	304	14	14	CP3624	CP3624G	34.20 x 22.20	869 x 564	34.50 x 22.50	876 x 572	2	1/4-turn	5.00	127
CSD362412SS6	36.00 x 24.00 x 12.00 (914 x 610 x 305)	316L	14	14	CP3624	CP3624G	34.20 x 22.20	869 x 564	34.50 x 22.50	876 x 572	2	1/4-turn	5.00	127
CSD363012SS	36.00 x 30.00 x 12.00 (914 x 762 x 305)	304	14	14	CP3630	CP3630G	34.20 x 28.20	869 x 716	34.50 x 28.50	876 x 724	2	1/4-turn	5.00	127
CSD363012SS6	36.00 x 30.00 x 12.00 (914 x 762 x 305)	316L	14	14	CP3630	CP3630G	34.20 x 28.20	869 x 716	34.50 x 28.50	876 x 724	2	1/4-turn	5.00	127

Purchase panels separately.

Optional NEMA style steel and stainless steel panels require conversion kit catalog number CCPM4.



CONCEPT® Stainless Steel Type 4X Wall-Mounted Enclosures

Standard Sizes CONCEPT® Stainless Steel Single-Door Wall-Mounted Enclosures with Windows

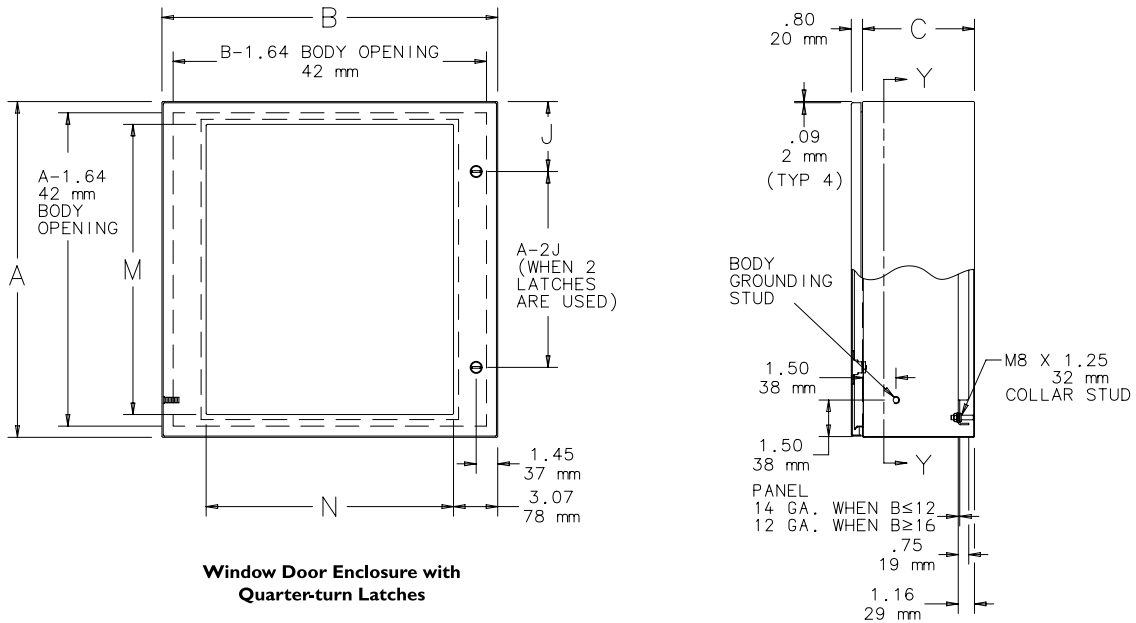
Type 304 Catalog Number	Door Ga.	Body Ga.	A x B x C in. (mm)	CONCEPT Panel Catalog Number	Conductive Panel Catalog Number	Panel Size D x E (in.)	Panel Size D x E (mm)	Mtg. G x H (in.)	Mtg. G x H (mm)	Window Size M x N (in.)	Window Size M x N (mm)	Latch qty	Latch style	J in. (mm)
CSD12126WSS	16	16	12.00 x 12.00 x 6.00 (305 x 305 x 152)	CP1212	CP1212G	10.20 x 10.20	259 x 259	10.50 x 10.50	267 x 267	8.74 x 7.10	222 x 180	1	1/4-turn	6.00 (152)
CSD16126WSS	16	16	16.00 x 12.00 x 6.00 (406 x 305 x 152)	CP1612	CP1612G	14.20 x 10.20	361 x 259	14.50 x 10.50	368 x 267	12.74 x 7.10	324 x 180	1	1/4-turn	8.00 (203)
CSD20166WSS	16	16	20.00 x 16.00 x 6.00 (508 x 406 x 152)	CP2016	CP2016G	18.20 x 14.20	462 x 361	18.50 x 14.50	470 x 368	16.74 x 11.10	425 x 282	1	1/4-turn	10.00 (254)
CSD20206WSS	16	16	20.00 x 20.00 x 6.00 (508 x 508 x 152)	CP2020	CP2020G	18.20 x 18.20	462 x 462	18.50 x 18.50	470 x 470	16.74 x 15.10	425 x 384	1	1/4-turn	10.00 (254)
CSD20168WSS	16	16	20.00 x 16.00 x 8.00 (508 x 406 x 203)	CP2016	CP2016G	18.20 x 14.20	462 x 361	18.50 x 14.50	470 x 368	16.74 x 11.10	425 x 282	1	1/4-turn	10.00 (254)
CSD20208WSS	16	16	20.00 x 20.00 x 8.00 (508 x 508 x 203)	CP2020	CP2020G	18.20 x 18.20	462 x 462	18.50 x 18.50	470 x 470	16.74 x 15.10	425 x 384	1	1/4-turn	10.00 (254)
CSD24208WSS	16	16	24.00 x 20.00 x 8.00 (610 x 508 x 203)	CP2420	CP2420G	22.20 x 18.20	564 x 462	22.50 x 18.50	572 x 470	20.74 x 15.10	527 x 384	1	1/4-turn	12.00 (305)
CSD24248WSS	14	16	24.00 x 24.00 x 8.00 (610 x 610 x 203)	CP2424	CP2424G	22.20 x 22.20	564 x 564	22.50 x 22.50	572 x 572	20.74 x 17.68	527 x 449	2	1/4-turn	5.00 (127)
CSD30248WSS	14	16	30.00 x 24.00 x 8.00 (762 x 610 x 203)	CP3024	CP3024G	28.20 x 22.20	716 x 564	28.50 x 22.50	724 x 572	26.74 x 17.68	679 x 449	2	1/4-turn	5.00 (127)
CSD161210WSS	16	16	16.00 x 12.00 x 10.00 (406 x 305 x 203)	CP1612	CP1612G	14.20 x 10.20	361 x 259	14.50 x 10.50	368 x 267	12.74 x 7.10	324 x 180	1	1/4-turn	8.00 (203)
CSD201610WSS	16	16	20.00 x 16.00 x 10.00 (508 x 406 x 203)	CP2016	CP2016G	18.20 x 14.20	462 x 361	18.50 x 14.50	470 x 368	16.74 x 11.10	425 x 282	1	1/4-turn	10.00 (254)
CSD202010WSS	16	16	20.00 x 20.00 x 10.00 (508 x 508 x 203)	CP2020	CP2020G	18.20 x 18.20	462 x 462	18.50 x 18.50	470 x 470	16.74 x 15.10	425 x 384	1	1/4-turn	10.00 (254)
CSD242010WSS	16	16	24.00 x 20.00 x 10.00 (610 x 508 x 203)	CP2420	CP2420G	22.20 x 18.20	564 x 462	22.50 x 18.50	572 x 470	20.74 x 15.10	527 x 384	1	1/4-turn	12.00 (305)
CSD242410WSS	14	16	24.00 x 24.00 x 10.00 (610 x 610 x 203)	CP2424	CP2424G	22.20 x 22.20	564 x 564	22.50 x 22.50	572 x 572	20.74 x 17.68	527 x 449	2	1/4-turn	5.00 (127)
CSD302410WSS	14	16	30.00 x 24.00 x 10.00 (762 x 610 x 203)	CP3024	CP3024G	28.20 x 22.20	716 x 564	28.50 x 22.50	724 x 572	26.74 x 17.68	679 x 449	2	1/4-turn	5.00 (127)
CSD202012WSS	14	16	20.00 x 20.00 x 12.00 (508 x 508 x 305)	CP2020	CP2020G	18.20 x 18.20	462 x 462	18.50 x 18.50	470 x 470	16.74 x 15.10	425 x 384	1	1/4-turn	10.00 (254)
CSD302412WSS	14	16	30.00 x 24.00 x 12.00 (762 x 610 x 305)	CP3024	CP3024G	28.20 x 22.20	716 x 564	28.50 x 22.50	724 x 572	26.74 x 17.68	679 x 449	2	1/4-turn	5.00 (127)

Purchase panels separately.

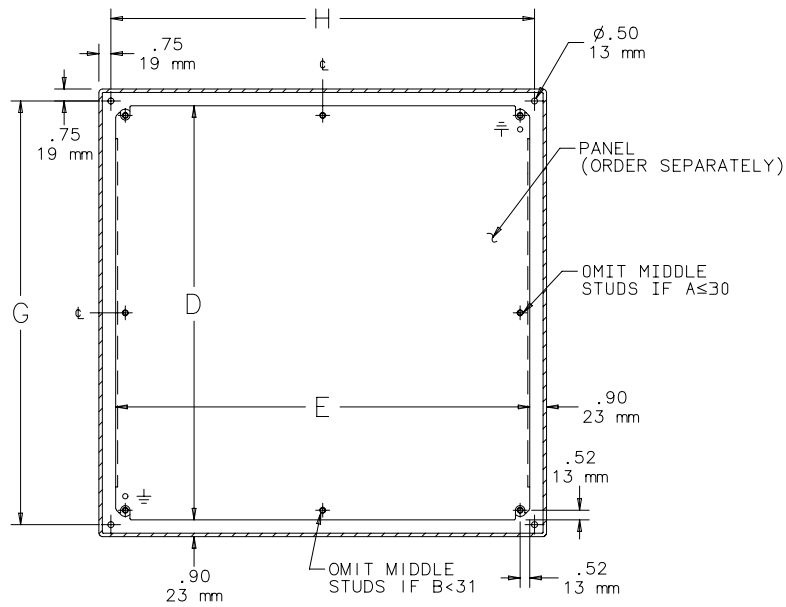
Optional NEMA style steel and stainless steel panels require conversion kit catalog number CCPM4.

CONCEPT® Stainless Steel Type 4X Wall-Mounted Enclosures

CONCEPT® Stainless Steel Single-Door Wall-Mount Enclosures with Windows



Window Door Enclosure with Quarter-turn Latches



SECTION Y-Y
(WITH PANEL INSTALLED)

C2503-C

Corrosion-Resistant
Enclosures