

QLINE® D

QLINE® D, Type 4X



Industry Standards

Polycarbonate Enclosure

UL 508A Listed; Type 4, 4X, 6, 12, 13; File No. E61997 cUL Listed per CSA C22.2 No 94; Type 4, 4X, 6, 12, 13; File No. E61997 Enclosure flammability evaluated per UL 508A
--

NEMA/EEMAC Type 4, 4X, 6, 12, 13
CSA File No. 42186: Type 4, 4X, 6, 12, 13
IEC 60529, IP67

ABS Enclosure

NEMA/EEMAC Type 4, 4X, 6, 12, 13
IEC 60529, IP67

Application

QLINE® D polycarbonate and ABS enclosures have contoured bodies with flush cover screws for an attractive, contemporary appearance. Tough as well as stylish, they are functional in corrosive environments and can withstand occasional submersion.

The ABS series shares the same features and similar physical properties as the polycarbonate but is a more economical, non-UL rated alternative.

Specifications

- Body is impact-resistant polycarbonate for PCD series and ABS for ABD series
- Opaque and clear covers are impact-resistant polycarbonate for PCD series and ABS for ABD series
- Polycarbonate material is easily punched, drilled, filed or sawed
- Straight side walls permit ganging of multiple enclosures
- Cross-point captivated cover screws are stainless steel
- Mounting holes molded directly adjacent to cover screws
- Cover screws protected by removable caps that are aesthetic and provide tamper resistance
- Molded internal pads for mounting optional panels, rails and other components
- Panel mounting feature on both body and cover
- Seamless foam-in-place gasket assures water-tight and dust-tight seal
- Screws provided for mounting optional panel
- Material is halogen free

Finish

Polycarbonate and ABS enclosures are light-gray (RAL 7035) inside and out. Optional panels are plated steel.

Accessories

See also Accessories.

Hardware Kit
Hinge Kit
HOL-SEALERS™ Non-Metallic Hole Seals
Mounting Bracket Kit

Modification and Customization

Hoffman excels at modifying and customizing products to your specifications. Contact your local Hoffman sales office or distributor for complete information.

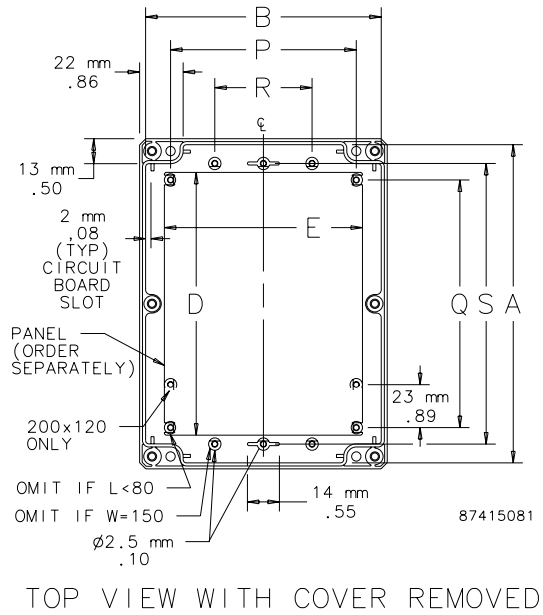
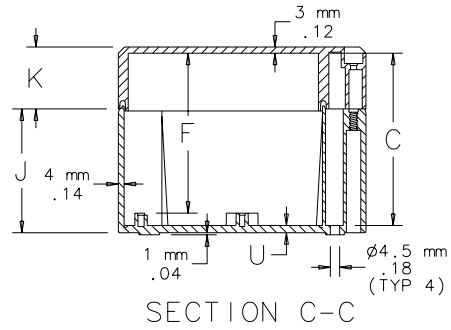
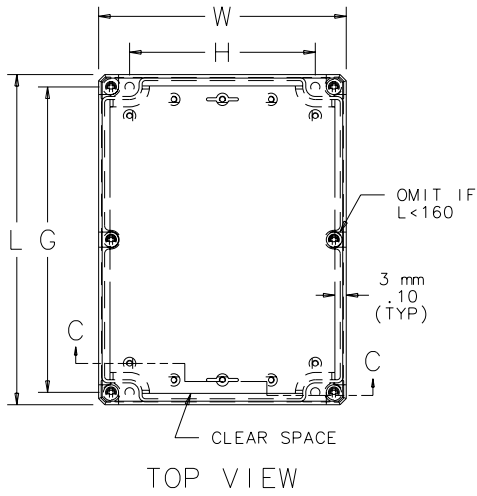
Bulletin: Q41

QLINE® D

Standard Product ABS

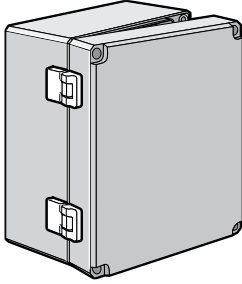
External Dimensions	Panel Size	Mtg.	F	J	K	P	Q	R	S	U				
Catalog Number	AxBxC mm/in.	Cover Style	L x W mm/in.	Panel	D x E mm/in.	G x H mm/in.	mm/in.	mm/in.	mm/in.	mm/in.	mm/in.	mm/in.		
Q554ABD	50 x 48 x 31 1.97 x 1.89 x 1.22	Opaque	55 x 53 2.17 x 2.09	—	—	43 x 41 1.69 x 1.61	28 1.10	25 .98	10 .39	16 .63	—	—	2 .08	
Q554ABDCC	50 x 48 x 31 1.97 x 1.89 x 1.22	Clear	55 x 53 2.17 x 2.09	—	—	43 x 41 1.69 x 1.61	28 1.10	25 .98	10 .39	16 .63	—	—	2 .08	
Q886ABD	76 x 74 x 49 2.99 x 2.91 x 1.93	Opaque	82 x 80 3.23 x 3.15	Q88PD	68 x 55 2.68 x 2.17	70 x 50 2.76 x 2.17	42 1.65	40 1.57	15 .59	58 2.28	44 1.73	—	58 2.28	3 .12
Q886ABDCC	76 x 74 x 49 2.99 x 2.91 x 1.93	Clear	82 x 80 3.23 x 3.15	Q88PD	68 x 55 2.68 x 2.17	70 x 50 2.76 x 2.17	42 1.65	40 1.57	15 .59	58 2.28	44 1.73	—	58 2.28	3 .12
Q1286ABD	114 x 74 x 49 4.49 x 2.91 x 1.93	Opaque	120 x 80 4.72 x 3.15	Q128PD	91 x 65 3.58 x 2.56	108 x 50 4.25 x 1.97	42 1.65	40 1.57	15 .59	58 2.28	82 3.23	—	96 3.78	3 .12
Q1286ABDCC	114 x 74 x 49 4.49 x 2.91 x 1.93	Clear	120 x 80 4.72 x 3.15	Q128PD	91 x 65 3.58 x 2.56	108 x 50 4.25 x 1.97	42 1.65	40 1.57	15 .59	58 2.28	82 3.23	—	96 3.78	3 .12
Q1686ABD	154 x 74 x 49 6.06 x 2.91 x 1.93	Opaque	160 x 80 6.30 x 3.15	Q168PD	131 x 65 5.16 x 2.56	148 x 50 5.83 x 1.97	42 1.65	40 1.57	15 .59	58 2.28	122 4.80	—	136 5.35	3 .12
Q1686ABDCC	154 x 74 x 49 6.06 x 2.91 x 1.93	Clear	160 x 80 6.30 x 3.15	Q168PD	131 x 65 5.16 x 2.56	148 x 50 5.83 x 1.97	42 1.65	40 1.57	15 .59	58 2.28	122 4.80	—	136 5.35	3 .12
Q12126ABD	116 x 114 x 49 4.57 x 4.49 x 1.93	Opaque	122 x 120 4.80 x 4.72	Q1212PD	105 x 93 4.13 x 3.66	110 x 90 4.33 x 3.54	42 1.65	40 1.57	15 .59	98 3.86	84 3.31	—	98 3.86	3 .12
Q12126ABDCC	116 x 114 x 49 4.57 x 4.49 x 1.93	Clear	122 x 120 4.80 x 4.72	Q1212PD	105 x 93 4.13 x 3.66	110 x 90 4.33 x 3.54	42 1.65	40 1.57	15 .59	98 3.86	84 3.31	—	98 3.86	3 .12
Q20158ABD	193 x 143 x 69 7.60 x 5.63 x 2.72	Opaque	200 x 150 7.87 x 5.91	Q2015PD	170 x 128 6.69 x 5.04	188 x 120 7.40 x 4.72	62 2.44	60 2.36	15 .59	118 4.65	160 6.30	118 4.65	176 6.93	3 .12
Q20158ABDCC	193 x 143 x 69 7.60 x 5.63 x 2.72	Clear	200 x 150 7.87 x 5.91	Q2015PD	170 x 128 6.69 x 5.04	188 x 120 7.40 x 4.72	62 2.44	60 2.36	15 .59	118 4.65	160 6.30	118 4.65	176 6.93	3 .12
Q889ABD	76 x 74 x 79 2.99 x 2.91 x 3.11	Opaque	82 x 80 3.23 x 3.15	Q88PD	68 x 55 2.68 x 2.17	70 x 50 2.76 x 1.97	72 2.83	70 2.76	15 .59	58 2.28	44 1.73	37 1.46	58 2.28	3 .12
Q889ABDCC	76 x 74 x 79 2.99 x 2.91 x 3.11	Clear	82 x 80 3.23 x 3.15	Q88PD	68 x 55 2.68 x 2.17	70 x 50 2.76 x 1.97	72 2.83	70 2.76	15 .59	58 2.28	44 1.73	37 1.46	58 2.28	3 .12
Q1289ABD	113 x 73 x 79 4.45 x 2.87 x 3.11	Opaque	120 x 80 4.72 x 3.15	Q128PD	91 x 65 3.58 x 2.56	108 x 50 4.25 x 1.97	72 2.83	70 2.76	15 .59	58 2.28	82 3.23	—	58 2.28	3 .12
Q1289ABDCC	113 x 73 x 79 4.45 x 2.87 x 3.11	Clear	120 x 80 4.72 x 3.15	Q128PD	91 x 65 3.58 x 2.56	108 x 50 4.25 x 1.97	72 2.83	70 2.76	15 .59	58 2.28	82 3.23	—	58 2.28	3 .12
Q1689ABD	153 x 73 x 79 6.02 x 2.87 x 3.11	Opaque	160 x 80 6.30 x 3.15	Q168PD	131 x 65 5.16 x 2.56	148 x 50 5.83 x 1.97	72 2.83	70 2.76	15 .59	58 2.28	122 4.80	—	136 5.35	3 .12
Q1689ABDCC	153 x 73 x 79 6.02 x 2.87 x 3.11	Clear	160 x 80 6.30 x 3.15	Q168PD	131 x 65 5.16 x 2.56	148 x 50 5.83 x 1.97	72 2.83	70 2.76	15 .59	58 2.28	122 4.80	—	136 5.35	3 .12
Q12129ABD	116 x 114 x 79 4.57 x 4.49 x 3.11	Opaque	122 x 120 4.80 x 4.72	Q1212PD	105 x 93 4.13 x 3.66	110 x 90 4.33 x 3.54	72 2.83	70 2.76	15 .59	98 3.86	84 3.31	97 3.82	98 3.86	3 .12
Q12129ABDCC	116 x 114 x 79 4.57 x 4.49 x 3.11	Clear	122 x 120 4.80 x 4.72	Q1212PD	105 x 93 4.13 x 3.66	110 x 90 4.33 x 3.54	72 2.83	70 2.76	15 .59	98 3.86	84 3.31	97 3.82	98 3.86	3 .12
Q20129ABD	193 x 113 x 79 7.60 x 4.45 x 3.11	Opaque	200 x 120 7.87 x 4.72	Q2012PD	170 x 100 6.69 x 3.94	188 x 90 7.40 x 3.54	72 2.83	70 2.76	15 .59	90 3.54	160 6.30	40 1.67	176 6.93	3 .12
Q20129ABDCC	193 x 113 x 79 7.60 x 4.45 x 3.11	Clear	200 x 120 7.87 x 4.72	Q2012PD	170 x 100 6.69 x 3.94	188 x 90 7.40 x 3.54	72 2.83	70 2.76	15 .59	90 3.54	160 6.30	40 1.67	176 6.93	3 .12
Q30239ABD	293 x 223 x 79 11.54 x 8.78 x 3.11	Opaque	300 x 230 11.81 x 9.05	Q3023PD	265 x 210 10.43 x 8.27	288 x 200 11.34 x 7.87	73 2.87	55 2.17	30 1.18	198 7.80	255 10.04	160 6.30	275 10.83	4 .16
Q30239ABDCC	293 x 223 x 79 11.54 x 8.78 x 3.11	Clear	300 x 230 11.81 x 9.05	Q3023PD	265 x 210 10.43 x 8.27	288 x 200 11.34 x 7.87	73 2.87	55 2.17	30 1.18	198 7.80	255 10.04	160 6.30	275 10.83	4 .16
Q16129ABD	153 x 113 x 84 6.02 x 4.45 x 3.31	Opaque	160 x 120 6.30 x 4.72	Q1612PD	130 x 100 5.12 x 3.94	148 x 90 5.83 x 3.54	78 3.07	60 2.36	30 1.18	90 3.54	120 4.72	—	136 5.35	3 .12
Q16129ABDCC	153 x 113 x 84 6.02 x 4.45 x 3.31	Clear	160 x 120 6.30 x 4.72	Q1612PD	130 x 100 5.12 x 3.94	148 x 90 5.83 x 3.54	78 3.07	60 2.36	30 1.18	90 3.54	120 4.72	—	136 5.35	3 .12
Q24169ABD	233 x 153 x 84 9.17 x 6.02 x 3.31	Opaque	240 x 160 9.45 x 6.30	Q2416PD	211 x 148 8.31 x 5.83	228 x 130 8.98 x 5.12	78 3.07	75 2.95	15 .59	138 5.43	202 7.95	75 2.95	215 8.46	4 .16
Q24169ABDCC	233 x 153 x 84 9.17 x 6.02 x 3.31	Clear	240 x 160 9.45 x 6.30	Q2416PD	211 x 148 8.31 x 5.83	228 x 130 8.98 x 5.12	78 3.07	75 2.95	15 .59	138 5.43	202 7.95	75 2.95	215 8.46	4 .16
Q302311ABD	293 x 223 x 104 11.54 x 8.78 x 4.09	Opaque	300 x 230 11.81 x 9.06	Q3023PD	265 x 210 10.43 x 8.27	288 x 200 11.34 x 7.87	98 3.86	55 2.17	55 2.17	198 7.80	255 10.04	160 6.30	275 10.83	4 .16
Q302311ABDCC	293 x 223 x 104 11.54 x 8.78 x 4.09	Clear	300 x 230 11.81 x 9.06	Q3023PD	265 x 210 10.43 x 8.27	288 x 200 11.34 x 7.87	98 3.86	55 2.17	55 2.17	198 7.80	255 10.04	160 6.30	275 10.83	4 .16
Q241612ABD	233 x 153 x 114 9.17 x 6.02 x 4.49	Opaque	240 x 160 9.45 x 6.30	Q2416PD	211 x 148 8.31 x 5.83	228 x 130 8.98 x 5.12	108 4.25	75 2.95	45 1.77	75 2.95	202 7.95	75 2.95	215 8.46	4 .16
Q241612ABDCC	233 x 153 x 114 9.17 x 6.02 x 4.49	Clear	240 x 160 9.45 x 6.30	Q2416PD	211 x 148 8.31 x 5.83	228 x 130 8.98 x 5.12	108 4.25	75 2.95	45 1.77	75 2.95	202 7.95	75 2.95	215 8.46	4 .16

QLINE® D



QLINE® D

Hinge Kit

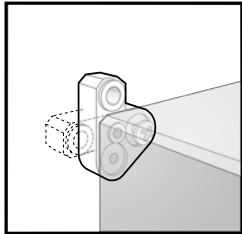


Hinge Kit includes two polyamide hinges, eight M4 self-tapping, plated screws, eight flat washers and drilling templates. Use on all QLINE® D enclosures. *Hinge Kit meets Type 4 requirements.*

Bulletin: Q41Y

Catalog Number
QDEHK

Mounting Bracket Kit

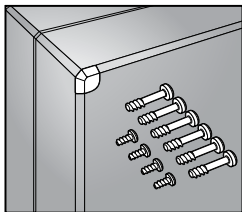


Mounting Bracket Kit has four polycarbonate brackets and four M4 self-tapping, plated screws. Kit is field-installable. Use on all QLINE® D enclosures. Maintains listed ratings for enclosure.

Bulletin: Q41Y

Catalog Number
QDMFK

Hardware Kit

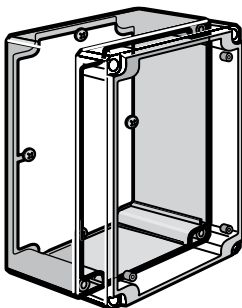


Hardware Kit includes six self-tapping, stainless steel cover screws, four self-tapping plated panel screws and six removable plastic caps that fit over the screws to provide tamper resistance as well as a clean aesthetic appearance. This kit is offered as a replacement kit for lost or damaged hardware originally furnished with the enclosure.

Bulletin: Q41Y

Catalog Number
QDHK

Panels



Bulletin: Q41Y

Catalog Number	Panel Size D x E mm/in.	Mounting G x H mm/in.
Q88PD	68 x 55 2.68 x 2.17	70 x 50 2.76 x 1.97
Q128PD	91 x 65 3.58 x 2.56	108 x 50 4.25 x 1.97
Q168PD	131 x 65 5.16 x 2.56	148 x 50 5.83 x 1.97
Q1212PD	105 x 93 4.13 x 3.66	110 x 90 4.33 x 3.54
Q1612PD	130 x 100 5.12 x 3.94	148 x 90 5.83 x 3.54
Q2012PD	170 x 100 6.69 x 3.94	188 x 90 7.40 x 3.54
Q2015PD	170 x 128 6.69 x 5.04	188 x 120 7.40 x 4.72
Q2416PD	211 x 148 8.31 x 5.83	228 x 130 8.98 x 5.12
Q3023PD	265 x 210 10.43 x 8.27	288 x 200 11.34 x 7.87

