



Energy Division

TL Series Photocontrol Slim Profile

Tyco Electronics TL Series provides a slim profile ideal for installation in compact areas. An adjustable swivel base design allows maximum installation flexibility.

Features

- Adjustable Swivel Base
- Thin Line Profile-Perfect for Tight Spots
- UL Listed and CSA Certified
- Durable Polycarbonate Housing
- 30-45 Second Time Delay
- Fail Mode is ON

Innovative Design

Tyco Electronics innovative cylindrical design will fit between twin flood lights and in other tight applications.

Durable Housing

The TL Series photocontrol is constructed of a high impact UV stabilized polycarbonate housing for superior quality.

Key Benefits

Controls are equipped with a field adjustable swivel base that makes it easy to direct the photocell away from stray light.

The TL Series also has a heavy-duty bi-metal switch that provides a 30-45 second time delay virtually eliminating unwanted lamp cycling caused by lightning, car headlights, or other sudden changes in ambient light level.

Common Uses for the TL Series

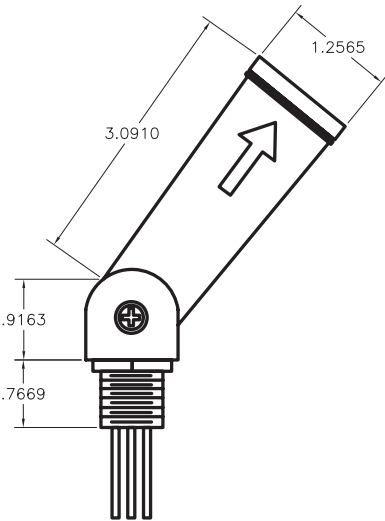
- Between Flood Lights
- Tight Applications
- Unaccommodating Locations

Tyco Electronics' photocontrols can be used to safely control luminaries with incandescent, HID, or compact fluorescent lamps.

 **Tyco Electronics**

Our commitment. Your advantage.

The TL Series is the result of over fifty years of experience designing and delivering superior photocontrols and other lighting accessories in the US and around the world.



Features

Switch	SPST thermal bi-metallic
Fail Mode	ON (contacts normally closed)
Switch Lifetime	Exceeds 5,000 ON/OFF operations
Housing	Polycarbonate with UV resistant window
Lead Wires	6", #18 AWG, rated 105°C
Nipple	1/2" pipe
Nut	1/2" pipe, zinc die-cast

Specifications

Physical	- Enclosure: designed to meet ANSI C136.10
	- Power consumption: less than 0.9 Watts (avg.) at 120 VAC
Temperature	- Minus 40°C to plus 65°C @ 96% RH
Load Rating	- 1800 Watt Tungsten 1100 VA
Light Sensor	- Cadmium Sulfide Cell

Selection Information

Model	Rated Volts	Range (Volts)	Load Rating Tungsten (Watts)	Load Rating Ballast (VA)	Turn ON (Fc)	OFF/ON Ratio
TL-115	120	105 - 130	1800	1100	1.5	5 : 1
CPGI-ALR-TL-115	120	105 - 130	1800	1100	1.5	5 : 1
TL-1168	240	185 - 305	1200	1100	1.5	5 : 1

Note: 6" Lead Wires

Tyco Electronics Corporation

8000 Purfoy Road
Fuquay Varina, NC 27526-9349
Tel: 800.327.6996
Fax: 800.527.8350
E-mail: naenergy@tycoelectronics.com
<http://energy.tycoelectronics.com/photocontrols>
www.tycoelectronics.com

Copyright 2008 Tyco Electronics Corporation.
All rights reserved.
9-1773453-0 E332 12/08

All of the above information, including drawings, illustrations and graphic designs, reflects our present understanding and is to the best of our knowledge and belief correct and reliable. Users, however, should independently evaluate the suitability of each product for the desired application. Under no circumstances does this constitute an assurance of any particular quality or performance. Such an assurance is only provided in the context of our product specifications or explicit contractual arrangements. Our liability for these products is set forth in our standard terms and conditions of sale. TE logo and Tyco Electronics are trademarks

Energy Division – A pioneer in the development of economical solutions for the electrical power industry. Our product range includes: cable accessories, connectors & fittings, electrical equipment, instruments, lighting controls, insulators & insulation enhancement and surge arresters.

Mike O'Toole
Tyco Electronics, Energy Inside Sales

ALR = Area Lighting Research. The name of the company who made these parts before Tyco purchased them. We keep the ALR as part of the part #'ing for brand recognition.

CPGI prefix designates a clam shell, see-thru package designed to hang on a rod in a retail environment. It also has a std pack qty of 10 pcs.

Non CPGI parts come in a thin cardboard box. You cannot see through it nor hang it but it easily opens for inspection of the part. Std pack qty on these is 12 pcs

The W suffix designates the inclusion of a wall plate. It is pictured above in the CPGI packaging.

Thanks,

Mike O'Toole
Tyco Electronics, Energy Inside Sales
michael.otoole@te.com
Office Phone 1-800-327-6996, Industrial Option Fax 1-800-527-8350