

Energy Division

## AT Series Photocontrol Die-Cast Aluminum Housing

Tyco Electronics AT Series offers a durable control in areas where photocells are vulnerable to damage.

### Features

- Tough Die-Cast Aluminum Housing
- Heavy-Duty Thermal Bi-Metal Switch
- UL Listed
- 30-45 Second Time Delay
- 2000 & 3000 Watt Ratings
- Fail Mode is ON

### Innovative Design

The AT Series rugged die-cast aluminum housing makes it ideal for any outdoor installation.

### Key Benefits

Controls include a heavy-duty bi-metal switch that provides a 30-45 second time delay. This virtually eliminates unwanted lamp cycling that could be caused by lightning, car headlights, or other sudden changes in ambient light level.

Although the Turn-On level is pre-set at the factory, each AT control is furnished with an adjustable slide bar that allows field adjustment to satisfy specific needs.

### Common Uses for the AT Series

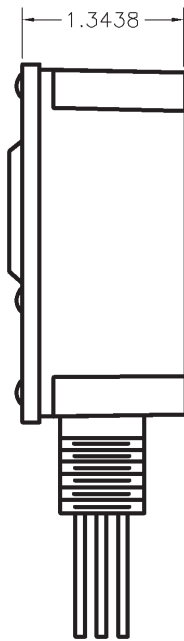
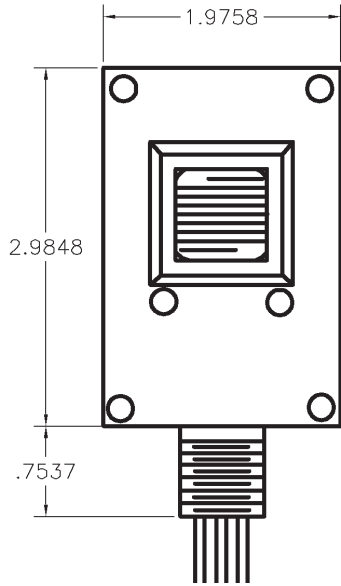
- Billboard Lighting
- Areas Vulnerable to Vandalism
- Commercial or Residential Use

*Tyco Electronics' photocontrols can be used to safely control luminaries with incandescent, HID, or compact fluorescent lamps.*

 **Tyco Electronics**

Our commitment. Your advantage.

The AT Series is the result of over fifty years of experience designing and delivering superior photocontrols and other lighting accessories in the US and around the world.



#### Features

Switch	SPST thermal bi-metallic
Fail Mode	ON (contacts normally closed)
Switch Lifetime	Exceeds 5,000 ON/OFF operations
Housing	Die-cast aluminum with UV resistant window
Lead Wires	6", #10 AWG, rated 105°C (models AT-30, 368, & 39) 6", #14 AWG, rated 105°C (all other models)
Nipple	1/2" pipe
Nut	1/2" pipe, zinc die-cast

#### Specifications

Physical	- Enclosure: designed to meet ANSI C136.10 - Power consumption: less than 0.9 Watts avg. at 120 VAC
Temperature	- Minus 40°C to plus 65°C @ 96% RH
Load Rating	- 2000/3000 Watt Tungsten 1900/2900 VA
Light Sensor	- Cadmium Sulfide Cell

#### Selection Information

Model	Rated Volts	Range (Volts)	Load Rating Tungsten (Watts)	Load Rating Ballast (VA)	Turn ON (Fc)	OFF/ON Ratio
AT-15	120	105 - 130	2000	1900	1.5	6 : 1
AT-168	240	185 - 305	2000	1900	1.5	6 : 1
AT-19*	480	420 - 530	2000	1900	1.5	6 : 1
AT-20	120/208/240/277	105 - 305	2000	1900	1.5	6 : 1
AT-30*	120	105 - 130	3000	2900	1.5	6 : 1
AT-368*	240	180 - 305	3000	2900	1.5	6 : 1
AT-39*	480	420 - 530	3000	2900	1.5	6 : 1

Note: 6" Lead Wires

\*Not: UL and CSA Listed

Mike O'Toole  
Tyco Electronics, Energy Inside Sales

ALR = Area Lighting Research. The name of the company who made these parts before Tyco purchased them. We keep the ALR as part of the part #'ing for brand recognition.

CPGI prefix designates a clam shell, see-thru package designed to hang on a rod in a retail environment. It also has a std pack qty of 10 pcs.

Non CPGI parts come in a thin cardboard box. You cannot see through it nor hang it but it easily opens for inspection of the part. Std pack qty on these is 12 pcs

The W suffix designates the inclusion of a wall plate. It is pictured above in the CPGI packaging.

Thanks,

Mike O'Toole  
Tyco Electronics, Energy Inside Sales  
michael.otoole@te.com  
Office Phone 1-800-327-6996, Industrial Option Fax 1-800-527-8350