



Main

Range of product	Zelio Control
Product or component type	Modular measurement and control relays
Relay type	Temperature control relays
Product specific application	Heating or cooling HVAC Industrial machines Packaging
Relay name	REG

Complementary

Outer dimension	1/16 DIN 48 x 48 mm
Analogue input type	Current 0...20 mA Current 4...20 mA Voltage 0...0.1 V Voltage 0...10 V Voltage 0...5 V Voltage 1...5 V Voltage 2...10 V Thermocouple (thermocouple J, K, R, B, S, T, E, N, PLII) Temperature probe (temperature probe: Pt 100)
[Us] rated supply voltage	100...240 V AC
Supply voltage limits	85...264 V
Measurement accuracy	0.3 % full scale
Sampling duration	200 ms
Number of outputs	1 relay output with NO contact
Output type	Relay 220 V AC 3 A
Alarm output	2 C/O
Power consumption in VA	12 VA at 100...240 V AC
Function available	Auto tuning Fuzzy logic Hysteresis on-off Manual operation PID Ramp 16 steps Soft start
Marking	CE
Operating position	Any position
Display type	7 segments LCD
Display digits	4
Signalling function	Setpoint value indicator (SV) with LED green Process output 1 active (C1) with LED red Process value with LCD display Alarm output 1 active (D01) with LED green Alarm output 2 active (D02) with LED green Process output 2 active (C2) with LED red Process value indicator (PV) with LED red Setpoint value with LCD display
Mounting support	Panel

Environment

standards	EN 61010-1 EN 61326-1 CSA C22.2 No 24-93
product certifications	CURus (873)

The information provided in this documentation contains general descriptions and/or technical characteristics of the products contained herein. This documentation is not intended as a substitute for and is not to be used for determining suitability or reliability of these products for specific user applications. It is the duty of any such user or integrator to perform the appropriate and complete risk analysis, evaluation and testing of the products with respect to the relevant specific application or use thereof. Neither Schneider Electric Industries SAS nor any of its affiliates or subsidiaries shall be responsible or liable for misuse of the information contained herein.

GOST

ambient air temperature for storage	-4...140 °F (-20...60 °C)
ambient air temperature for operation	14...122 °F (-10...50 °C)
relative humidity	90 % without condensation
operating altitude	6561.68 ft (2000 m)
storage altitude	0...9842.52 ft (0...3000 m)
vibration resistance	1 gn at 10...70 Hz conforming to IEC 60068-2-6
shock resistance	5 gn conforming to IEC 60068-2-27
IP degree of protection	(front face) conforming to IEC 60529 (rear)
NEMA degree of protection	NEMA 4X (front face)

Offer Sustainability

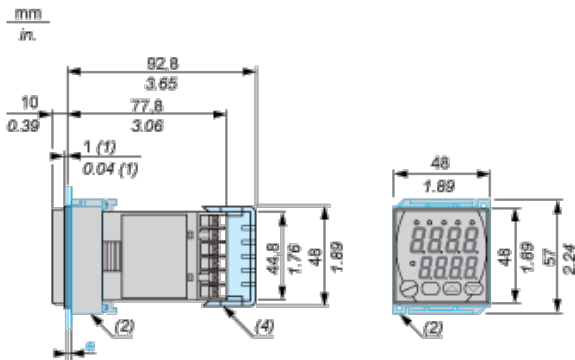
Not Green Premium product	Not Green Premium product
Compliant - since 0940 - Schneider Electric declaration of conformity	Compliant - since 0940 - Schneider Electric declaration of conformity
Available	Available

Contractual warranty

Warranty period	18 months
-----------------	-----------

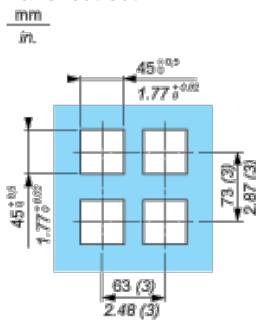
48 x 48 Size – 1/16 DIN Standard

Panel Mounting: Bracket Supplied



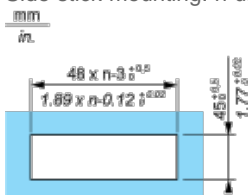
- (1) Seal
- (2) Fixing brackets supplied with REG temperature control relays.
- (4) Terminal block cover, to be ordered separately.

Panel cut-out



- (3) Minimum value.

Side stick mounting: n units (water-proof property lost in this case)



Temperature Control Relays

Wiring Diagram

