

Introduction



Digital Panel Meters are found anywhere a process variable needs to be indicated. Volts, current, pressure, volume, temperature and frequency are typical applications. The product's short depth makes it flexible and accommodating to panel builder needs. A variety of input and output options allows Eaton/Durant DPMs to be used virtually anywhere.

Application Examples

- Monitor current draw from motor to identify potential failures
- Display pressure reading from transducer with high-pressure alarm
- Display system voltage and detect under voltage or over voltage conditions

Digital Panel Meters Product Family Overview

Table 59. Product Family Overview

Product Family	Characteristics	Panel Cutout in Inches (mm)	Page Number
 <p><i>E5-324-E</i></p>	<ul style="list-style-type: none"> ■ Bright, easy-to-read LED in 1/32 DIN package ■ Programmable scaling of inputs ■ Input for Display-Hold ■ 24V DC power 	0.870 x 1.772 (22 x 44)	58
 <p><i>Eclipse</i></p>	<ul style="list-style-type: none"> ■ 6-digit, super bright LED display ■ Multiple models available: DC Voltage, AC Voltage, DC Current, AC Current, 5A AC Current, 4 – 20 mA / 0 – 10V Process Meter ■ Various output options including Relay, Analog and RS-485 	1.772 x 1.622 (45 x 92)	59

E5-324-E Series

Contents

Description	Page
Digital Panel Meters	
E5-324-E Series	58
Eclipse Series	59



Cat. No. E5-324-E0402

Features

- Galvanic isolation with protection against incorrect polarity
- Automatic MIN/MAX value detection
- Freely programmable characteristic curve end points
- Input Range —
 - 1 current measuring input
 - 1 voltage measuring input
- Compact display for analog standard signals
- Display range -19.999 to 99.999 with zero blanking
- Modern industrial design
- Input for Display-Hold

Standards and Certifications

- UL Recognized
- CE Marked

Technical Data and Specifications

- Supply Voltage: 10 – 30V DC, galvanically isolated with integrated protection against incorrect polarity
- Current Consumption: Max. 50 mA
- Display: 5-digit display, red 7-segment LEDs; 0.31 Inch (8 mm) high
- Measuring Rate: 2 measurements/second
- Data Backup: EEPROM
- Housing: Housing for control panel 1.898 x 0.94 Inch (48 x 24 mm); Acc. to DIN 43 700, RAL 7021, dark gray

- Ambient Temperature: 14 to 122° F (-10 to 50°C)
- EMC: According to EC EMC directive 89/36/EEC
- Interference Emissions: EN 61 000-6-4/ EN 55011 Class B
- Interference Resistance: EN 61 000-6-2
- Protection: IP65 (front)
- Input Current Measurement: 0 – 20 mA, 4 – 20 mA, voltage drop max. 1.5V DC
- Input Voltage Measurement: 0 – 10V, 2 – 10V
 - Input resistance approx.: 1 MΩ
 - Max. input signal level: 30V DC
- Control Inputs —
 - High: 4 – 30V DC
 - Low: 0 – 2V DC
- Resolution: 14 bits
- Error: <0.1% For the whole measuring range at an ambient temperature of 68°F (20°C)
- Weight: Approx. 1.76 oz (50 g)
- Connection Technique: Screw terminal, pitch 0.2 Inch (5.08 mm), 7 poles

Product Selection

Table 60. Product Selection — E5-324-E0402

Description	Catalog Number	*
LED Digital Panel Meter, 24 x 48 mm	E5-324-E0402	

Dimensions

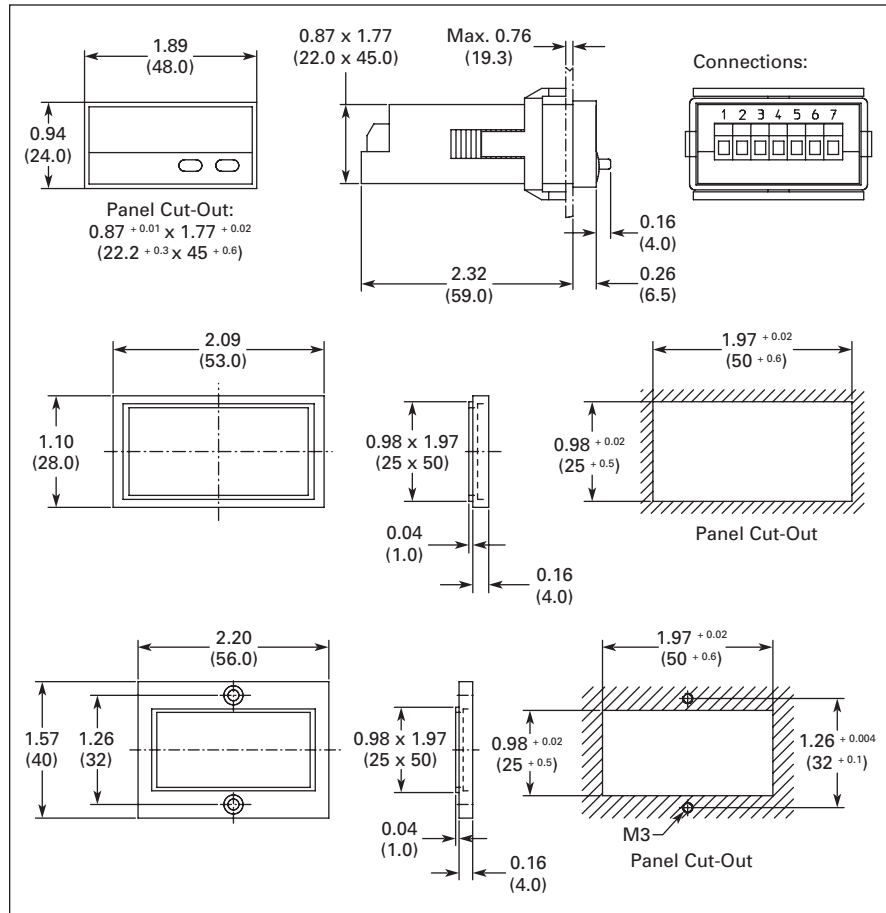


Figure 54. E5-324-E Series — Approximate Dimensions in Inches (mm)

Discount Symbol CC-4