



BAT-ANT-TNC-B-D-085-02

Industrial Networking:Industrial Ethernet:Wireless LAN:Accessories:Antenna

Delivery informations

Availability	available
Document created at	22.05.2009

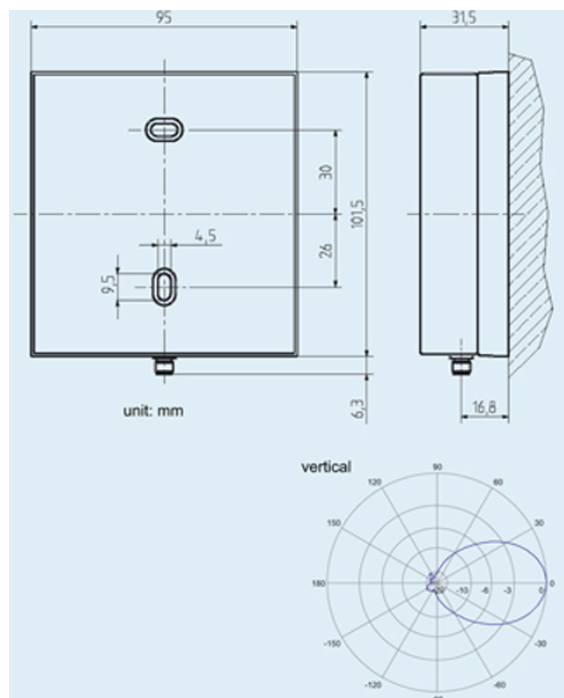
Product description

Description	directional antenna linear for 2.4 GHz
Type	BAT-ANT-TNC-B-D-085-02
Order No.	943 903-411
Cable length	2 m
Cable specification	RP-SMA plug to TNC plug, 1.5 dB at 2.4 GHz

Radio technology

Frequency band	2300 MHz - 2500 MHz
Polarisation	linear, vertical
Elevation, Azimuth	3 dB beam width 60° / 75°
VSWR	1.5
Gain	8.5 dBi
Antenna connector	TNC female

Drawing



Ambient conditions

Operating temperature	-40 °C to +80 °C
Storage/transport temperature	-40 °C to +80 °C

Wind load 15 N at 160 km/h

Mechanical construction

Dimensions (W x H x D) 101 mm x 95 mm x 32 mm

Mounting wall, mast

Protection class IP55

Material ASA

Weight 0.11 kg

Scope of delivery and accessories

Scope of delivery antenna, 2 m cable, mounting material