

TECHNICAL SPECIFICATIONS

AudioLarm II

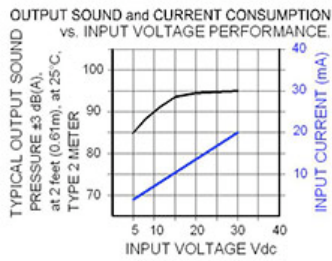
MB-09-530-Q(S)



More Information

Beep Tone

[UL Recognized](#)



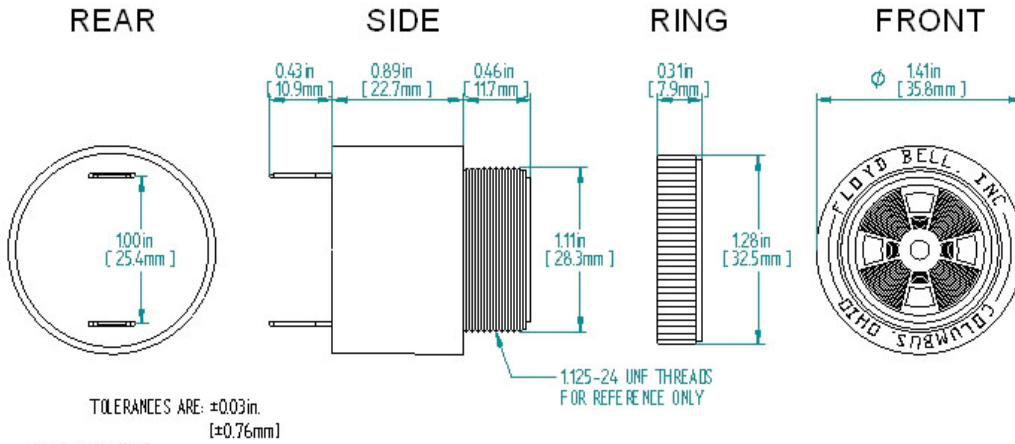
Specifications

Revision: 9.10

Medium Loud Beep Tone; Slow Rate; Panel Mount Case and Quick Connect Blades Termination

Mounting:	Panel Mount
Operating Mode:	Medium Loud Slow Beep Tone
Operating Voltage:	5-30 Vdc
Operating Frequency:	2900±250 Hz
Typical Operating Current:	2 mA at 5 Vdc 20 mA at 30 Vdc
Typical Sound Pressure:	85±5 dB(A), at 5 Vdc, at 24 inches (61 cm), at 25°C 95±5 dB(A), at 30 Vdc, at 24 inches (61 cm), at 25°C
Termination:	Quick Connect Blades
Termination Strength:	Pull test with a maximum of 22 pounds (10 kg) load
Operating Temperature:	-20°C to +65°C
Storage Temperature:	-40°C to +85°C
Surge Voltage:	20% over maximum rated voltage for less than 5 minutes
Reverse Voltage Protection:	To the maximum operating voltage
Construction Materials:	Case- Plastic "NORYL® N-190", Flame Retardant UL 94-VO, Black Internal Circuit- Audio-oscillator and piezoelectric driver Potting- 2 parts epoxy resin or silicone, black Diaphragm- Stainless Steel 304
Gasket:	Gasket (Sold Separately)- 0.062" Thick, 60 Durometer Neoprene
Environmental Durability:	ASTM B117 Certified - Withstands exposure to salt spray for 300 hours IP 68 Certified - Withstands water submergence and dust exposure Humidity- 95% relative humidity at +40°C continuously for 100 hours. Vibration- Withstands vibration between 0 and 55 Hz. on all axes.
Life Expectancy:	10 years under normal operating conditions.
Warranty:	For a period of two years from the date of manufacture under normal operating conditions.

Dimensions



PANEL MOUNTING

