

TXB-86-530-S(S)



Made in
USA

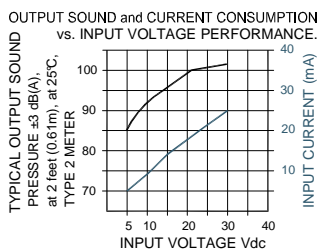


- Patent-Pending Revolutionary Turbo Design
- Tamper Resistant Front-Mounting Case with Threaded Attachment Ring
- Corrosion Resistant Stainless Steel Diaphragm
- Reliable Piezoelectric Technology

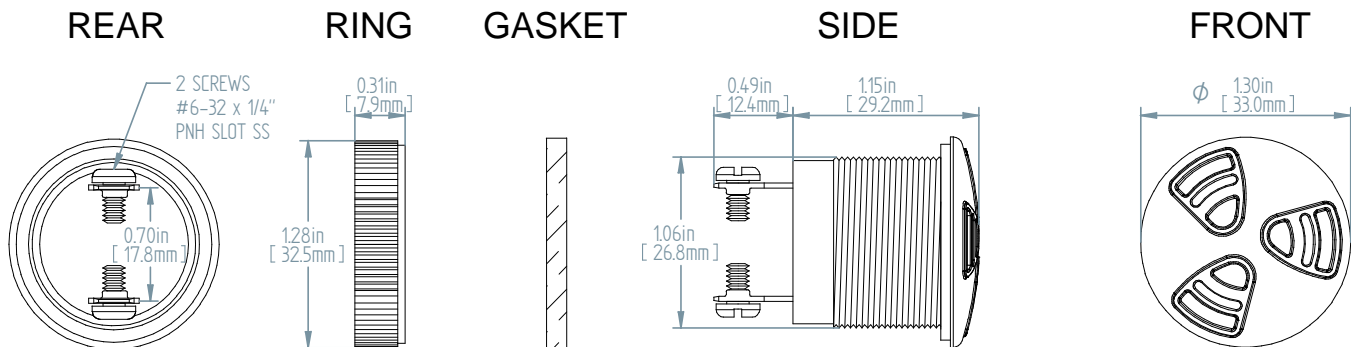
The Turbo TXB-86-530-S(S) is an extra loud output, panel mounted alarm for operating voltages of 5-30VDC. The Turbo design features a tamper resistant front-mounting case with threaded attachment ring.

SPECIFICATIONS

Operating Mode: Extra Loud Beep Tone
Operating Voltage: 5-30 Vdc
Nominal Operating Voltage: 24 Vdc
Operating Frequency: 2900±250 Hz.
 1±25% Beeps per second
Typical Operating Current: 5 mA at 5 Vdc
 25 mA at 30 Vdc
Typical Sound Pressure: 85±5 dB(A), at 5 Vdc, at 24 inches (61 cm), at 25°C
 103±5 dB(A), at 30 Vdc, at 24 inches (61 cm), at 25°C.
Termination: 0.25 (6.3) Wide Quick Connect Blades with 0.25 (6.3) Long 6x32 Stainless Steel Screws
Termination Strength: Pull test with a maximum of 22 pounds (10 kg) load
Operating Temperature: -20°C to +65°C.
Storage Temperature: -40°C to +85°C.
Surge Voltage: 20% over maximum rated voltage for less than 5 minutes.
Reverse Voltage Protection: To the maximum operating voltage.
Part Recognized By: Underwriters Laboratory
Construction Materials: Case- Plastic "NORYL® N-190", Flame Retardant UL 94-VO, Black Internal Circuit- Audio-oscillator and piezoelectric driver Potting- 2 parts epoxy resin or silicone, black Diaphragm- Stainless Steel 304 Gasket (Sold Separately)- 0.125" Thick, 60 Durometer Neoprene
Environmental Durability: ASTM B117 Certified- Withstands exposure to salt spray for 300 hours IP 68 Certified- Withstands water submergence and dust exposure Humidity- 95% relative humidity at +40°C continuously for 100 hours. Vibration- Withstands vibration between 0 and 55 Hz. on all axes.
Life Expectancy: 10 years under normal operating conditions.
Warranty: For a period of two years from the date of manufacture under normal operating conditions.



DIMENSIONS



TOLERANCES ARE ±0.03in [±0.76mm] UNLESS OTHERWISE SPECIFIED

Floyd Bell Inc
 An ISO 9001:2000 Registered Company

720 Dearborn Park Lane • Columbus, OH 43085
 Tel: 888-FLOYD-BELL • Fax: 614/291-0823
 www.floydbell.com

Revision: 5.09