

TECHNICAL SPECIFICATIONS

HOME » PRODUCTS & SERVICES » TECHNICAL SPECIFICATIONS: MC-09-530-SR

AudioLarm II

MC-09-530-SR

Specifications

Revision: 4.10

Medium Loud Continuous; Panel Mount Case and Quick Connect Blades with Screws Termination



More Information

Continuous

[UL Recognized](#)

RoHS Stocked

Mounting: Panel Mount
Operating Mode: Medium Loud Continuous
Operating Voltage: 5-30 Vdc
Operating Frequency: 2900±250 Hz
Typical Operating Current: 2 mA at 5 Vdc
 20 mA at 30 Vdc
Typical Sound Pressure: 85±5 dB(A), at 5 Vdc, at 24 inches (61 cm), at 25°C
 95±5 dB(A), at 30 Vdc, at 24 inches (61 cm), at 25°C
Termination: Quick Connect Blades with Screws
Termination Strength: Pull test with a maximum of 22 pounds (10 kg) load
Operating Temperature: -20°C to +65°C
Storage Temperature: -40°C to +85°C
Surge Voltage: 20% over maximum rated voltage for less than 5 minutes
Reverse Voltage Protection: To the maximum operating voltage

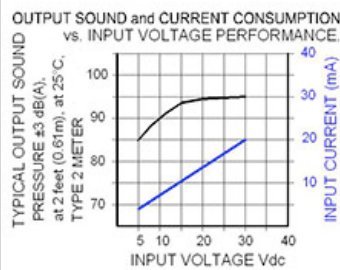
Construction Materials: Case- Plastic "NORYL® N-190", Flame Retardant UL 94-VO, Black
 Internal Circuit- Audio-oscillator and piezoelectric driver
 Potting- 2 parts epoxy resin or silicone, black
 Diaphragm- Stainless Steel 304

Gasket: Gasket (Sold Separately)– 0.062" Thick, 60 Durometer Neoprene

Environmental Durability: ASTM B117 Certified - Withstands exposure to salt spray for 300 hours
 IP 68 Certified - Withstands water submergence and dust exposure
 Humidity- 95% relative humidity at +40°C continuously for 100 hours.
 Vibration- Withstands vibration between 0 and 55 Hz. on all axes.

Life Expectancy: 10 years under normal operating conditions.

Warranty: For a period of two years from the date of manufacture under normal operating conditions.



Pricing

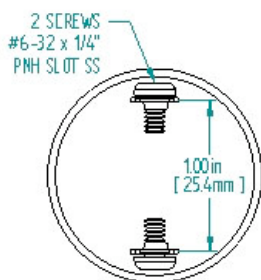
Quantity:	1-9	10 or more
Price:	\$15.74 ea.	Get a Quote

Place an Order

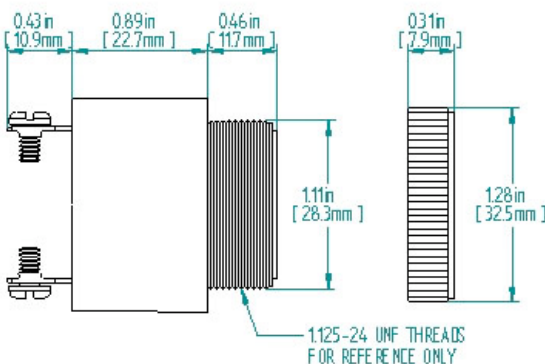
Quantity: [Add to Cart](#)

Dimensions

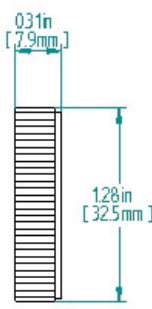
REAR



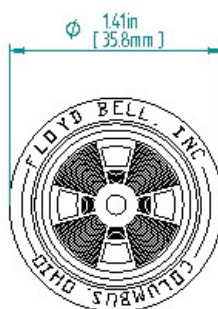
SIDE



RING



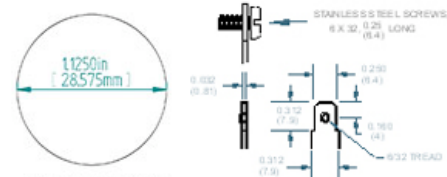
FRONT



TOLERANCES ARE: ±0.03 in.
 [±0.76 mm]

PANEL MOUNTING

"S" TERMINALS



FITS PANELS UP TO 0.25 in [6.35 mm] THICK