



Floyd Bell Inc
SOUND SOLUTIONS

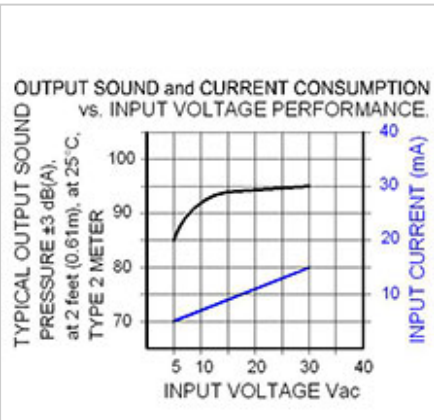
TECHNICAL SPECIFICATIONS

[Home](#) » [Products & Services](#) » [Technical Specifications: MB-09-531-S\(S\)](#)

AudioLarm II

MB-09-531-S(S)





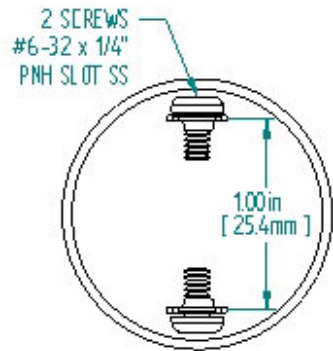
Specifications

Medium Loud Beep Tone; Slow Rate; Panel Mount Case and Quick Connect Blades with Screws Termination

Mounting:	Panel Mount
Operating Mode:	Medium Loud Slow Beep Tone
Operating Voltage:	5-24 Vac/dc
Operating Frequency:	2900 \pm 250 Hz
Typical Operating Current:	5 mA at 5 Vac/dc 15 mA at 24 Vac/dc
Typical Sound Pressure:	85 \pm 5 dB(A), at 5 Vac/dc, at 24 inches (61 cm), at 25°C 95 \pm 5 dB(A), at 24 Vac/dc, at 24 inches (61 cm), at 25°C
Termination:	Quick Connect Blades with Screws
Termination Strength:	Pull test with a maximum of 22 pounds (10 kg) load
Operating Temperature:	-20°C to +65°C
Storage Temperature:	-40°C to +85°C
Surge Voltage:	20% over maximum rated voltage for less than 5 minutes
Reverse Voltage Protection:	To the maximum operating voltage
Construction Materials:	Case- Plastic "NORYL® N-190", Flame Retardant UL 94-VO, Black Internal Circuit- Audio-oscillator and piezoelectric driver Potting- 2 parts epoxy resin or silicone, black Diaphragm- Stainless Steel 304
Gasket:	Gasket (Sold Separately)– 0.062" Thick, 60 Durometer Neoprene
Environmental Durability:	ASTM B117 Certified - Withstands exposure to salt spray for 300 hours IP 68 Certified - Withstands water submergence and dust exposure Humidity- 95% relative humidity at +40°C continuously for 100 hours. Vibration- Withstands vibration between 0 and 55 Hz. on all axes.
Life Expectancy:	10 years under normal operating conditions.
Warranty:	For a period of two years from the date of manufacture under normal operating conditions.

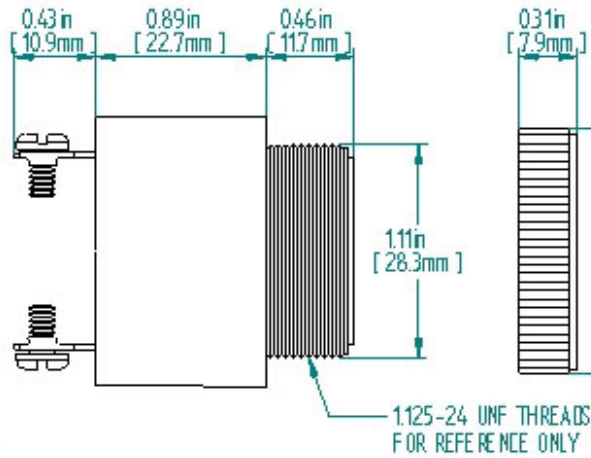
Dimensions

REAR

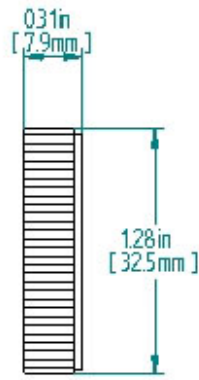


TOLERANCES ARE: ±0.03in.
[±0.76mm]

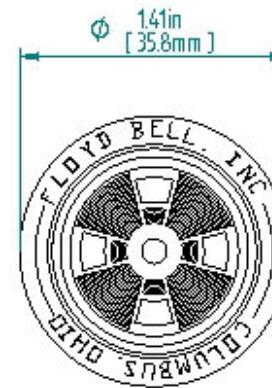
SIDE



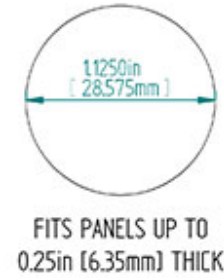
RING



FRONT



PANEL MOUNTING



"S" TERMINALS

