



Floyd Bell Inc
SOUND SOLUTIONS

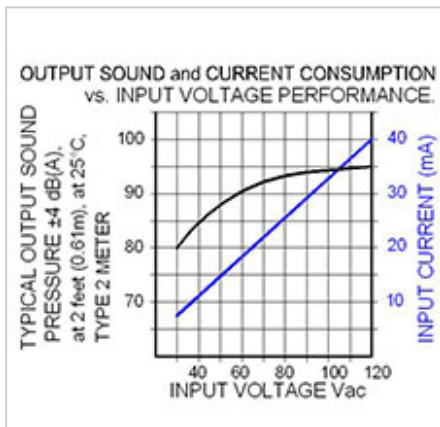
TECHNICAL SPECIFICATIONS

[Home](#) » [Products & Services](#) » [Technical Specifications: MC-09-201-S](#)

AudioLarm II

MC-09-201-S





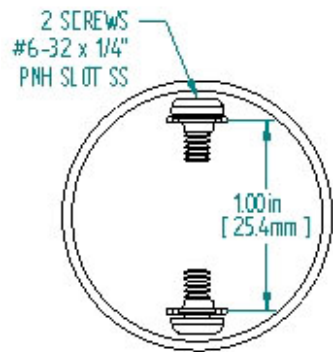
Specifications

Medium Loud Continuous; Panel Mount Case and Quick Connect Blades with Screws Termination

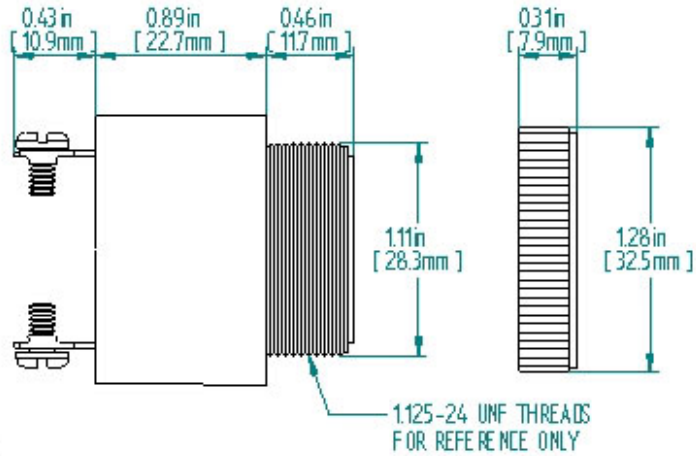
Mounting:	Panel Mount
Operating Mode:	Medium Loud Continuous
Operating Voltage:	30-120 Vac
Operating Frequency:	2900±250 Hz
Typical Operating Current:	7 mA at 30 Vac 40 mA at 120 Vac
Typical Sound Pressure:	80±5 dB(A), at 30 Vac, at 24 inches (61 cm), at 25°C 95±5 dB(A), at 120 Vac, at 24 inches (61 cm), at 25°C
Termination:	Quick Connect Blades with Screws
Termination Strength:	Pull test with a maximum of 22 pounds (10 kg) load
Operating Temperature:	-20°C to +65°C
Storage Temperature:	-40°C to +85°C
Surge Voltage:	20% over maximum rated voltage for less than 5 minutes
Reverse Voltage Protection:	To the maximum operating voltage
Construction Materials:	Case- Plastic "NORYL® N-190", Flame Retardant UL 94-VO, Black Internal Circuit- Audio-oscillator and piezoelectric driver Potting- 2 parts epoxy resin or silicone, black Diaphragm- Stainless Steel 304
Gasket:	Gasket (Sold Separately)– 0.062" Thick, 60 Durometer Neoprene
Environmental Durability:	ASTM B117 Certified - Withstands exposure to salt spray for 300 hours IP 68 Certified - Withstands water submergence and dust exposure Humidity- 95% relative humidity at +40°C continuously for 100 hours. Vibration- Withstands vibration between 0 and 55 Hz. on all axes. 10 years under normal operating conditions.
Life Expectancy:	10 years under normal operating conditions.
Warranty:	For a period of two years from the date of manufacture under normal operating conditions.

Dimensions

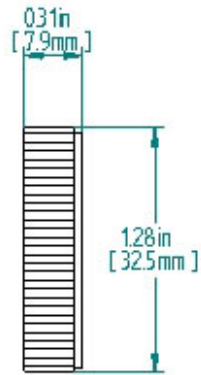
REAR



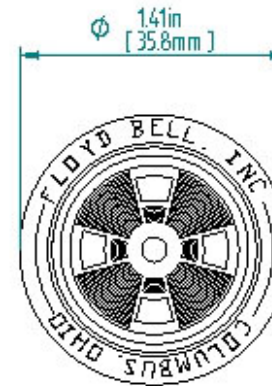
SIDE



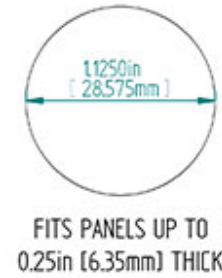
RING



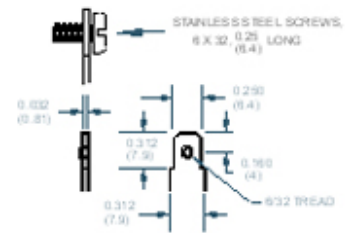
FRONT



PANEL MOUNTING



"S" TERMINALS



TOLERANCES ARE: ±0.03 in.
[±0.76 mm]