

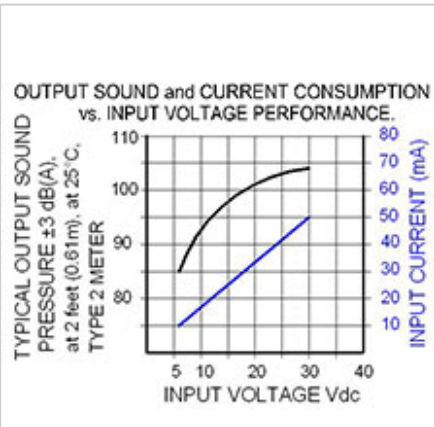
## TECHNICAL SPECIFICATIONS

[Home](#) » [Products & Services](#) » [Technical Specifications: XB-09-630-S\(S\)](#)

### AudioLarm II

XB-09-630-S(S)





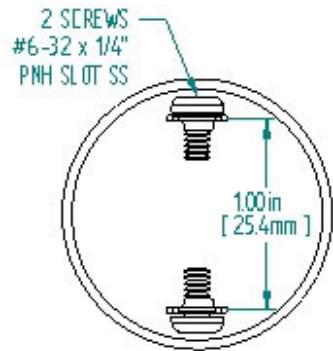
## Specifications

Extra Loud Beep Tone; Slow Rate; Panel Mount Case and Quick Connect Blades with Screws Termination

<b>Mounting:</b>	Panel Mount
<b>Operating Mode:</b>	Extra Loud Slow Beep Tone
<b>Operating Voltage:</b>	6-30 Vdc
<b>Operating Frequency:</b>	2900±250 Hz
<b>Typical Operating Current:</b>	10 mA at 6 Vdc 50 mA at 30 Vdc
<b>Typical Sound Pressure:</b>	85±5 dB(A), at 6 Vdc, at 24 inches (61 cm), at 25°C 103±5 dB(A), at 30 Vdc, at 24 inches (61 cm), at 25°C
<b>Termination:</b>	Quick Connect Blades with Screws
<b>Termination Strength:</b>	Pull test with a maximum of 22 pounds (10 kg) load
<b>Operating Temperature:</b>	-20°C to +65°C
<b>Storage Temperature:</b>	-40°C to +85°C
<b>Surge Voltage:</b>	20% over maximum rated voltage for less than 5 minutes
<b>Reverse Voltage Protection:</b>	To the maximum operating voltage
<b>Construction Materials:</b>	Case- Plastic "NORYL® N-190", Flame Retardant UL 94-VO, Black Internal Circuit- Audio-oscillator and piezoelectric driver Potting- 2 parts epoxy resin or silicone, black Diaphragm- Stainless Steel 304
<b>Gasket:</b>	Gasket (Sold Separately)– 0.062" Thick, 60 Durometer Neoprene
<b>Environmental Durability:</b>	ASTM B117 Certified - Withstands exposure to salt spray for 300 hours IP 68 Certified - Withstands water submergence and dust exposure Humidity- 95% relative humidity at +40°C continuously for 100 hours. Vibration- Withstands vibration between 0 and 55 Hz. on all axes.
<b>Life Expectancy:</b>	10 years under normal operating conditions.
<b>Warranty:</b>	For a period of two years from the date of manufacture under normal operating conditions.

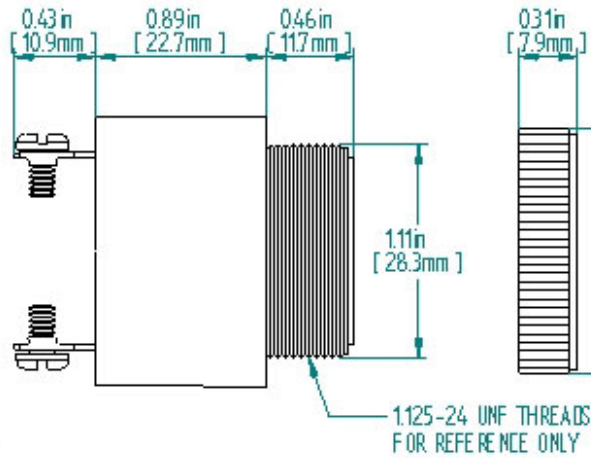
Dimensions

REAR

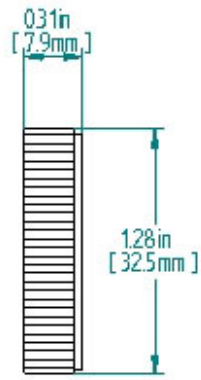


TOLERANCES ARE: ±0.03in.  
[±0.76mm]

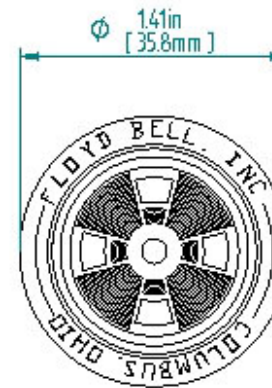
SIDE



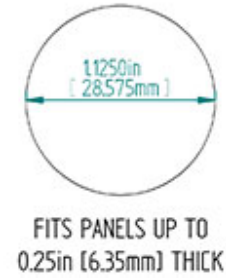
RING



FRONT



PANEL MOUNTING



"S" TERMINALS

