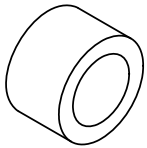


NOTES:

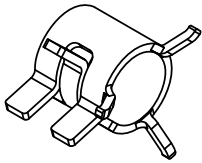
1. MOUNTING: Panel mounting hole .170" x .250" (4.34mm X 6.35mm)
Litepipe from .200" to .500" use grommet retainer RTN 150
Litepipe from .500" to 2.00" the spring clip RTN 250 is recommended for rigidity
2. Standoff used to adjust the height of a standard LED above the PCB to maintain a maximum .050" clearance between Litepipe and LED
3. U.S. & Foreign Pat. Issued & Pend.

REVISIONS				
ECN #	REV	DESCRIPTION	DATE	INITIALS
	N/A	INITIAL RELEASE	9/30/08	JG
	001	REVISED PER ECR111009AZ01	4/23/10	KH

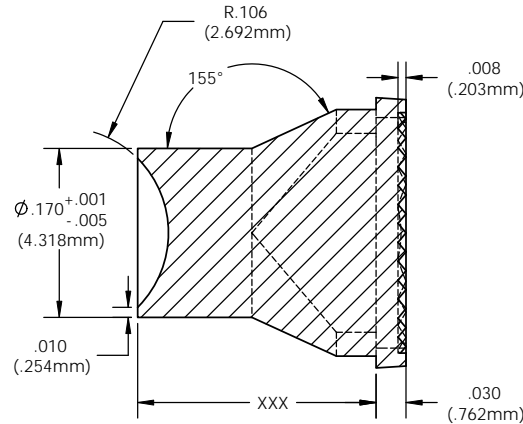
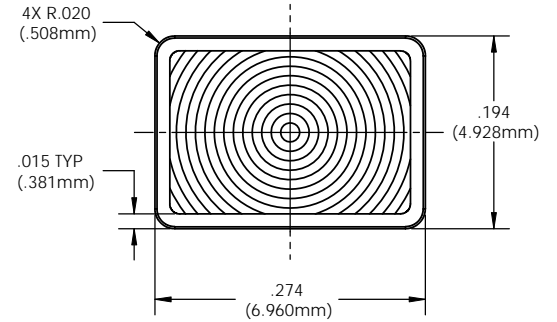
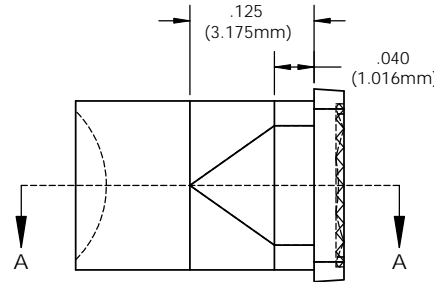
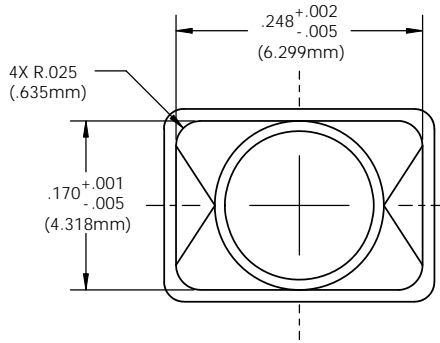
**RETAINERS
(ORDER SEPARATELY)**



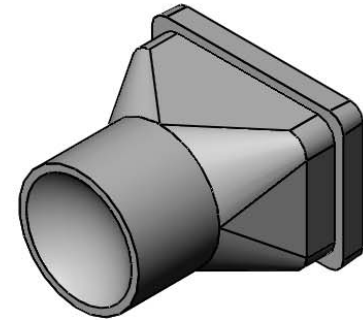
RTN 150



RTN 250



SECTION A-A



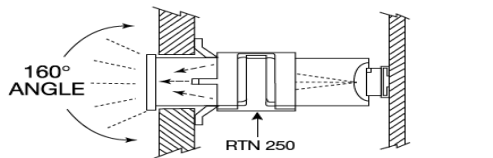
ORDERING CODE: LPR XXX CTP

LENGTH CODE
(Min 030=.300" / Max 200=2.000")

COLOR
CTP CLEAR

030	048	066	084	102	125	147	170	192
032	050	068	086	105	127	150	172	195
034	052	070	088	107	130	152	175	197
036	054	072	090	110	132	155	177	200
038	056	074	092	112	135	157	180	
040	058	076	094	115	137	160	182	
042	060	078	096	117	140	162	185	
044	062	080	098	120	142	165	187	
046	064	082	100	122	145	164	190	

SPECIAL LENGTHS UPON REQUEST



<small>UNLESS OTHERWISE SPECIFIED DIMENSIONS ARE IN INCHES</small> ANGLES DECIMALS ±1° FINISH .X ±.020 .XXX ±.010 .XXX ±.005 BREAK ALL CORNERS AND SHARP EDGES (8X MIN)	MATERIAL ACRYLIC (CLEAR OPTICAL GRADE) UL 94-HB	VISUAL COMMUNICATIONS COMPANY, INC. 190 Bossick Boulevard, Suite 101 San Marcos, CA 92069 USA Phone (760) 560-1300 Fax (760) 560-1301 email vccsales@vccite.com	
	FINISH SEE NOTES	TITLE: CLIPLITE 4MM RECTANGULAR LITEPIPE	
THIRD ANGLE PROJECTION <small>THE INFORMATION CONTAINED IN THIS DRAWING IS THE SOLE PROPERTY OF VISUAL COMMUNICATIONS COMPANY, INC. REPRODUCTION IN PART OR AS A WHOLE WITHOUT THE WRITTEN CONSENT OF VISUAL COMMUNICATIONS COMPANY, INC. IS PROHIBITED.</small>	APPROVAL DRAWN K.Howard CHECKED DPZ	DATE 4/23/10 5/4/10	
DO NOT SCALE DRAWING		SIZE DWG. NO. B LPR XXX CTP	REV 001
		SCALE: 8:1	SHEET 1 OF 1