

M12 Actuator/Sensor Distribution Boxes

ASB 4/LED - RS120M | ASB 8/LED - RS120M

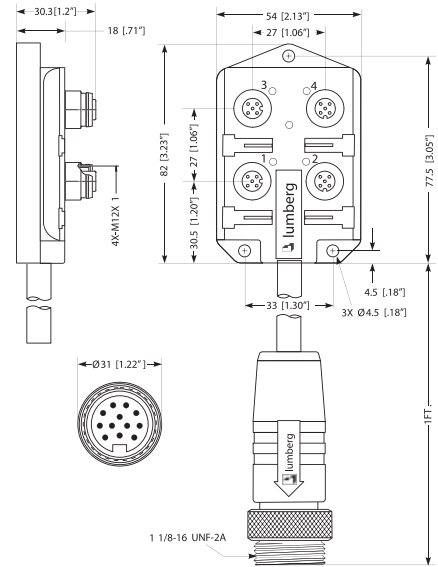


4- and 8-Ports (LED)

Actuator/sensor distribution box with LED operation and function indicators, top-entry, 4- and 8-ports, M12 sockets, 4-poles, 1 signal per socket, with integrated Mini quick disconnect home run control cable.

– control cable is suitable for c-track applications –

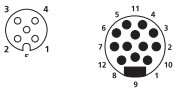
4-Ports



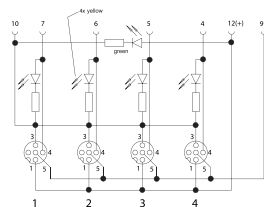
Pin Assignments

M12 / Mini 1 1/8"

Wiring Diagrams

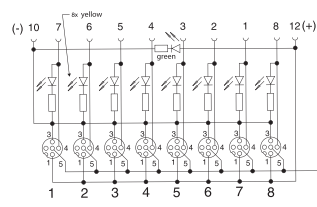


4-Ports



1 = 12 (+)
3 = 10 (-)
4 = 1 (7)
2 (6)
3 (5)
4 (4)
5 = 9 (gnd)

8-Ports



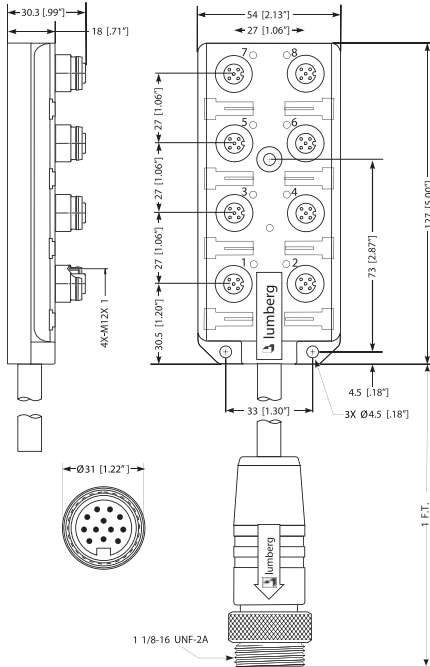
1 = 12 (+)
3 = 10 (-)
4 = 1 (7)
2 (6)
3 (5)
4 (4)
5 (3)
6 (2)
7 (1)
8 (8)
5 = 9 (gnd)



Be Certain with Belden

M12 Actuator/Sensor Distribution Boxes ASB 4/LED 5-4-328/RS120M | ASB/LED 8 5-4-331/RS120M

8-Ports



Technical Data

Environmental

Degree of protection IP 67 / NEMA 6P
Operating temperature range -15°C (+5°F) / +80°C (+176°F)

Mechanical

Housing PUR, yellow
Insert Nylon
Contact CuZn, gold plated
Receptacle shell CuZn, nickel-plated
O-ring FKM

Mini Quick Disconnect

Molded body PUR, yellow
Insert PUR, yellow
Contact CuZn, gold plated
Coupling nut Aluminum, black anodized

Electrical

Contact resistance ≤5mΩ
Voltage rating 10-30 V DC
Current rating 4 A per port / 12 A max. total
Insulation resistance > 10⁹ Ω

Accessories (included)

ZVK 2 dust covers for unused sockets
ZBS 10 attachable labels

Cable Specifications

Cable No.	Outer Jacket	Conductor Size	Color	Outside Diameter
328	PUR, halogen-free	3 x 0.75 mm ² 4 x 0.34 mm ²	Black	.268" (6.8 mm)
331	PUR, halogen-free	3 x 0.75 mm ² 8 x 0.34 mm ²	Black	.315" (8.0 mm)

Part Number	Ports	Cable Length	Characteristics
ASB 4/LED 5-4-328/RS120M	4	1F	
ASB 8/LED 5-4-331/RS120M	8	1F	