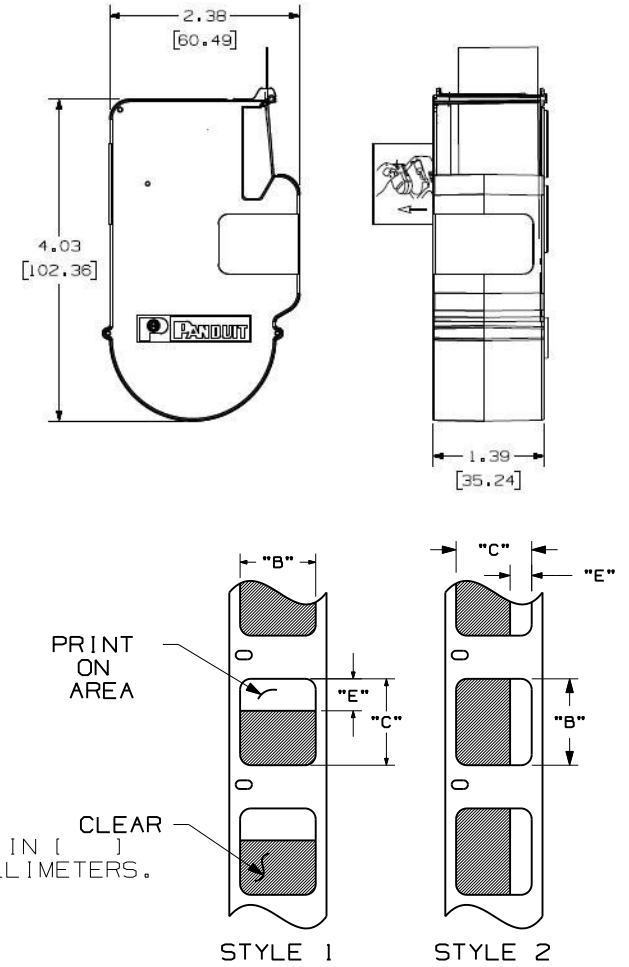


THIS COPY IS PROVIDED ON A RESTRICTED BASIS AND IS NOT TO BE USED IN ANY WAY DETRIMENTAL TO THE INTERESTS OF PANDUIT CORP.

PANDUIT PART NO.	PART DESCRIPTION	MATERIAL	STYLE	"B"	"C"	"E" +/- .050	COLOR (PRINT ON AREA)	LABELS/ ROLL
S025X075VAC	18-14 AWG WIRES	GMV16	2	0.75 [19.05]	0.25 [6.35]	0.25 [6.35]	WHITE	650
S050X075VAC	18-14 AWG WIRES	GMV16	2	0.75 [19.05]	0.50 [12.70]	0.25 [6.35]	WHITE	450
S050X125VAC	12-10 AWG WIRES	GMV16	1	0.50 [12.70]	1.25 [31.75]	0.38 [9.65]	WHITE	225
S050X150VAC	CAT. 5e/ CAT. 6 CABLE	GMV16	1	0.50 [12.70]	1.50 [38.10]	0.50 [12.70]	WHITE	200
S075X075VAC	18-14 AWG WIRES	GMV16	1	0.75 [19.05]	0.75 [19.05]	0.25 [6.35]	WHITE	350
S075X100VAC	12-10 AWG WIRES	GMV16	1	0.75 [19.05]	1.00 [25.40]	0.38 [9.65]	WHITE	275
S075X125VAC	12-10 AWG WIRES	GMV16	1	0.75 [19.05]	1.25 [31.75]	0.38 [9.65]	WHITE	225
S075X150VAC	CAT. 5e/ CAT. 6 CABLE	GMV16	1	0.75 [19.05]	1.50 [38.10]	0.50 [12.70]	WHITE	200
S100X075VAC	18-14 AWG WIRES	GMV16	1	1.00 [25.40]	0.75 [19.05]	0.25 [6.35]	WHITE	350
S100X125VAC	12-10 AWG WIRES	GMV16	1	1.00 [25.40]	1.25 [31.75]	0.38 [9.65]	WHITE	225
S100X150VAC	CAT. 5e/ CAT. 6 CABLE	GMV16	1	1.00 [25.40]	1.50 [38.10]	0.50 [12.70]	WHITE	200
S100X160VAC	NWSLC-2Y AND NWSLC-3Y	GMV16	1	1.00 [25.40]	1.60 [40.64]	0.80 [20.32]	WHITE	175
S100X220VAC	NWSLC-7Y	GMV16	1	1.00 [25.40]	2.20 [55.88]	1.10 [27.94]	WHITE	125
S100X150VBC	CAT. 5e/ CAT. 6 CABLE	GMV16	1	1.00 [25.40]	1.50 [38.10]	0.50 [12.70]	BLUE	200
S100X150VDC	CAT. 5e/ CAT. 6 CABLE	GMV16	1	1.00 [25.40]	1.50 [38.10]	0.50 [12.70]	GREEN	200
S100X150VHC	CAT. 5e/ CAT. 6 CABLE	GMV16	1	1.00 [25.40]	1.50 [38.10]	0.50 [12.70]	RED	200
S100X150VIC	CAT. 5e/ CAT. 6 CABLE	GMV16	1	1.00 [25.40]	1.50 [38.10]	0.50 [12.70]	YELLOW	200
S100X225VAC	8-4 AWG CABLE	GMV16	1	1.00 [25.40]	2.25 [57.15]	0.75 [19.05]	WHITE	125
S100X225VBC	8-4 AWG WIRES	GMV16	1	1.00 [25.40]	2.25 [57.15]	0.75 [19.05]	BLUE	125
S100X225VDC	8-4 AWG WIRES	GMV16	1	1.00 [25.40]	2.25 [57.15]	0.75 [19.05]	GREEN	125
S100X225VHC	8-4 AWG WIRES	GMV16	1	1.00 [25.40]	2.25 [57.15]	0.75 [19.05]	RED	125
S100X225VIC	8-4 AWG WIRES	GMV16	1	1.00 [25.40]	2.25 [57.15]	0.75 [19.05]	YELLOW	125
S100X400VAC	1-2 AWG WIRES	GMV16	1	1.00 [25.40]	4.00 [101.60]	1.00 [25.40]	WHITE	75
S100X650VAC	1/0-250 MCM WIRES	GMV16	1.00	1.00 [25.40]	6.50 [165.10]	1.50 [38.10]	WHITE	50.00



NOTES:
1. DIMENSIONS IN [] ARE IN MILLIMETERS.

CAD FILENAME/LAYERS		100743SR-DC-C10694/13C	
<h1>PANDUIT</h1> CORP. TINLEY PARK, ILLINOIS			
CUSTOMER DRAWING P1 LABEL CASSETTE SELF-LAMINATING LABEL			
UNLESS OTHERWISE SPECIFIED, DIMENSIONAL TOLERANCES ARE: (.X) ± .1 (.XX) ± .030		UNLESS OTHERWISE SPECIFIED, ALL DIMENSIONS ARE GIVEN IN INCHES, THIRD ANGLE PROJECTION.	
2	9/15/10	RVU	add a new label- S025X075VAC. 650 labels/cassette. "C", 0.25.
1	5/18/10	RVU	GMV16 WAS GMV15.
0	4/21/08	RVU	DRAWING RELEASE
REV	DATE	BY	CHK
DESCRIPTION		ECN	R CUST SUP
DRAWN BY		MAT'L:	
DATE		SEE TABLE	
CHK'D		SCALE	
		NTS	
		DRAWING NO.	
		C10694	
		DWG	
		A	
		SIZE	