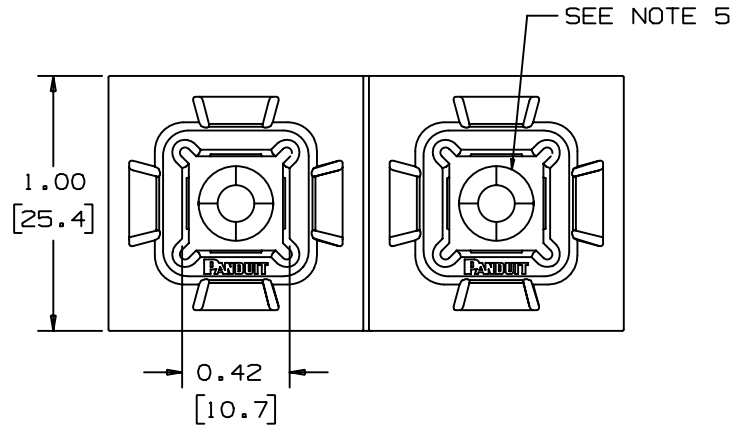
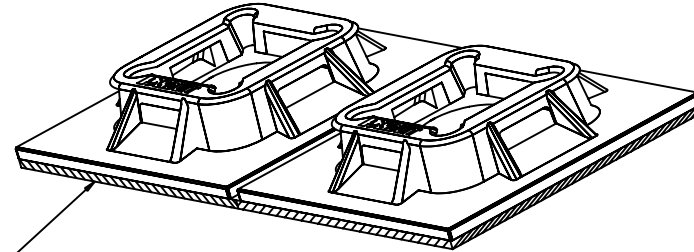


THIS COPY IS PROVIDED ON A RESTRICTED BASIS AND IS NOT TO BE USED IN ANY WAY DETRIMENTAL TO THE INTERESTS OF PANDUIT CORP.

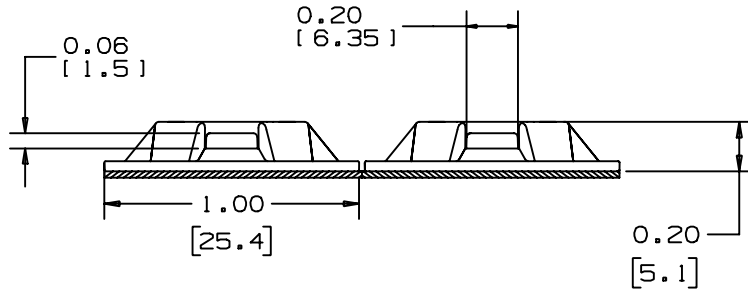


| PANDUIT PART NUMBER* | WEIGHT<br>lbs/100 pcs<br>(g)/100 pcs | USE WITH ANY OF THESE CABLE TIE CROSS-SECTIONS |
|----------------------|--------------------------------------|--|
| ABM100-AT            | 0.26<br>(119)                        | M, I, S  |



ADHESIVE BACKING: ACRYLIC BASED ADHESIVE PRESSURE SENSITIVE FOAM TAPE 0.04 (1.0) THICK WITH A PROTECTIVE LINER. MOUNT IS DESIGNED TO SUPPORT 0.50 lbs (227g) MAX. WEIGHT ON A CLEAN DRY SMOOTH SURFACE.

NO WARRANTY, EXPRESSED OR IMPLIED, IS MADE BY PANDUIT WITH RESPECT TO ADHESIVE BOND PERFORMANCE. AMONG OTHER THINGS, THE CONDITIONS UNDER WHICH THESE MOUNTS MAY BE APPLIED AND / OR THE SURFACE TO WHICH THEY MAY BE APPLIED ARE BEYOND PANDUIT'S CONTROL.



NOTES:

- SEE CURRENT PRICE SHEET FOR PART NUMBER SUFFIX DESIGNATION FOR PACKAGE SIZE AND COLOR.
- THE '-AT' SUFFIX REPRESENTS ACRYLIC ADHESIVE.
- MOUNT HAS A MAXIMUM CONTINUOUS OPERATING TEMPERATURE OF 180°F (82°C).
- SUPPLIED IN STRIPS OF TWO.
- HOLE FOR STANDARD S6 FLAT HEAD SCREW.

DIMENSIONS IN BRACKETS ARE METRIC [ mm ]

CAD FILENAME/LAYERS

G00033BB\_DC\_ABM100AT\_06

**PANDUIT**

CORP.

TINLEY PARK, ILLINOIS

ABM100-AT  
FOUR-WAY MOUNT

UNLESS OTHERWISE SPECIFIED,  
DIMENSIONAL TOLERANCES ARE:  
(.X) ±0.05 [1.3] (.XXX) ±0.010 [0.25]  
(.XX) ±0.02 [0.5] ANGLES ± 5°

UNLESS OTHERWISE SPECIFIED,  
ALL DIMENSIONS ARE GIVEN  
IN INCHES, THIRD ANGLE PROJECTION.

DRAWN BY MJK

MAT'L:

SCALE NONE

DATE 12/09/92

NYLON 6/6

DRAWING NO.

GB0033BB

DWG  
A  
SIZE

| REV | DATE    | BY   | CHK | DESCRIPTION   | ECN      | R | CUST | SUP |
|-----|---------|------|-----|---|----------|---|------|-----|
| 6   | 8-24-05 | TMSA |     | REMOVED PART NUMBER ABM25B<br>REVISED WINDOW DIMENSIONS | GB0033BB | 6 |      |     |