



MICROCHIP 24AA256/24LC256/24FC256

256K I²C™ CMOS Serial EEPROM

Device Selection Table

Part Number	Vcc Range	Max. Clock Frequency	Temp. Ranges
24AA256	1.7-5.5V	400 kHz ⁽¹⁾	I
24LC256	2.5-5.5V	400 kHz	I, E
24FC256	1.7-5.5V	1 MHz ⁽²⁾	I

Note 1: 100 kHz for Vcc < 2.5V.
2: 400 kHz for Vcc < 2.5V.

Features:

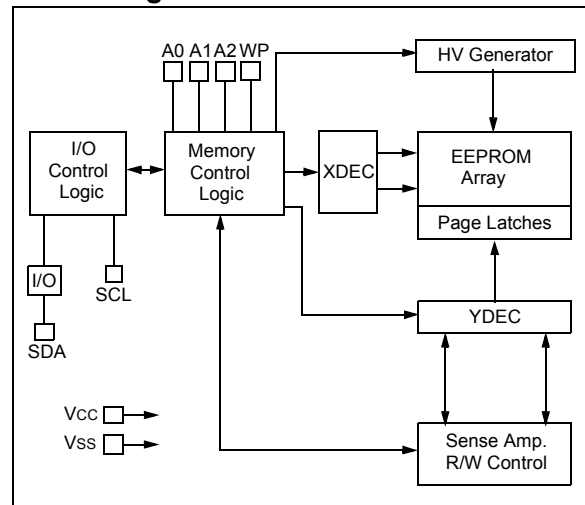
- Single Supply with Operation Down to 1.7V for 24AA256 and 24FC256 Devices, 2.5V for 24LC256 Devices
- Low-Power CMOS Technology:
 - Active current 400 uA, typical
 - Standby current 100 nA, typical
- 2-Wire Serial Interface, I²C™ Compatible
- Cascadable up to Eight Devices
- Schmitt Trigger Inputs for Noise Suppression
- Output Slope Control to Eliminate Ground Bounce
- 100 kHz and 400 kHz Clock Compatibility
- Page Write Time 5 ms max.
- Self-Timed Erase/Write Cycle
- 64-Byte Page Write Buffer
- Hardware Write-Protect
- ESD Protection >4000V
- More than 1 Million Erase/Write Cycles
- Data Retention >200 years
- Factory Programming Available
- Packages Include 8-lead PDIP, SOIC, DFN, TSSOP and MSOP
- Pb-Free and RoHS Compliant

- Temperature Ranges:
 - Industrial (I): -40°C to +85°C
 - Automotive (E): -40°C to +125°C

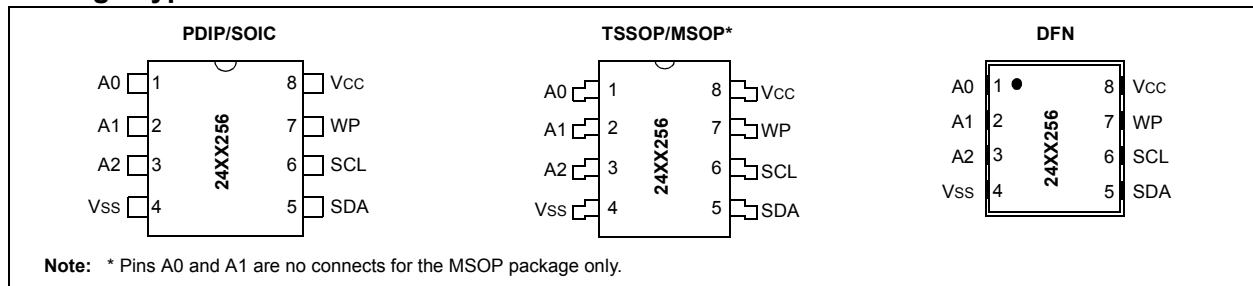
Description:

The Microchip Technology Inc. 24AA256/24LC256/24FC256 (24XX256*) is a 32K x 8 (256 Kbit) Serial Electrically Erasable PROM, capable of operation across a broad voltage range (1.7V to 5.5V). It has been developed for advanced, low-power applications such as personal communications or data acquisition. This device also has a page write capability of up to 64 bytes of data. This device is capable of both random and sequential reads up to the 256K boundary. Functional address lines allow up to eight devices on the same bus, for up to 2 Mbit address space. This device is available in the standard 8-pin plastic DIP, SOIC, TSSOP, MSOP and DFN packages.

Block Diagram



Package Types



*24XX256 is used in this document as a generic part number for the 24AA256/24LC256/24FC256 devices.

24AA256/24LC256/24FC256

1.0 ELECTRICAL CHARACTERISTICS

Absolute Maximum Ratings^(†)

V _{CC}	6.5V
All inputs and outputs w.r.t. V _{SS}	-0.6V to V _{CC} +1.0V
Storage temperature	-65°C to +150°C
Ambient temperature with power applied	-40°C to +125°C
ESD protection on all pins	≥ 4 kV

† NOTICE: Stresses above those listed under “Absolute Maximum Ratings” may cause permanent damage to the device. This is a stress rating only and functional operation of the device at these or any other conditions above those indicated in the operational listings of this specification is not implied. Exposure to Absolute Maximum Rating conditions for extended periods may affect device reliability.

TABLE 1-1: DC CHARACTERISTICS

DC CHARACTERISTICS			Electrical Characteristics:			
			Industrial (I): V _{CC} = +1.7V to 5.5V		T _A = -40°C to +85°C	
			Automotive (E): V _{CC} = +2.5V to 5.5V		T _A = -40°C to +125°C	
Param. No.	Sym.	Characteristic	Min.	Max.	Units	Conditions
D1	—	A0, A1, A2, SCL, SDA and WP pins:	—	—	—	—
D2	V _{IH}	High-level input voltage	0.7 V _{CC}	—	V	—
D3	V _{IL}	Low-level input voltage	—	0.3 V _{CC} 0.2 V _{CC}	V V	V _{CC} ≥ 2.5V V _{CC} < 2.5V
D4	V _{HYS}	Hysteresis of Schmitt Trigger inputs (SDA, SCL pins)	0.05 V _{CC}	—	V	V _{CC} ≥ 2.5V (Note)
D5	V _{OL}	Low-level output voltage	—	0.40	V	I _{OL} = 3.0 ma @ V _{CC} = 4.5V I _{OL} = 2.1 ma @ V _{CC} = 2.5V
D6	I _{LI}	Input leakage current	—	±1	μA	V _{IN} = V _{SS} or V _{CC} , WP = V _{SS} V _{IN} = V _{SS} or V _{CC} , WP = V _{CC}
D7	I _{LO}	Output leakage current	—	±1	μA	V _{OUT} = V _{SS} or V _{CC}
D8	C _{IN} , C _{OUT}	Pin capacitance (all inputs/outputs)	—	10	pF	V _{CC} = 5.0V (Note) T _A = 25°C, F _{CLK} = 1 MHz
D9	I _{CC} Read I _{CC} Write	Operating current	—	400	μA	V _{CC} = 5.5V, SCL = 400 kHz
			—	3	mA	V _{CC} = 5.5V
D10	I _{CCS}	Standby current	—	1	μA	T _A = -40°C to +85°C SCL = SDA = V _{CC} = 5.5V A0, A1, A2, WP = V _{SS}
			—	5	μA	T _A = -40°C to +125°C SCL = SDA = V _{CC} = 5.5V A0, A1, A2, WP = V _{SS}

Note: This parameter is periodically sampled and not 100% tested.

24AA256/24LC256/24FC256

TABLE 1-2: AC CHARACTERISTICS

AC CHARACTERISTICS			Electrical Characteristics:			
			Industrial (I):		V _{CC} = +1.7V to 5.5V	T _A = -40°C to +85°C
			Automotive (E):		V _{CC} = +2.5V to 5.5V	T _A = -40°C to +125°C
Param. No.	Sym.	Characteristic	Min.	Max.	Units	Conditions
1	FCLK	Clock frequency	—	100	kHz	1.7V ≤ V _{CC} < 2.5V
			—	400		2.5V ≤ V _{CC} ≤ 5.5V
			—	400		1.7V ≤ V _{CC} < 2.5V 24FC256
			—	1000		2.5V ≤ V _{CC} ≤ 5.5V 24FC256
2	THIGH	Clock high time	4000	—	ns	1.7V ≤ V _{CC} < 2.5V
			600	—		2.5V ≤ V _{CC} ≤ 5.5V
			600	—		1.7V ≤ V _{CC} < 2.5V 24FC256
			500	—		2.5V ≤ V _{CC} ≤ 5.5V 24FC256
3	TLOW	Clock low time	4700	—	ns	1.7V ≤ V _{CC} < 2.5V
			1300	—		2.5V ≤ V _{CC} ≤ 5.5V
			1300	—		1.7V ≤ V _{CC} < 2.5V 24FC256
			500	—		2.5V ≤ V _{CC} ≤ 5.5V 24FC256
4	TR	SDA and SCL rise time (Note 1)	—	1000	ns	1.7V ≤ V _{CC} < 2.5V
			—	300		2.5V ≤ V _{CC} ≤ 5.5V
			—	300		1.7V ≤ V _{CC} ≤ 5.5V 24FC256
5	TF	SDA and SCL fall time (Note 1)	—	300	ns	All except, 24FC256
			—	100		1.7V ≤ V _{CC} ≤ 5.5V 24FC256
6	THD:STA	Start condition hold time	4000	—	ns	1.7V ≤ V _{CC} < 2.5V
			600	—		2.5V ≤ V _{CC} ≤ 5.5V
			600	—		1.7V ≤ V _{CC} < 2.5V 24FC256
			250	—		2.5V ≤ V _{CC} ≤ 5.5V 24FC256
7	TSU:STA	Start condition setup time	4700	—	ns	1.7V ≤ V _{CC} < 2.5V
			600	—		2.5V ≤ V _{CC} ≤ 5.5V
			600	—		1.7V ≤ V _{CC} < 2.5V 24FC256
			250	—		2.5V ≤ V _{CC} ≤ 5.5V 24FC256
8	THD:DAT	Data input hold time	0	—	ns	(Note 2)
9	TSU:DAT	Data input setup time	250	—	ns	1.7V ≤ V _{CC} < 2.5V
			100	—		2.5V ≤ V _{CC} ≤ 5.5V
			100	—		1.7V ≤ V _{CC} ≤ 5.5V 24FC256
10	TSU:STO	Stop condition setup time	4000	—	ns	1.7V ≤ V _{CC} < 2.5V
			600	—		2.5V ≤ V _{CC} ≤ 5.5V
			600	—		1.7V ≤ V _{CC} < 2.5V 24FC256
			250	—		2.5V ≤ V _{CC} ≤ 5.5V 24FC256
11	TSU:WP	WP setup time	4000	—	ns	1.7V ≤ V _{CC} < 2.5V
			600	—		2.5V ≤ V _{CC} ≤ 5.5V
			600	—		1.7V ≤ V _{CC} ≤ 5.5V 24FC256
12	THD:WP	WP hold time	4700	—	ns	1.7V ≤ V _{CC} < 2.5V
			1300	—		2.5V ≤ V _{CC} ≤ 5.5V
			1300	—		1.7V ≤ V _{CC} ≤ 5.5V 24FC256

Note 1: Not 100% tested. CB = total capacitance of one bus line in pF.

- 2:** As a transmitter, the device must provide an internal minimum delay time to bridge the undefined region (minimum 300 ns) of the falling edge of SCL to avoid unintended generation of Start or Stop conditions.
- 3:** The combined T_{SP} and V_{HYS} specifications are due to new Schmitt Trigger inputs, which provide improved noise spike suppression. This eliminates the need for a T_I specification for standard operation.
- 4:** This parameter is not tested but ensured by characterization. For endurance estimates in a specific application, please consult the Total Endurance™ Model, which can be obtained from Microchip's web site

24AA256/24LC256/24FC256

AC CHARACTERISTICS (Continued)			Electrical Characteristics:			
			Industrial (I):		$V_{CC} = +1.7V$ to $5.5V$	$T_A = -40^{\circ}C$ to $+85^{\circ}C$
			Automotive (E):		$V_{CC} = +2.5V$ to $5.5V$	$T_A = -40^{\circ}C$ to $+125^{\circ}C$
Param. No.	Sym.	Characteristic	Min.	Max.	Units	Conditions
13	TAA	Output valid from clock (Note 2)	— — — —	3500 900 900 400	ns	$1.7V \leq V_{CC} < 2.5V$ $2.5V \leq V_{CC} \leq 5.5V$ $1.7V \leq V_{CC} < 2.5V$ 24FC256 $2.5V \leq V_{CC} \leq 5.5V$ 24FC256
14	TBUF	Bus free time: Time the bus must be free before a new transmission can start	4700 1300 1300 500	— — — —	ns	$1.7V \leq V_{CC} < 2.5V$ $2.5V \leq V_{CC} \leq 5.5V$ $1.7V \leq V_{CC} < 2.5V$ 24FC256 $2.5V \leq V_{CC} \leq 5.5V$ 24FC256
15	TOF	Output fall time from V_{IH} minimum to V_{IL} maximum $C_B \leq 100$ pF	$10 + 0.1C_B$	250 250	ns	All except, 24FC256 (Note 1)
16	TSP	Input filter spike suppression (SDA and SCL pins)	—	50	ns	All except, 24FC256 (Notes 1 and 3)
17	TWC	Write cycle time (byte or page)	—	5	ms	—
18	—	Endurance	1,000,000	—	cycles	$25^{\circ}C$ (Note 4)

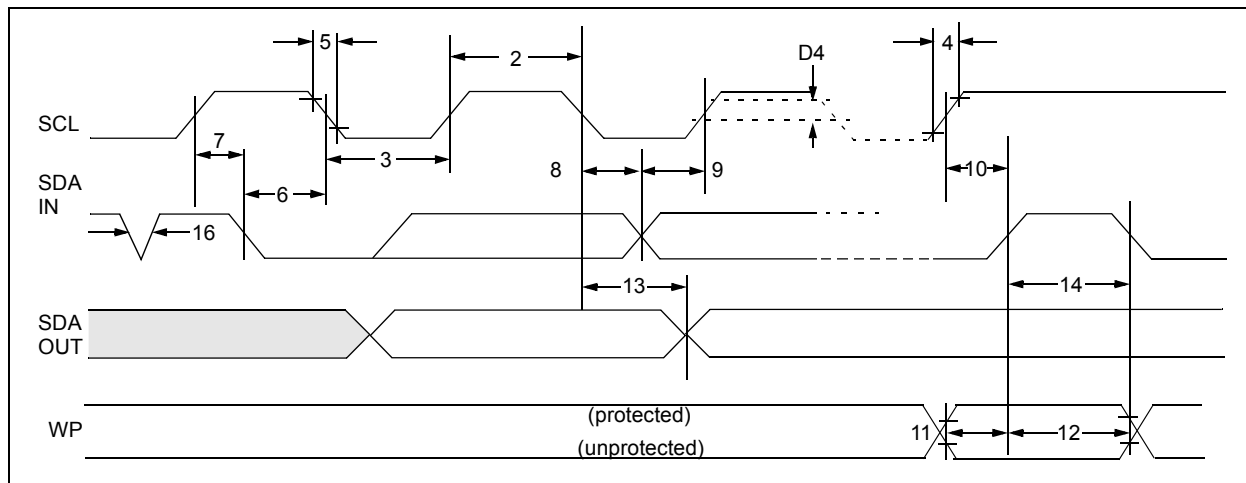
Note 1: Not 100% tested. C_B = total capacitance of one bus line in pF.

Note 2: As a transmitter, the device must provide an internal minimum delay time to bridge the undefined region (minimum 300 ns) of the falling edge of SCL to avoid unintended generation of Start or Stop conditions.

Note 3: The combined TSP and V_{HYS} specifications are due to new Schmitt Trigger inputs, which provide improved noise spike suppression. This eliminates the need for a T_i specification for standard operation.

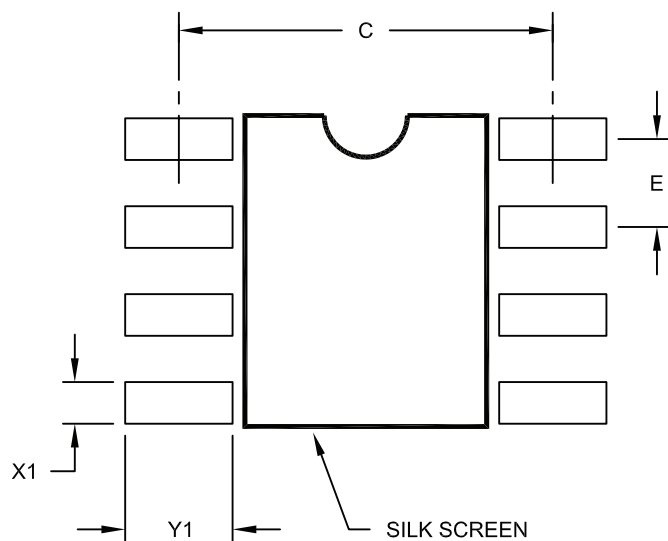
Note 4: This parameter is not tested but ensured by characterization. For endurance estimates in a specific application, please consult the Total Endurance™ Model, which can be obtained from Microchip's web site at www.microchip.com.

FIGURE 1-1: BUS TIMING DATA



24AA256/24LC256/24FC256

8-Lead Plastic Small Outline (SN) – Narrow, 3.90 mm Body [SOIC]



RECOMMENDED LAND PATTERN

Dimension Limits	Units	MILLIMETERS		
		MIN	NOM	MAX
Contact Pitch	E	1.27 BSC		
Contact Pad Spacing	C		5.40	
Contact Pad Width (X8)	X1			0.60
Contact Pad Length (X8)	Y1			1.55

Notes:

1. Dimensioning and tolerancing per ASME Y14.5M

BSC: Basic Dimension. Theoretically exact value shown without tolerances.

Microchip Technology Drawing No. C04-2057A

24AA256/24LC256/24FC256

PRODUCT IDENTIFICATION SYSTEM

To order or obtain information, e.g., on pricing or delivery, refer to the factory or the listed sales office.

<u>PART NO.</u>	<u>X</u>	<u>XX</u>	
Device	Temperature Range	Package	
Device:	24AA256:	256 Kbit 1.8V I ² C Serial EEPROM	
	24AA256T:	256 Kbit 1.8V I ² C Serial EEPROM Tape and Reel)	
	24LC256:	256 Kbit 2.5V I ² C Serial EEPROM	
	24LC256T:	256 Kbit 2.5V I ² C Serial EEPROM Tape and Reel)	
	24FC256:	256 Kbit High Speed I ² C Serial EEPROM	
	24FC256T:	256 Kbit High Speed I ² C Serial EEPROM Tape and Reel)	
Temperature Range:	I	= -40°C to +85°C	
	E	= -40°C to +125°C	
Package:	P	= Plastic DIP (300 mil body), 8-lead	
	SN	= Plastic SOIC (3.90 mm body), 8-lead	
	SM	= Plastic SOIJ (5.28 mm body), 8-lead	
	ST	= Plastic TSSOP (4.4 mm), 8-lead	
	MF	= Dual, Flat, No Lead (DFN)(6x5 mm body), 8-lead	
	MS	= Plastic Micro Small Outline (MSOP), 8-lead	
			Examples:
			a) 24AA256-I/P: Industrial Temp., 1.7V, PDIP package.
			b) 24AA256T-I/SN: Tape and Reel, Industrial Temp., 1.7V, SOIC package.
			c) 24AA256-I/ST: Industrial Temp., 1.7V, TSSOP package.
			d) 24AA256-I/MS: Industrial Temp., 1.7V, MSOP package.
			e) 24LC256-E/P: Extended Temp., 2.5V, PDIP package.
			f) 24LC256-I/SN: Industrial Temp., 2.5V, SOIC package.
			g) 24LC256T-I/SN: Tape and Reel, Industrial Temp., 2.5V, SOIC package.
			h) 24LC256-I/MS: Industrial Temp., 2.5V, MSOP package.
			i) 24FC256-I/P: Industrial Temp., 1.7V, High Speed, PDIP package.
			j) 24FC256-I/SN: Industrial Temp., 1.7V, High Speed, SOIC package.
			k) 24FC256T-I/SN: Tape and Reel, Industrial Temp., 1.7V, High Speed, SOIC package