

Model AK

Digital Pressure Test Gauge



DESCRIPTION

The hand-held Model AK is an in-progress gauge or portable calibrator and delivers long-lasting, enhanced accuracy performance. Accuracy of 0.05 % coupled with an enhanced resolution, 4½-digit display makes this unit an excellent transfer standard for calibrating pressure measuring equipment.

The AK is rugged and features high/low pressure capture with a field-adjustable update rate from three to 10 times per sec-

ond. These units are manufactured from stainless steel and use sensor technology which has no moving parts, requires little recalibration and has excellent overpressure tolerance. Optional NEMA 4 rating extends the operating temperature to -18 °C to 82 °C [0 °F to 180 °F]. Units of measure are field-selectable and the unit is offered with gage, absolute, vacuum, or compound reference.

* with optional NEMA 4 rating

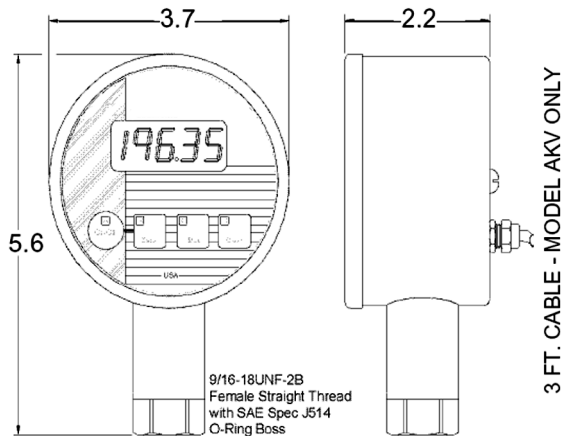
FEATURES

- High accuracy: 0.05 % full scale
- 0 °F to 180 °F operating temperature*
- Enhanced resolution
- Stainless steel construction
- Field-selectable units of measure
- 4½ digit display with 0.5 in height
- Customer recalibration
- On/Off switch
- CE compliant (certain models, consult factory)
- NEMA 4 rating (optional)
- Optional carrying case and panel mounting ring
- Optional pressure ports
- NIST traceable (optional)
- 9 V battery power
- High/low capture and store

Model AK

Digital Pressure Test Gauge

MOUNTING DIMENSIONS AND CHARACTERISTICS



Request certified drawing before designing mountings or fixtures. Specifications subject to change without notice.

For reference only

Notes

1. Ure faci bla feupit nostin vullam zzril
2. Ure faci bla feupit nostin vullam zzril dolesto consent nis del ipsusci-lis nismodiamcor sustinit am eugait velestinit ut nibh elisim eugait nim iril ut del duisi.
3. Ure faci bla feupit nostin vullam zzril dolesto consent nis del4. Ure faci bla feupit nostin vullam zzril dolesto consent nis del5. Ure faci bla feupit nostin vullam zzril dolesto consent nis del
6. Ure faci bla feupit nostin vullam zzril dolesto consent nis del ipsusci-lis nismodiamcor sustinit am eugait velestinit ut nibh elisim eugait nim iril ut del duisi.

Warranty. Honeywell warrants goods of its manufacture as being free of defective materials and faulty workmanship. Honeywell's standard product warranty applies unless agreed to otherwise by Honeywell in writing; please refer to your order acknowledgement or consult your local sales office for specific warranty details. If warranted goods are returned to Honeywell during the period of coverage, Honeywell will repair or replace, at its option, without charge those items it finds defective. **The foregoing is buyer's sole remedy and is in lieu of all warranties, expressed or implied, including those of merchantability and fitness for a particular purpose. In no event shall Honeywell be liable for consequential, special, or indirect damages.**

While we provide application assistance personally, through our literature and the Honeywell web site, it is up to the customer to determine the suitability of the product in the application.

Specifications may change without notice. The information we supply is believed to be accurate and reliable as of this printing. However, we assume no responsibility for its use.

For more information about Sensing and Control products, visit www.honeywell.com/sensing or call +1-815-235-6847

Email inquiries to info.sc@honeywell.com

⚠ WARNING **PERSONAL INJURY**

- DO NOT USE these products as safety or emergency stop devices or in any other application where failure of the product could result in personal injury.

Failure to comply with these instructions could result in death or serious injury.

⚠ WARNING **MISUSE OF DOCUMENTATION**

- The information presented in this catalogue is for reference only. DO NOT USE this document as product installation information.
- Complete installation, operation and maintenance information is provided in the instructions supplied with each product.

Failure to comply with these instructions could result in death or serious injury.

Sensing and Control
Automation and Control Solutions
Honeywell
1985 Douglas Drive North
Golden Valley, MN 55422 USA
+1-815-235-6847
www.honeywell.com/sensing

008689-1-EN IL50 GLO
May 2008
Copyright © 2008 Honeywell International Inc. All rights reserved.

Honeywell