



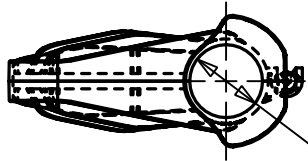
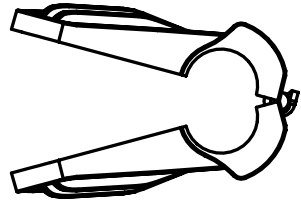
## PWT100



- Patented installation tool with 180° opening allows easy loading of maximum bundle diameters to speed installation, providing the lowest installed cost
- \*\* Order number of tools required.

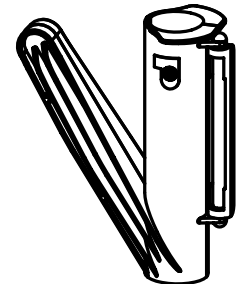
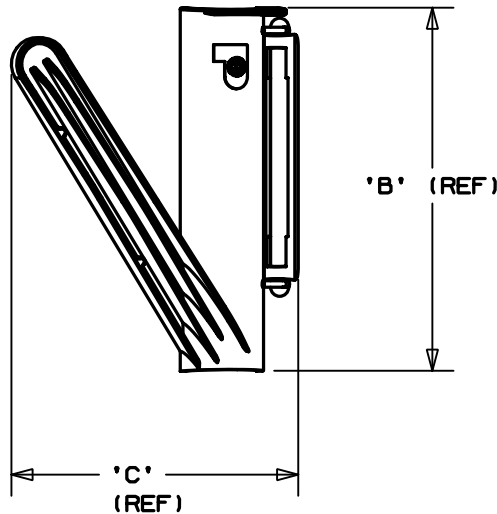
|                          |   |
|--------------------------|---|
| ▪ Part Number            | PWT100  |
| ▪ RoHS Compliancy Status | RoHS directive is not applicable  |
| ▪ Part Description       | 1" <i>Pan-Wrap™</i> Installation Tool. For use with PW100F <i>Pan-Wrap™</i> Split Harness Wrap. |
| ▪ Material               | Polyethylene  |
| ▪ Color                  | White   |
| ▪ For Use With           | PW100F-   |
| ▪ Pricing Description    | 1"(25.4mm) Panwrap tool   |
| ▪ Min. Order UOM         | PC  |
| ▪ Min. Order Qty.        | 1   |
| ▪ BOM Qty. (# of Pkgs.)  |   |

THIS COPY IS PROVIDED ON A RESTRICTED BASIS AND IS NOT TO BE USED IN ANY WAY DETRIMENTAL TO THE INTERESTS OF PANDUIT CORP.



'A'  $\varnothing$   
(MIN)

| PANDUIT PART NO. | DIMENSIONS       |                  |                  | MAXIMUM BUNDLE DIAMETER | USE WITH PANDUIT PART NO. | WEIGHT<br>lbs 10<br>(g) pcs. |
|------------------|------------------|------------------|------------------|-------------------------|---------------------------|------------------------------|
|                  | A                | B                | 'C'              |                         |                           |                              |
| PWT50            | 0.560<br>(14.22) | 4.33<br>(109.98) | 3.39<br>(86.0)   | 0.55<br>(13.97)         | PW50                      | 0.54<br>(244.94)             |
| PWT75            | 0.860<br>(21.84) |                  |                  | 0.81<br>(20.57)         | PW75                      | 0.82<br>(371.95)             |
| PWT100           | 1.12<br>(28.45)  | 4.65<br>(118.11) | 3.63<br>(92.2)   | 1.11<br>(28.19)         | PW100                     | 1.18<br>(535.24)             |
| PWT150           | 1.68<br>(42.67)  | 5.38<br>(136.65) | 4.53<br>(115.06) | 1.67<br>(42.42)         | PW150                     | 2.32<br>(1052.3)             |



NOTES:  
1. MATERIAL: ABS  
COLOR: WHITE

|   |   |
|---|---|
| DIMENSIONS IN BRACKETS ARE METRIC [ mm ]  |   |
| CAD FILENAME/LAYERS G02607DD_PB_PWT_01  |   |
| <b>PANDUIT</b> CORP. TINLEY PARK, ILLINOIS  |   |
| PAN-WRAP APPLICATION TOOL (PWT__)   |   |
| UNLESS OTHERWISE SPECIFIED, DIMENSIONAL TOLERANCES ARE:<br>(.X) $\pm 0.05$ (1.3) (.XXX) $\pm 0.010$ (0.25)<br>(.XX) $\pm 0.02$ (0.5) ANGLES $\pm 5^\circ$ | UNLESS OTHERWISE SPECIFIED, ALL DIMENSIONS ARE GIVEN IN INCHES, THIRD ANGLE PROJECTION. |
| DRAWN BY JAD  | MAT'L: NONE   |
| DATE 10/8/02  | SEE NOTE 1  |
| DRW'D   | GB2607DD  |
|   | A   |
|   | SIZE  |

| 1   | 8/17/04 | JAD |     | ADD PWT100, PWT150, AND 'C' DIM TO TABLE | GB2607DD | 1 |      |     |  |
|-----|---------|-----|-----|--|----------|---|------|-----|--|
| REV | DATE    | BY  | CHK | DESCRIPTION                              | ECN      | R | CUST | SUP |  |