

Current refinements (click  to remove)

[Search Tips](#) 
 Region  USA  Product Family  Ring Terminal, Vinyl Insulated – Funnel Entry  Text Search: 'PV14-10R-M'

**Your search criteria matched only one product, shown below.**


- Insulation support helps to prevent wire damage in bending applications
- Ring tongue design assures a secure connection in high vibration applications
- Brazed seam protects terminal barrel from splitting during the crimp process
- UL Flammability UL 94V-0, maximum insulation temperature 221°F (105°C)
- Internal barrel serrations assure good wire contact and maximum tensile strength
- UL and CSA rated up 600 V per UL 486

‡UL and CSA approved tooling/product combinations.

Note: Wire sizes #26 – #22 AWG, are not UL Listed or CSA Certified.

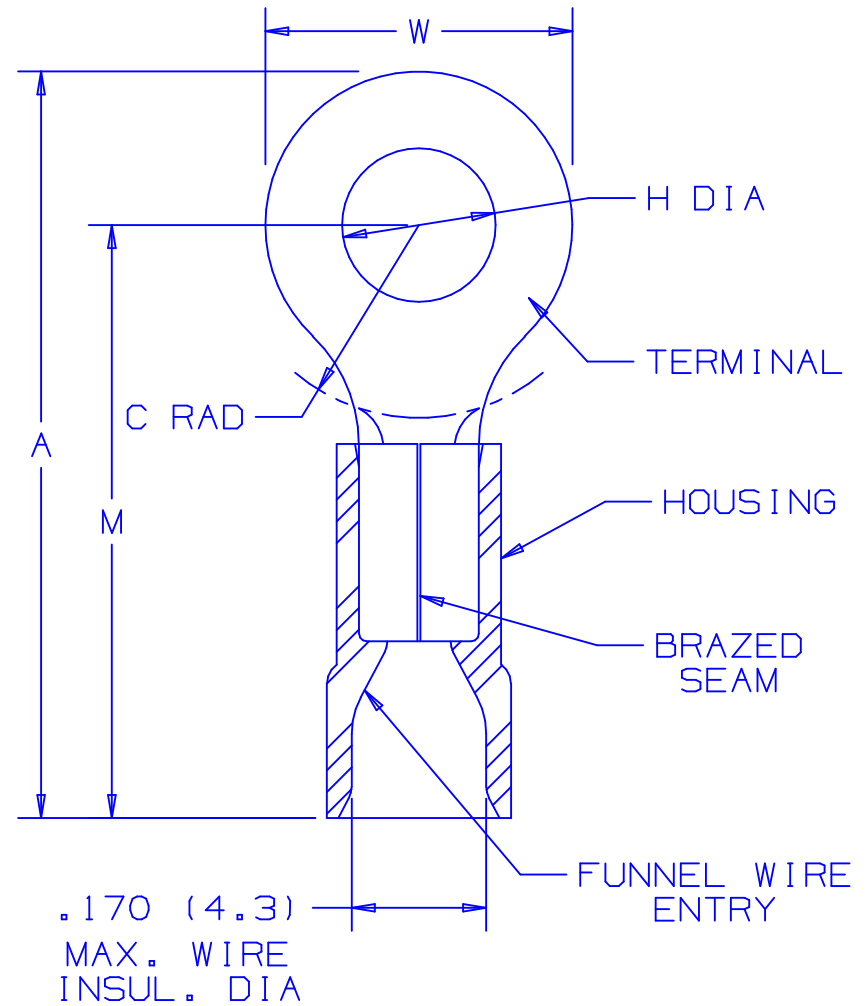
|                         |   |
|-------------------------|---|
| Part Number:            | PV14-10R-M  |
| RoHS Compliance Status: | Compliant   |
| Part Description:       | Ring Terminal, 16 – 14 AWG, #10 stud size, vinyl insulated, funnel entry. |
| Product Type:           | Terminals   |
| CSA Certified:          | Yes   |
| UL Listed:              | Yes   |
| Length (In.):           | .92   |
| Width (In.):            | .31   |
| Clearance:              | .25   |
| Max. Ins.:              | .17   |
| Panduit Color Code:     | Blue  |
| Stock:                  | .03   |
| Stud Size:              | #10   |
| Tool:                   | CT-100A‡, CT-600-A‡, CT-1550‡, CT-1551‡, CT-2500‡                         |
| Wire Range:             | 16 – 14 AWG   |
| Min. Order UOM:         | PC  |
| Min. Order Qty.:        | 1000  |

BOM Qty. (# of Pkgs.)

[Add to My Catalog](#)

 Please [register](#) to utilize the 'Bill of Materials', 'Submit Quotes' and 'My Catalog' features.

| PANDUIT PART NUMBER |          | STUD SIZE | DIMENSIONS in. |               |               |                |               |
|---------------------|----------|-----------|----------------|---------------|---------------|----------------|---------------|
|                     |          |           | A ±.03         | W ±.01        | C ±.02        | M ±.03         | H ±.01        |
| PV14-4R             | -C<br>-M | #4        | .84<br>(21.3)  | .25<br>(6.4)  | .19<br>(4.8)  | .71<br>(18.0)  | .12<br>(3.1)  |
| PV14-6RN            | -C<br>-M | #6        | .84<br>(21.3)  | .25<br>(6.4)  | .19<br>(4.8)  | .71<br>(18.0)  | .15<br>(3.8)  |
| PV14-6R             | -C<br>-M | #6        | .92<br>(23.4)  | .31<br>(7.9)  | .25<br>(6.4)  | .76<br>(19.3)  | .15<br>(3.8)  |
| PV14-8R             | -C<br>-M | #8        | .92<br>(23.4)  | .31<br>(7.9)  | .25<br>(6.4)  | .76<br>(19.3)  | .17<br>(4.3)  |
| PV14-10R            | -C<br>-M | #10       | .92<br>(23.4)  | .31<br>(7.9)  | .25<br>(6.4)  | .76<br>(19.3)  | .20<br>(5.1)  |
| PV14-14R            | -C<br>-M | 1/4"      | 1.12<br>(28.5) | .46<br>(11.7) | .38<br>(9.7)  | .89<br>(22.6)  | .27<br>(6.9)  |
| PV14-56R            | -C<br>-M | 5/16"     | 1.12<br>(28.5) | .46<br>(11.7) | .38<br>(9.7)  | .89<br>(22.6)  | .34<br>(8.6)  |
| PV14-38R            | -L<br>-M | 3/8"      | 1.21<br>(30.7) | .53<br>(13.5) | .43<br>(10.9) | .94<br>(23.9)  | .40<br>(10.2) |
| PV14-12R            | -L       | 1/2"      | 1.42<br>(36.1) | .72<br>(18.3) | .53<br>(13.5) | 1.06<br>(26.9) | .52<br>(13.2) |



NOTES:

- UL LISTED & CSA CERTIFIED FOR
  - 600 V. MAX. VOLTAGE RATING (1000 V. MAX. IN SIGNS, FIXTURES AND LUMINAIRES.)
  - 18-14 AWG SOLID OR STRANDED COPPER WIRE & 221°F (105°C) MAX TEMP RATING, WITH THE CT-500 & CT-550, CT-1551, CT-1550 INSTALLATION TOOLS.
  - 16-14 AWG SOLID OR STRANDED COPPER WIRE & 167°F (75°C) MAX TEMP RATING WITH THE CT-100 INSTALLATION TOOLS.

2. MATERIAL:

- STAMPING - .032 (.8) THK COPPER, TIN PLATED
- HOUSING - VINYL, BLUE

3. STRIP LENGTH 5/16 +1/32\_0

4. PACKAGE QTY.: -L=50  
STD PKG-C=100  
BULK PKG-M=1000

5. DIMENSIONS IN BRACKETS ARE IN MILLIMETERS



CERTIFIED  
LR31212



LISTED  
587H  
E52164

A41184\_05

| REV | DATE  | BY  | CHK | DESCRIPTION                                  | ECN # | CUST | PM  |
|-----|-------|-----|-----|--|-------|------|-----|
| 05  | 12/02 | SAC |     | FOR PV14-12R DIM A WAS 1.41 & DIM M WAS 1.05 |       |      |     |
| 04  | 5/02  | SRB | SKB | CHANGED (DIMS.) TO 1 PLACE DECIMAL           | 10231 | LA   | TRO |
| 03  | 4/02  | SRB | SKB | ADDED PV14-12R                               | 10171 | LA   | TRO |

**PANDUIT** CORP.

TINLEY PARK, ILLINOIS

2PC. VINYL INSULATED,  
#16-14 BARREL, RINGS

| DRAWN BY | CHK'D | SCALE | DRAWING NO. |
|----------|-------|-------|-------------|
| FES      |       | NONE  | A41184      |