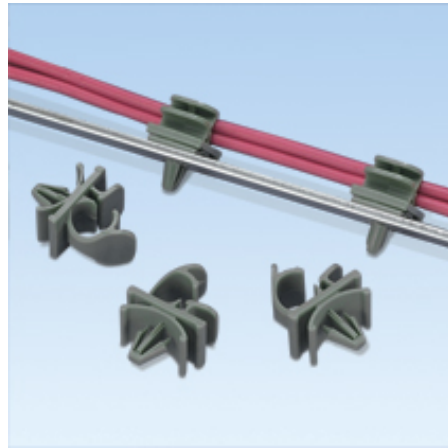




LWC38-H25-C

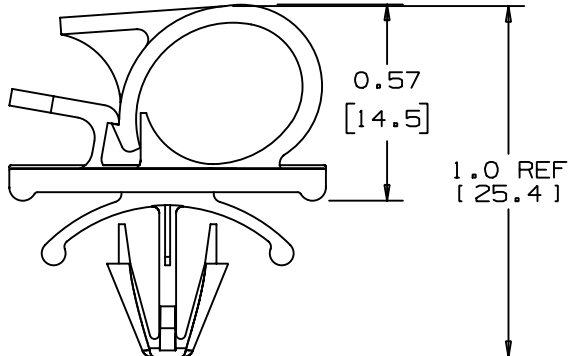
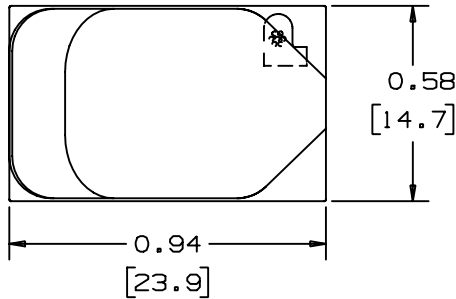


- Holds wires, cables and tubing
- Material: Nylon 6.6
- Maximum Panel Thickness: .105"
- Hole Diameter: .25"

Holds wires, cable and tubing and is available in 6 sizes with releasable latch. Adhesive backed and push mount styles available. Large mounting base for high bonding strength.

■ Part Number	LWC38-H25-C
■ RoHS Compliancy Status	Compliant
■ Part Description	Push Barb Mount Latching Wire Clip
■ Product Type	Mounting Device
■ Material	Nylon 6.6
■ Color	Natural
■ Height (In.)	.57
■ Height (mm)	14.5
■ Length (In.)	.94
■ Length (mm)	23.9
■ Width (In.)	.58
■ Width (mm)	14.7
■ Environment	Indoors
■ Flammability Rating	UL94 V-2
■ Max. Bundle Diameter (In.)	.38
■ Max. Bundle Diameter (mm)	9.5
■ Max. Panel Thickness (In.)	.105
■ Max. Panel Thickness (mm)	2.7
■ Mounting Method	Push Barb
■ Panel Hole Diameter (In.)	.220
■ Panel Hole Diameter (mm)	5.6
■ Pricing Description	Latching Wire Clip, Push Mount, .38" (9.7mm) Bundle, NAT
■ Min. Order UOM	PC
■ Min. Order Qty.	100
■ BOM Qty. (# of Pkgs.)	

THIS COPY IS PROVIDED ON A RESTRICTED BASIS AND IS NOT TO BE USED IN ANY WAY DETRIMENTAL TO THE INTERESTS OF PANDUIT CORP.



SCALE: FULL

PANDUIT PART NUMBER*	MAXIMUM CABLE DIA. in.(mm)	WEIGHT lbs.(g)/100pcs	HOLE SIZE DIA. RANGE	PANEL THK. RANGE
LWC38H25	0.38 (9.5)	0.49 (224)	3/16"-1/4" [5-6]	0.025-0.105 [0.5-3]

NOTES:
 * 1) SEE CURRENT PRICE SHEET FOR PART NUMBER SUFFIX DESIGNATION, FOR PACKAGE SIZE.

DIMENSIONS IN BRACKETS ARE METRIC [mm]

CAD FILENAME/LAYERS G00166BA_DC_04

PANDUIT CORP. TINLEY PARK, ILLINOIS

LWC38H25 LATCHING WIRE CLIP

REV	DATE	BY	CHK	DESCRIPTION	ECN	R	CUST	SUP
4	2-4-99	CGSM		CHANGED DIM. TO REF. DIM. UPDATED FILE NAME	GB0166BA	4		
3	12-11-97	JAD		.57 (14.5) DIMENSION WAS .78 (19.8)	GB0166BA	3		
2	2/17/97	CGSM		REVISED DIMENSIONS	GB0166BA	2		
1	10/20/95	CBJ		REVISED HOLE SIZE & PANEL THICKNESS RANGE	GB0166BA	1		
R	7-26-93	JRL		INITIAL RELEASE	GB0166BA	R		

UNLESS OTHERWISE SPECIFIED, DIMENSIONAL TOLERANCES ARE: (.X) ±0.05 (1.3) (.XXX) ±0.010 (0.25) (.XX) ±0.02 (0.5) ANGLES ± 5°		UNLESS OTHERWISE SPECIFIED, ALL DIMENSIONS ARE GIVEN IN INCHES, THIRD ANGLE PROJECTION.	
DRAWN BY JRL	MAT'L: NYLON 6/6	SCALE 2X	
DATE 7-26-93		DRAWING NO. GB0166BA	DWG SIZE A
CHK'D			