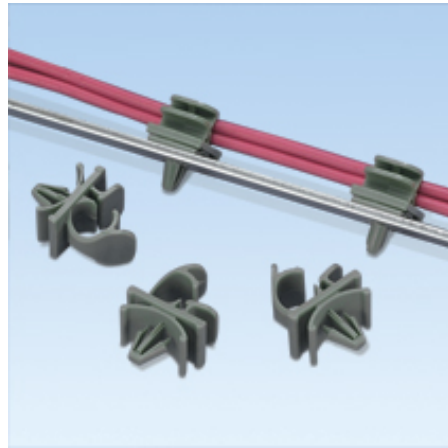




LWC25-H25-C



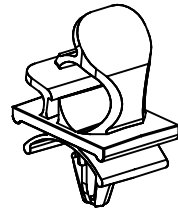
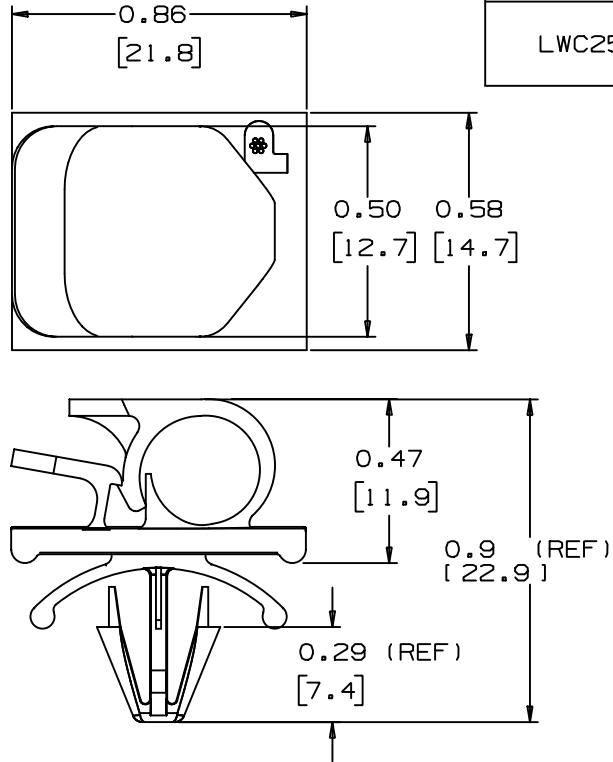
- Holds wires, cables and tubing
- Material: Nylon 6.6
- Maximum Panel Thickness: .105"
- Hole Diameter: .25"

Holds wires, cable and tubing and is available in 6 sizes with releasable latch. Adhesive backed and push mount styles available. Large mounting base for high bonding strength.

■ Part Number	LWC25-H25-C
■ RoHS Compliancy Status	Compliant
■ Part Description	Push Barb Mount Latching Wire Clip
■ Product Type	Mounting Device
■ Material	Nylon 6.6
■ Color	Natural
■ UL Recognized	E136577
■ Height (In.)	.47
■ Height (mm)	11.9
■ Length (In.)	.86
■ Length (mm)	21.8
■ Width (In.)	.58
■ Width (mm)	14.7
■ Environment	Indoors
■ Flammability Rating	UL94 V-2
■ Max. Bundle Diameter (In.)	.25
■ Max. Bundle Diameter (mm)	6.4
■ Max. Panel Thickness (In.)	.105
■ Max. Panel Thickness (mm)	2.7
■ Mounting Method	Push Barb
■ Panel Hole Diameter (In.)	.220
■ Panel Hole Diameter (mm)	5.6
■ Pricing Description	Latching Wire Clip, Push Mount, .25" (6.4mm) Bundle, NAT
■ Min. Order UOM	PC
■ Min. Order Qty.	100
■ BOM Qty. (# of Pkgs.)	

THIS COPY IS PROVIDED ON A RESTRICTED BASIS AND IS NOT TO BE USED IN ANY WAY DETRIMENTAL TO THE INTERESTS OF PANDUIT CORP.

PANDUIT PART NUMBER*	MAXIMUM CABLE DIA. in. (mm)	WEIGHT lbs. (g)/100pcs	HOLE SIZE DIA. RANGE	PANEL THK. RANGE
LWC25H25	0.25 [6.4]	0.41 [186]	3/16"-1/4" [5-6]	.025-.105 [0.5-3]



SCALE: FULL

NOTES:
* 1) SEE CURRENT PRICE SHEET FOR PART NUMBER SUFFIX DESIGNATION, FOR PACKAGE SIZE.

DIMENSIONS IN BRACKETS ARE METRIC [mm]

CAD FILENAME/LAYERS

G00165BA_DC_03

PANDUIT

CORP.

TINLEY PARK, ILLINOIS

LWC25H25, LATCHING WIRE CLIP

REV	DATE	BY	CHK	DESCRIPTION	ECN	R	CUST	SUP
3	2-4-99	CGSM		ADDED REF DIMENSIONS. UPDATED FILE NAME.	GB0165BA	3		
2	10/20/95	CBJ		REVISED HOLE SIZE & PANEL THICKNESS RANGE	GB0165BA	2		
1	2/21/95	KLN		CORRECTED WEIGHT, WAS 1.88g NOW 186g	GB0165BA	1		
R	7/26/93	KLN		INITIAL RELEASE	GB0165BA	R		

UNLESS OTHERWISE SPECIFIED,
DIMENSIONAL TOLERANCES ARE:
(.X) ±0.05 [1.3] (.XXX) ±0.010 [0.25]
(.XX) ±0.02 [0.5] ANGLES ±5°

UNLESS OTHERWISE SPECIFIED,
ALL DIMENSIONS ARE GIVEN
IN INCHES, THIRD ANGLE PROJECTION.

DRAWN BY
KLN

MAT'L:

SCALE

2X

DATE
7/26/93

NYLON 6/6

DRAWING NO.

GB0165BA

DWG
A
SIZE

CHK'D