



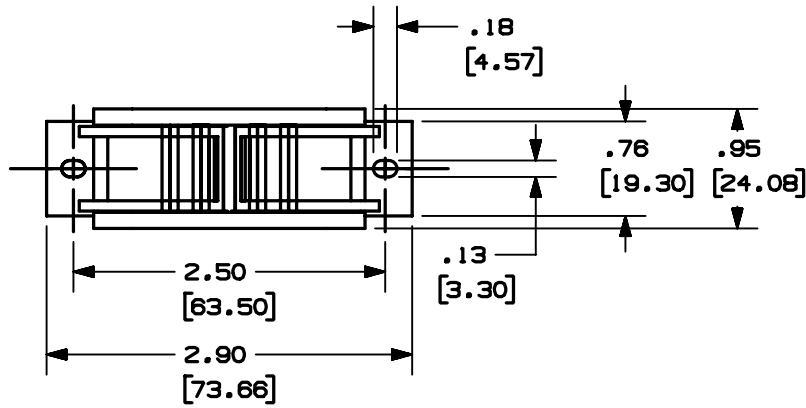
ER1.25-E4-X



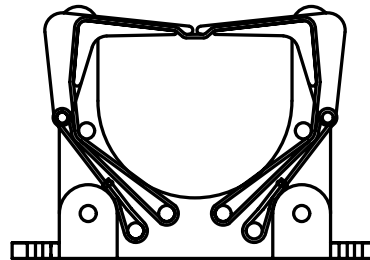
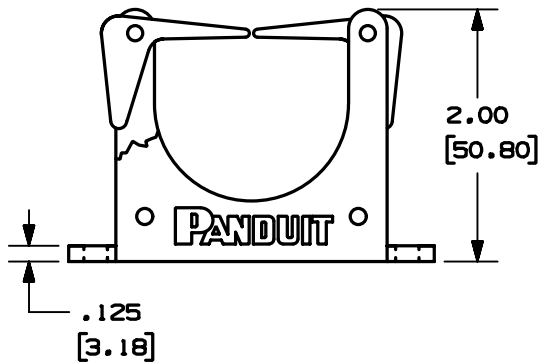
- ER Type retainers form wire bundles as wires are inserted. Completed bundles then snap out. Two sizes available for 1/2" (12.7mm) and 1 1/4" (31.7mm).

■ Part Number	ER1.25-E4-X
■ RoHS Compliancy Status	RoHS directive is not applicable
■ Part Description	Harness Board Elastic Bundle Retainer
■ Product Type	Harness Board Accessories
■ Material	Nylon 6.6
■ Color	Black
■ Height (In.)	2.00
■ Height (mm)	50.8
■ Length (In.)	2.90
■ Length (mm)	73.7
■ Width (In.)	.95
■ Width (mm)	24.1
■ Arm Material	ABS
■ Base Color	Black
■ Base Material	Nylon
■ Environment	Indoors
■ Max. Bundle Diameter (In.)	1.25
■ Max. Bundle Diameter (mm)	31.8
■ Mounting Method	Two #6 (M3) Screws
■ Pricing Description	Elastic Retainer, 1.25" (31.8mm) Bundle, #4 Screw
■ Screw Size	#4 (M2.5)
■ Screw Size Metric	M2.5
■ Min. Order UOM	PC
■ Min. Order Qty.	10
■ BOM Qty. (# of Pkgs.)	

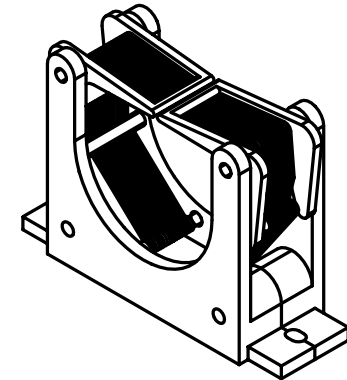
THIS COPY IS PROVIDED ON A RESTRICTED BASIS AND IS NOT TO BE USED IN ANY WAY DETRIMENTAL TO THE INTERESTS OF PANDUIT CORP.



PANDUIT * PART NO.	RECOMMENDED FASTENER	WEIGHT lbs / 100 (g) / pcs
ER1.25-E4-_-	#4 SCREW	5.3 (2404)



CUTAWAY FRONT VIEW
SHOWING ELASTIC BAND



NOTES:

- SEE CURRENT PRICE SHEET FOR PART NUMBER SUFFIX DESIGNATION FOR PACKAGE SIZE.
- ELASTIC RETAINER AUTOMATICALLY FORMS AROUND BUNDLES OF WIRE AS THEY ARE INSERTED.
- CAPACITY: THIS BUNDLE RETAINER WILL ACCEPT:
(A) A 1.25" DIAMETER OF INDIVIDUALLY PLACED WIRES
-or-
(B) AN APPROXIMATE 0.75" DIAMETER HARNESSSED BUNDLE OR OTHER SOLID OBJECTS.

DIMENSIONS IN BRACKETS ARE METRIC [mm]

CAD FILENAME/LAYER: G00239JU_PB_ER125E4_00

PANDUIT

CORP. TINLEY PARK, ILLINOIS

ELASTIC RETAINER
(ER1.25-E4-_-)

UNLESS OTHERWISE SPECIFIED,
DIMENSIONAL TOLERANCES ARE:
(.X) ±0.05 (1.3) (.XXX) ±0.010 (0.25)
(.XX) ±0.02 (0.5) ANGLES ± 5°

UNLESS OTHERWISE SPECIFIED,
ALL DIMENSIONS ARE GIVEN
IN INCHES, THIRD ANGLE PROJECTION.

REV	DATE	BY	CHK	DESCRIPTION	ECN	R	CUST	SUP
R	11/4/02	JAD		INITIAL RELEASE	G00239JU	R		

DRAWN BY	JAD	MAT'L:	PLASTIC FRAME, ELASTIC FABRIC BAND	SCALE	3/4
DATE	11/4/02	DRAWING NO.	G00239JU	DWG SIZE	A