

Current refinements (click  to remove)

[Search Tips](#)
 Region **USA**  Product Family **Ring Terminal, Non-Insulated**  Text Search: **'P14-10R-C'**
**Your search criteria matched only one product, shown below.**


- Ring tongue design assures a secure connection in high vibration applications
- Internal barrel serrations assure good wire contact and maximum tensile strength
- Brazed seam protects terminal barrel from splitting during the crimp process
- Barrel of terminal internally beveled to provide quick and easy wire insertion
- UL and CSA rated up to 2000 V per UL 486
- Maximum recommended operating temperature 302°F (150°C)

‡UL and CSA approved tooling/product combinations.

Note: Wire sizes #26 – #22 AWG, are not UL Listed or CSA Certified.

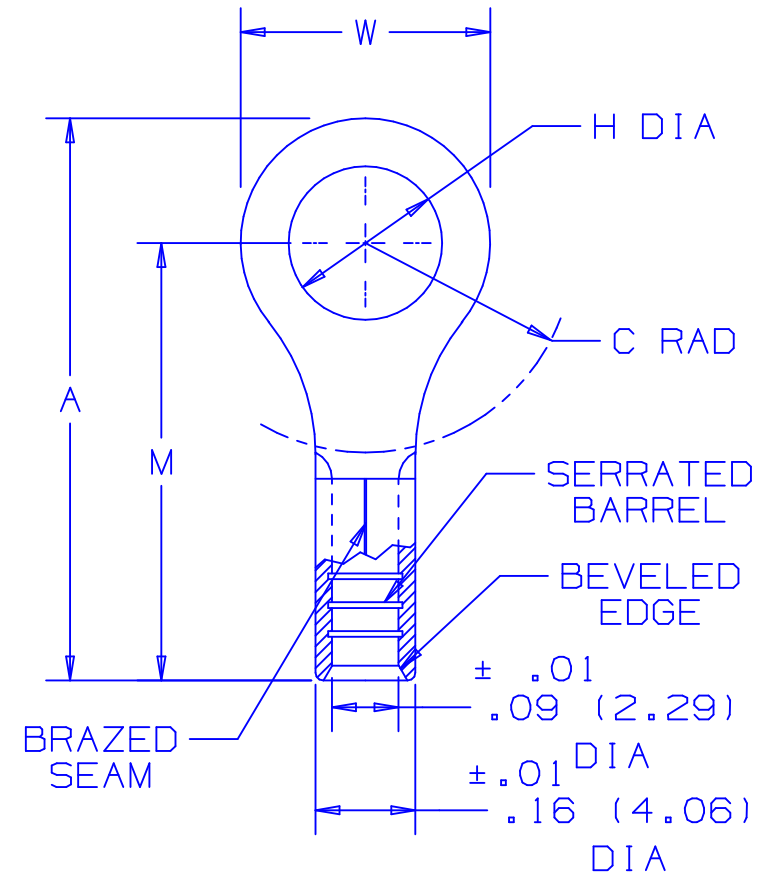
Part Number:	P14-10R-C
RoHS Compliance Status:	Compliant
Part Description:	Ring Terminal, 18 – 14 AWG, #10 stud size, non-insulated.
Product Type:	Terminals
CSA Certified:	Yes
UL Listed:	Yes
Length (In.):	.71
Width (In.):	.31
Angle:	straight
Clearance:	.25
Stock:	.03
Stud Size:	#10
Tool:	CT-100A‡, CT-200‡, CT-600-A‡, CT-1570‡, CT-2500‡
Wire Range:	18 – 14 AWG
Wire Range (mm <sup>2</sup> ):	1.0 - 2.5
Min. Order UOM:	PC
Min. Order Qty.:	100

BOM Qty. (# of Pkgs.)

[Add to My Catalog](#)

 Please [register](#) to utilize the 'Bill of Materials', 'Submit Quotes' and 'My Catalog' features.

PANDUIT PART NUMBER		STUD SIZE	DIMENSIONS in.				
			A $\pm .03$	W $\pm .01$	C <sup>MIN</sup>	M $\pm .03$	H $\pm .01$
P14-4R	-C -M	#4	.62 (15.8)	.25 (6.4)	.20 (5.1)	.50 (12.7)	.12 (3.1)
P14-6R	-C -M	#6	.62 (15.8)	.25 (6.4)	.20 (5.1)	.50 (12.7)	.15 (3.8)
P14-8R	-C -M	#8	.71 (18.0)	.31 (7.9)	.25 (6.4)	.55 (14.0)	.17 (4.3)
P14-10R	-C -M	#10	.71 (18.0)	.31 (7.9)	.25 (6.4)	.55 (14.0)	.20 (5.1)
P14-14R	-C -M	1/4"	.91 (23.1)	.46 (11.7)	.38 (9.7)	.68 (17.3)	.27 (6.9)
P14-56R	-C -M	5/16"	.91 (23.1)	.46 (11.7)	.38 (9.7)	.68 (17.3)	.34 (8.6)
P14-38R	-C -M	3/8"	1.00 (25.4)	.53 (13.5)	.43 (10.9)	.73 (18.5)	.40 (10.2)
P14-12R	-L	1/2"	1.20 (30.5)	.72 (18.3)	.53 (13.5)	.84 (21.3)	.52 (13.2)



NOTES:

- UL LISTED AND CSA CERTIFIED FOR:
  - 18-14 AWG SOLID OR STRANDED COPPER WIRE
- MAXIMUM RECOMMENDED OPERATING TEMP. NOT TO EXCEED 150° (302°F)
- MATERIAL:
  - STAMPING - .03" (.8) THK COPPER, TIN PLATED
- PACKAGE QTY:
 

STD. PKG.	-L=50
-C=100	
BULK PKG.	-M=1000
- DIMENSIONS IN BRACKETS ARE IN MILLIMETERS
- INSTALLATION TOOLS:
  - UL LISTED AND CSA CERTIFIED: CT-100, CT-200, CT-570, CT-1570
  - PANDUIT APPROVED: CT-160, CT-260
- WIRE STRIP LENGTH: 9/32 <sup>+1/32</sup><sub>0</sub> (7.1 <sup>+8</sup><sub>0</sub>)



LISTED  
587H  
E52164



CERTIFIED  
LR31212

A41264\_06

REV	DATE	BY	CHK	DESCRIPTION	ECN #	CUST	PM
06	12/03	KLFU		REMOVED NOTE 1B, ADDED NOTE 2			
05	5/02	SRB	SKB	CHANGED (DIMS) TO 1 PL DECIMAL	10231	LA	--
04	4/02	SRB	--	ADDED P14-12R	10171	--	TRO

**PANDUIT** CORP.

TINLEY PARK, ILLINOIS

#16-14 BARREL NON-INSULATED  
RING TONGUE

DRAWN BY	CHK'D	SCALE	DRAWING NO.
DAW	RLS	NONE	A41264