

## Easy-Mark™ Labeling Software

Manage critical infrastructure components with labels generated quickly and easily with Easy-Mark™ Labeling Software. Market specific labeling application tools that assist in creating identification solutions for data centers, network applications, panel shops, construction and maintenance applications. Easy-Mark™ saves time and money with features such as WYSIWYG user interface, data import, symbol import, and pre-loaded label formats. Easy-Mark™ To Go offers a USB flash drive format that provides application portability and reduces the time and cost of procuring, installing and maintaining labeling software programs.



### Key Features

### Benefits

<b>Market specific labeling application tools</b>	Reduces time (up to 75%) and errors by: simplifying label creation for network components, panel building, construction, and maintenance; selecting and formatting the optimum label for your specific application; automatically generating standards (OSHA, TIA, ANSI, etc.) compliant legends on your label
<b>Two-sided media printing support</b>	Saves time and reduces errors associated with creating 2-sided printed media
<b>Data center labeling wizard</b>	Guides the user through the TIA 942 standard in the process of creating labels used throughout a data center, providing faster and more reliable infrastructure identification
<b>Barcoding</b>	Easy-to-use wizard quickly generates barcodes in the following symbologies: Codabar, Code 128 (A, B, C, Auto), Code 39, Code 39 Extended, Code 93, Code 93 Extended, Data Matrix, EAN/JAN 13, EAN/JAN 8, Interleaved 2 of 5, MSI Plessey, PDF417, UCC128, UPC-A, UPC-E (System 0, System 1), BC-Postnet
<b>Portable version of Easy-Mark™</b>	All the features of Easy-Mark™ on a USB flash drive, eliminating the need to install a dedicated copy of labeling software on each labeling computer
<b>Multiple language options</b>	Instructions and user interface are available in English, Chinese, French, German, Italian, Korean, Portuguese, Spanish, and Japanese
<b>WYSIWYG (What You See Is What You Get)</b>	Program allows you to see labels on-screen as they will appear when printed, improving productivity and reducing errors
<b>Alpha and numeric serializations</b>	Reduces time required to create incremented legend lists
<b>Data file import</b>	Reduces time and errors by importing data previously created in EXCEL <sup>^</sup> (.XLS) files or comma separated value (.CSV) files onto labels
<b>Image library and symbol import</b>	Choose from over 100 standard symbols for electrical and data communications applications and import .jpg, .bmp, .gif, or .wmf symbols
<b>Pre-loaded Panduit label formats</b>	Labels for thermal transfer, dot matrix, laser, and ink jet, including Ultimate ID® Network Labeling System, can be created quickly and easily
<b>Quick text entry</b>	Enter text for individual labels or an entire range of labels to save time and reduce errors
<b>Upgradeable</b>	Future revisions and enhancements including additional market specific labeling application tools will be available on the Panduit website

### System Requirements

- 64 MB of hard drive space and 64 MB RAM (256 MB RAM recommended)
- Mouse or compatible pointing device
- WINDOWS<sup>^</sup> 2000, WINDOWS 7, XP, or Vista
- CD-ROM Drive or USB Port
- Microsoft.NET Framework 2.0 or higher

<sup>^</sup>WINDOWS 7, WINDOWS 2000, XP and Vista, and EXCEL are registered trademarks of Microsoft Corporation in the United States and/or other countries.

# Easy-Mark™ Labeling Software

## Ordering Information

Part Number	Description	Std. Pkg. Qty.	Std. Ctn. Qty.
PROG-EMCD3	Easy-Mark™ Labeling Software, CD-ROM.	1	10
PROG-EM2GO	Easy-Mark™ Portable Application, USB Flash Drive.	1	10

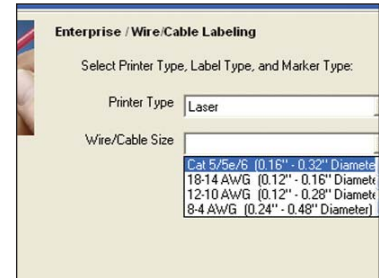
## Market Specific Labeling Application Tools



Select Specific Market



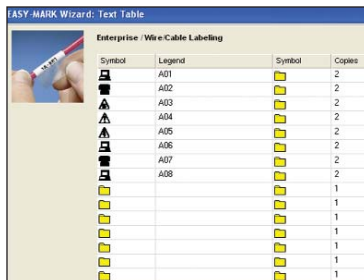
Select Labeling Application



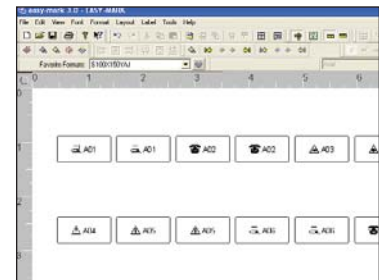
Select Details of Application



Select Method of Data Input



Enter Data



Easy-Mark™ Automatically Selects and Populates Labels

## Applications by Markets

### Data Center Applications:

- Data Center Project
- Room Grid Labeling
- Rack/Cabinet Location Labeling
- Panel Definition
- Port Labeling
- Patch Panel Connectivity
- Cable Labeling
- Active Equipment Identifiers
- Patch/Equipment Cords
- Grounding Labeling
- Power Labeling

### Network Applications:

- Cable Labeling
- Firestop Labeling
- Grounding Labeling
- Backbone Labeling
- Patch Panel Labeling
- Faceplate Labeling

### Panel Shop Applications:

- Wire/Cable Labeling
- Terminal Block Labeling
- Heat Shrink
- Safety Signs
- Pipemarking

### Construction and Maintenance Applications:

- Wire/Cable Labeling
- Heat Shrink
- Pipemarking
- Safety Signs

### WORLDWIDE SUBSIDIARIES AND SALES OFFICES

PANDUIT CANADA  
Markham, Ontario  
cs-cdn@panduit.com  
Phone: 800.777.3300

PANDUIT EUROPE LTD.  
London, UK  
cs-emea@panduit.com  
Phone: 44.20.8601.7200

PANDUIT SINGAPORE PTE. LTD.  
Republic of Singapore  
cs-ap@panduit.com  
Phone: 65.6305.7575

PANDUIT JAPAN  
Tokyo, Japan  
cs-japan@panduit.com  
Phone: 81.3.6863.6000

PANDUIT LATIN AMERICA  
Guadalajara, Mexico  
cs-la@panduit.com  
Phone: 52.33.3777.6000

PANDUIT AUSTRALIA PTY. LTD.  
Victoria, Australia  
cs-aus@panduit.com  
Phone: 61.3.9794.9020

For a copy of Panduit product warranties, log on to [www.panduit.com/warranty](http://www.panduit.com/warranty)

For more information

Visit us at [www.panduit.com](http://www.panduit.com)

Contact Customer Service by email: [cs@panduit.com](mailto:cs@panduit.com)  
or by phone: 800.777.3300 and reference IDC35

**PANDUIT**®

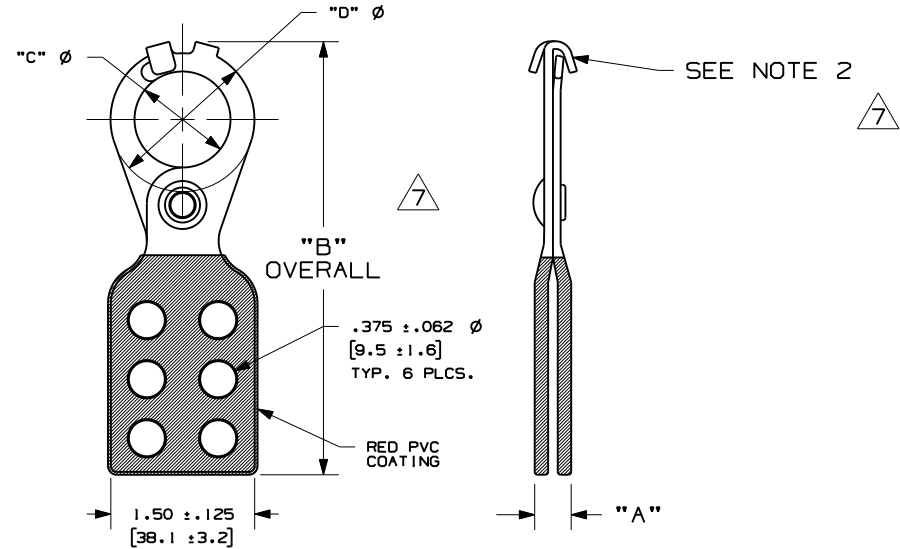
©2012 Panduit Corp.  
ALL RIGHTS RESERVED.  
Product Bulletin Number **WW-IDCB35**  
7/2012

TABLE 1			
PART NUMBER	DESCRIPTION	MAX. NO. LOCKS.	STANDARD PKG.
PSL - 1	HASP WITH 1.0" (25 mm) DIA. JAW AND OVERLAPPING TABS	6	12
PSL - 1.5	HASP WITH 1.5" (38 mm) DIA. JAW AND OVERLAPPING TABS	6	12
PSL - 1A	HASP WITH 1.0" (25 mm) DIA. JAW	6	12
PSL - 1.5A	HASP WITH 1.5" (38 mm) DIA. JAW	6	12



TABLE 2				
P/N	"A"	"B" OVERALL	"C"	"D" DIA.
PSL - 1	.375 +/- .063 (9.5 +/- 1.6)	4.50 +/- .12 (114.3 +/- 3.1)	1.00 +/- .04 (25.4 +/- 1.0)	1.50 +/- .04 (38.1 +/- 1.0)
PSL - 1.5		5.05 +/- .12 (128.3 +/- 3.1)	1.50 +/- .04 (38.1 +/- 1.0)	2.12 +/- .04 (53.8 +/- 1.0)
PSL - 1A		4.40 +/- .12 (111.8 +/- 3.1)	1.00 +/- .04 (25.4 +/- 1.0)	1.50 +/- .04 (38.1 +/- 1.0)
PSL - 1.5A		4.95 +/- .12 (125.7 +/- 3.1)	1.50 +/- .04 (38.1 +/- 1.0)	2.12 +/- .04 (53.8 +/- 1.0)

- NOTES:
1. DIMENSIONS SHOWN IN BRACKETS ARE IN MILLIMETERS.
  2. PSL-1A AND PSL1.5A DO NOT HAVE TABS
  3. OPERATING TEMPERATURE: -40°C (-40°F) TO 60°C (140°F)



CAD FILENAME/LAYERS 100318MU\_DC\_C10099/01H

7	7/7/11	JHAC	<i>Attc</i>	ADDED OPERATING TEMPERATURE AND MORE DETAIL TO TITLE CHANGED MATERIAL DESCRIPTION, REMOVED ADDITIONAL DIMENSIONAL INFORMATION AND REMOVED VIEW 1 AND VIEW 2	6451	R			
6	7/21/09	RVU		.375 +/- .062 Ø WAS .375 +/- .125 Ø. C1018 WAS C108. .083/.079 WAS .080/.079. ADD "TABLE 1 & TABLE 2" ONLY. TOL: +/- .04 (1 +/- 1.0) WAS +/- .12 (1 +/- 3.1) FOR ALL OF COLUMN "F".	5797	R			
5	7/15/09	RVU		VOID					
4	10/20/08	RVU	LDG	CHANGE FORMAT 'B' TO 'A'. ADDED NEW COLUMNS OF "G" DIA., "H" R., VIEW 2 AND REVISED NOTES 2.	5571	R			
3	7-27-06	RVU	DWY	ADD TABLE "E" AND "F".	4583	R			
2	3-29-05	RVU	DWY	ADDED SIDE VIEW, VIEW 1, AND DIMENSIONS "A", "B", "C" AND "D".	3840	R			
1	3-25-03	RVU	DWY	DIMENSION 1.50 ± .125, 5.00 ± .125, & TOLERANCE ADDED. MISC. REVISIONS.	3207	R			
R	9-23-99	RVU	DWY	DRAWING RELEASE	1438	R			
REV	DATE	BY	CHK	DESCRIPTION	ECN	R	CUST	SUP	

PANDUIT CORP. TINLEY PARK, ILLINOIS

SAFETY LOCKOUT HASP - PSL-1(A) AND PSL1.5(A)

UNLESS OTHERWISE SPECIFIED, DIMENSIONAL TOLERANCES ARE:  
 (.X) ± (.XXX) ±  
 (.XX) ± ANGLES ±

UNLESS OTHERWISE SPECIFIED, ALL DIMENSIONS ARE GIVEN IN INCHES, THIRD ANGLE PROJECTION.

DRAWN BY RVU MAT'L: ZINC PLATED STEEL WITH RED PVC COATING

DATE 9-23-99

SCALE NTS

DRAWING NO. C10099

DWG SIZE A