



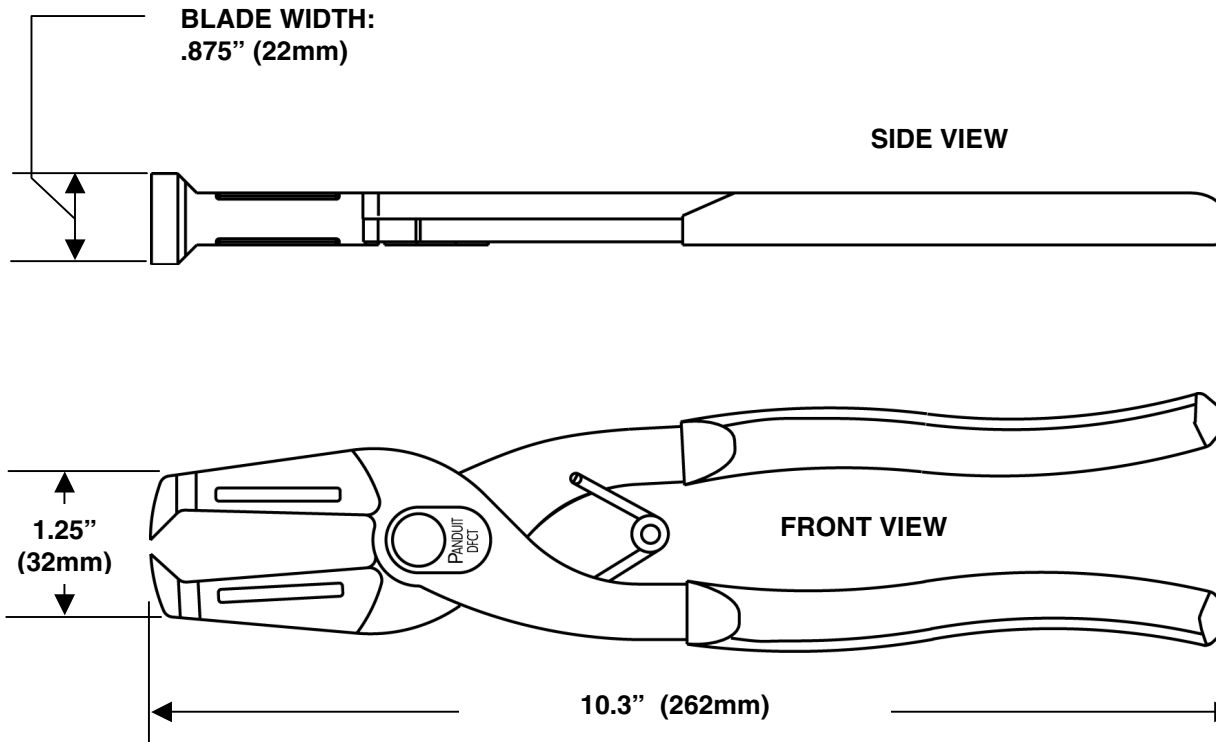
## DFCT



- An optional heavy duty tool used to easily remove duct fingers (for use with all wide slotted wiring duct).
- Easily cuts any *PANDUCT*® duct & cover

|                          |                                     |
|--------------------------|-------------------------------------|
| ▪ Part Number            | DFCT                                |
| ▪ RoHS Compliancy Status | RoHS directive is not applicable    |
| ▪ Part Description       | Hand-held duct finger cutting tool. |
| ▪ Pricing Description    | Duct Finger Cutting Tool            |
| ▪ Tool Type              | Cutting                             |
| ▪ Min. Order UOM         | PC                                  |
| ▪ Min. Order Qty.        | 1                                   |
| ▪ BOM Qty. (# of Pkgs.)  |                                     |

THIS COPY IS PROVIDED ON A RESTRICTED BASIS AND IS NOT TO BE USED IN ANY WAY DETRIMENTAL TO THE INTERESTS OF PANDUIT CORP.




**NOTES:**

- Cuts *PANDUCT* Wide Finger Wiring Duct
- Also removes NR1 Nylon Rivets
- Spring open handles
- Heavy duty steel construction

**WEIGHT:** 1.09 lb./ea.  
(495 gm./ea.)

**DIMENSIONS ARE FOR REFERENCE ONLY**

F:/wrkgrp/rvusers/engdocsnew/custdwgs/  
WD24740A01\_02 DFCT CD.doc

|     |         |     |       |   |      |    |      |   |                |  |                         |
|-----|---------|-----|-------|---|------|----|------|---|----------------|--|-------------------------|
|     |         |     |       |   |      |    |      |  |                | CORP. TINLEY PARK, ILLINOIS  |                         |
|     |         |     |       |   |      |    |      | <b>TOOL * DFCT</b>  |                |  |                         |
|     |         |     |       |   |      |    |      | <b>DUCT FINGER CUTTING TOOL</b>   |                |  |                         |
|     |         |     |       |   |      |    |      | UNLESS OTHERWISE SPECIFIED,<br>DIMENSIONAL TOLERANCES ARE:                            |                | UNLESS OTHERWISE<br>SPECIFIED, ALL DIMENSIONS<br>ARE GIVEN IN INCHES, THIRD<br>ANGLE PROJECTION. |                         |
| 02  | 3-23-05 | BLR | MBR   | ADD WIDE FINGER<br>DUCT; SIDE VIEW W/DIM. | 4153 | -- | DLWE | (.) ± ---   | (.xxx) ± ---   |  |                         |
| 01  | 6-30-03 | BLR | ABJ   | REMOVE DUCT TYPES                         | 4092 | -- | DLWE | DRAWN BY:<br>BLR  | MATL:<br>----- | SCALE<br>NONE  |                         |
| 00  | 6-25-03 | BLR | ABJ   | RELEASED                                  | 4092 | -- | DLWE | DATE:<br>6-25-03  |                | DRAWING NO.<br><b>WD24740A01</b>   |                         |
| REV | DATE    | BY  | CHK'D | DESCRIPTION                               | ECN  | -R | CUST | SUP   | CHK'D:<br>ABJ  |  | DWG<br><b>A</b><br>SIZE |