

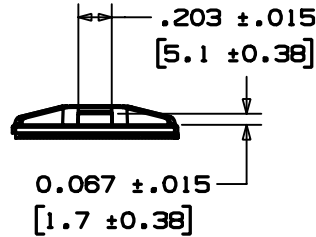
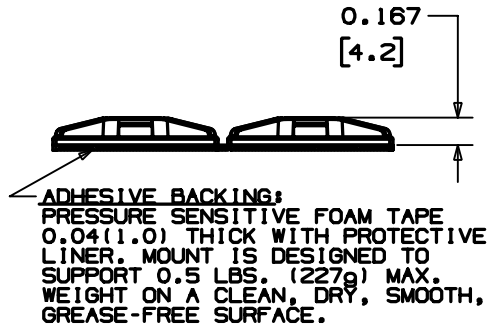
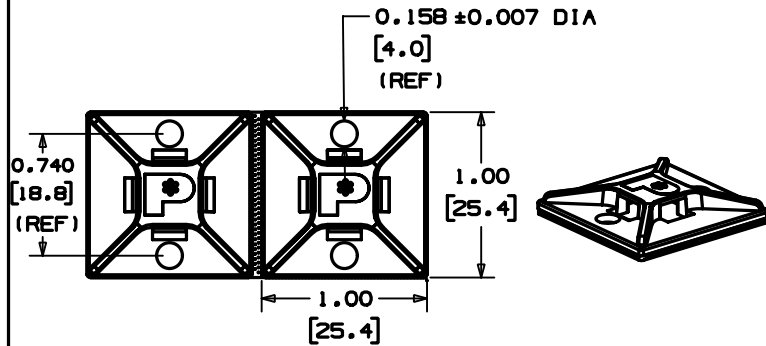
## ABM2S-A-C



- Superior adhesive for long term reliability
- 2-up mount configuration speeds liner removal and installation
- 4-way cable tie entry makes part orientation fast and easy
- Adhesive backing allows routing of wires and cables where mounting holes cannot be drilled
- Used with PANDUIT cable ties for a complete wire routing solution
- ‡ Cable Tie Cross Section Sizes: M = Miniature, I = Intermediate, S = Standard, HS = Heavy-Standard, LH = Light-Heavy, H = Heavy, HLM = Miniature *Tak-Ty*® Hook & Loop Cable Ties.

• Part Number	ABM2S-A-C
• RoHS Compliancy Status	Compliant
• Part Description	4-Way Adhesive Backed Cable Tie Mount
• Product Type	Cable Tie Mounts - Adhesive Backed
• Material	ABS
• Color	White
• UL Recognized	E136577
• Height (In.)	.16
• Height (mm)	4.2
• Length (In.)	1.00
• Length (mm)	25.4
• Width (In.)	1.00
• Width (mm)	25.4
• Adhesive Type	Rubber
• CE Compliant	CT-ACC1 / 10.96
• Environment	Indoors
• Max. Bundle Diameter (mm)	4.8
• Mounting Method	Adhesive Backed
• Pricing Description	Cable Tie Mount, Adh., 1"x1" (25.4mm x 25.4mm), WH
• Screw Size	#6 (M3)
• Screw Size Metric	M3
• Used With Cable Ties	M, I, S
• Min. Order UOM	PC
• Min. Order Qty.	100
• BOM Qty. (# of Pkgs.)	

THIS COPY IS PROVIDED ON A RESTRICTED BASIS AND IS NOT TO BE USED IN ANY WAY DETRIMENTAL TO THE INTERESTS OF PANDUIT CORP.



PANDUIT PART NUMBER*	USE WITH THESE CABLE TIE CROSS SECTIONS	WEIGHT lbs/100 pcs (g)/100 pcs
ABM2S-A	MINIATURE INTERMEDIATE STANDARD	0.23 (107)

NO WARRANTY, EXPRESSED OR IMPLIED, IS MADE BY PANDUIT WITH RESPECT TO ADHESIVE BOND PERFORMANCE. AMONG OTHER THINGS, THE CONDITIONS UNDER WHICH THESE MOUNTS MAY BE APPLIED ARE BEYOND PANDUIT'S CONTROL.

- TO APPLY MOUNTS:
1. REMOVE MOUNT FROM THE PROTECTIVE LINER.
  2. PLACE IN DESIRED LOCATION.
  3. APPLY PRESSURE TO TOP SURFACE OF MOUNT.

- NOTES:
- \* 1. SEE CURRENT PRICE SHEET FOR PART NUMBER SUFFIX DESIGNATION FOR PACKAGE SIZE.
  2. MOUNTS PROVIDED IN STRIPS OF TWO FOR EASY REMOVAL FROM LINER.
  3. MOUNT HAS CONTINUOUS OPERATION TEMPERATURE OF 120°F (49°C).

DIMENSIONS IN BRACKETS ARE METRIC [ mm ]

CAD FILENAME/LAYERS G00239CF\_PB\_ABM2S\_09

**PANDUIT**

CORP. TINLEY PARK, ILLINOIS

ABM2S-A  
ADHESIVE BACKED MOUNT

UNLESS OTHERWISE SPECIFIED,  
DIMENSIONAL TOLERANCES ARE:  
(.X) ±0.05 (1.3) (.XXX) ±0.010 (0.25)  
(.XX) ±0.02 (0.5) ANGLES ± 5°

UNLESS OTHERWISE SPECIFIED,  
ALL DIMENSIONS ARE GIVEN  
IN INCHES, THIRD ANGLE PROJECTION.

REV	DATE	BY	CHK	DESCRIPTION	ECN	R	CUST	SUP
9	3/3/05	JAD		REMOVE ABM2S	G80239CF	9		
8	7/8/03	JAD		CHANGED TOLERANCE ON .203 AND .087 DIMENSION FROM .010 (.25) TO .015 (.38)	G80239CF	8		
7	5/27/03	JAD		CORRECTED WINDOW WIDTH DIMENSION	G80239CF	7		

DRAWN BY MJK

MAT'L:

SCALE NONE

DATE 11/3/04

ABS

DRAWING NO.

G80239CF

DWG  
SIZE  
A