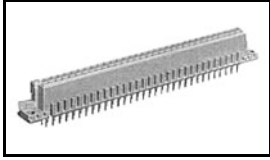


5650861-5 Product Details

[Share](#) [Print](#) [Email](#)




5650861-5

TE Internal Number: 5650861-5

 Active

[View 3D PDF](#)

Eurocard Type B

 Always EU RoHS/ELV Compliant
(Statement of Compliance)

Product Highlights:

- Connector
- Connector Assembly
- Connector Style = Receptacle
- Contact Type = Socket
- 64 Positions

[View all Features](#)

Quick Links

- ▶ [Pricing & Availability](#)
- ▶ [Search for Tooling](#)
- ▶ [View Mating Products \(2\)](#)
- ▶ [Product Feature Selector](#)
- ▶ [Contact Us About This Product](#)

[Add to My Part List](#)

[Request Sample](#)

[Find Similar Products](#)

[Buy Product](#)

Documentation & Additional Information

Product Drawings:

- [ASSEMBLY, RECEPTACLE, EUROCARD, TYPE B, LEAD-FREE, 6...](#) (PDF, English)

Catalog Pages/Data Sheets:

- None Available

Product Specifications:

- None Available

Application Specifications:

- [Eurocard Connectors Types B,C,M,Q,R, & Enhanced Typ...](#) (PDF, English)

Instruction Sheets:

- None Available

CAD Files: (CAD Format & Compression Information)

- [2D Drawing](#) (DXF, Version 0)
- [3D Model](#) (IGES, Version 0)
- [3D Model](#) (STEP, Version 0)

[List all Documents](#)

Additional Information:

- [Product Information](#)
- [Product Line Information](#)

Related Products:

- [Tooling](#)
- [Mating Products \(2\)](#)

Product Features (Please use the Product Drawing for all design activity)

Product Type Features:

- Product Type = Connector
- Connector Type = Connector Assembly
- [PCB Mounting Orientation](#) = Vertical
- [Make First / Break Last](#) = No
- PCB Mount Alignment = Without
- Termination Method to PC Board = Through Hole - Solder
- Sealed = No
- UL File Number = E28476
- CSA File Number = LR 7189

Electrical Characteristics:

- Contact - Rated Current (A) = 1.5
- Operating Voltage Reference = AC
- Operating Voltage (VAC) = 250
- Operating Voltage (VDC) = 250

Housing Features:

- Connector Style = Receptacle
- Centerline (mm [in]) = 2.54 [0.100]
- Mating Alignment = With
- Mating Alignment Type = Polarization
- UL Flammability Rating = UL 94V-0

Configuration Features:

- [Number of Positions](#) = 64
- Number of Columns = 32
- Custom Configurable = No
- Number of Rows = 2

Industry Standards:

- [RoHS/ELV Compliance](#) = RoHS compliant, ELV compliant
- [Lead Free Solder Processes](#) = Wave solder capable

Termination Features:

- Tail Length (mm [in]) = 4.57 [0.18]
- Tail Orientation = In-line

Dimensions:

- PCB Thickness, Recommended (mm [in]) = 1.57 – 3.175 [0.062 – 0.125]
- Length (X-Axis) (mm [in]) = 93.98 [3.700]
- Width (Z-Axis) (mm [in]) = 8.05 [0.317]
- Profile Height (Y-Axis) (mm [in]) = 11.51 [0.453]

Body Features:

- Row-to-Row Spacing (mm [in]) = 2.54 [0.100]
- Underplate Material Thickness (μm [μin]) = 1.27 [50.000]
- Mating Retention = Without

Contact Features:

- Contact Type = Socket
- Contact Plating, Termination Area, Material = Tin
- Contact Base Material = Phosphor Bronze
- Contact Design = Dual Beam
- Contact Plating, Mating Area, Material = Gold or Palladium Nickel or Performance Based
- Contact Plating, Mating Area, Thickness (μm [μin]) = 0.76 [29.92]
- Underplate Material = Nickel
- Contact Plating, Termination Area, Thickness (μm [μin]) = 2.54 [100]

to 240°C, Wave solder capable to 260°C, Wave solder capable to 265°C

- RoHS/ELV Compliance History = Always was RoHS compliant
- Approved Standards = UL, CSA
- UL Rating = Recognized
- CSA Certified = Yes

Environmental:

- Operating Temperature ($^{\circ}\text{C}$ [$^{\circ}\text{F}$]) = -55 – +125 [-67 – +257]

Conditions for Usage:

- Applies To = Printed Circuit Board
- Board-to-Board Configuration = Co-Planar, Co-Planar/Right Angle, Right Angle

Operation/Application:

- Application Use = Board-to-Board
- **Industry Application** = Standard
- Contact Transmits (Typical Application) = Signal (Data)

Packaging Features:

- Packaging Method = Tray

Other:

- Industry = Not Specified
- Brand = AMP

Corporate Information

[About TE](#)
[Investors](#)
[News Room](#)
[Supplier Portal](#)
[Careers](#)
[Terms & Conditions](#)
[Privacy Policy](#)

Quick Links

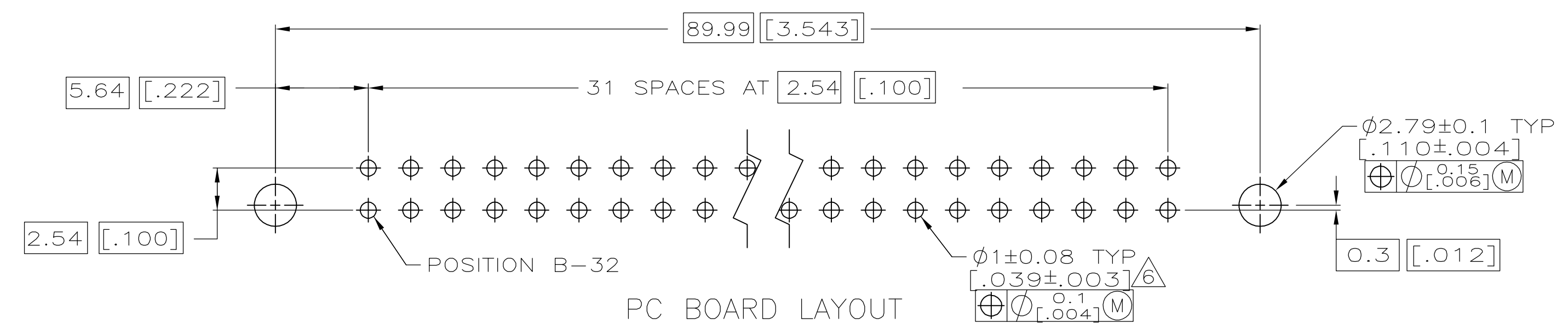
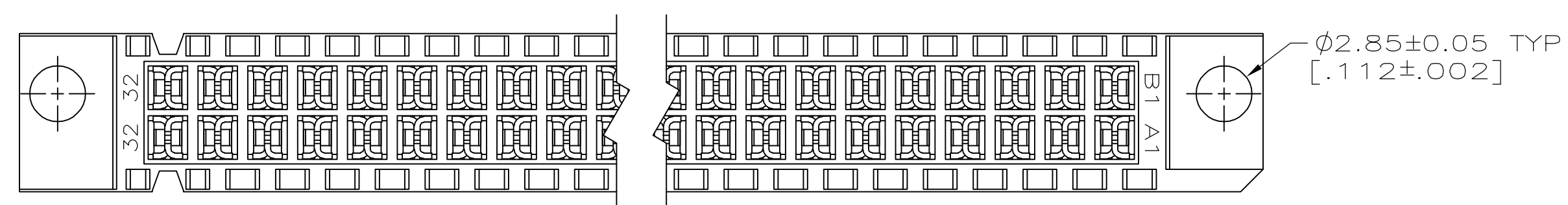
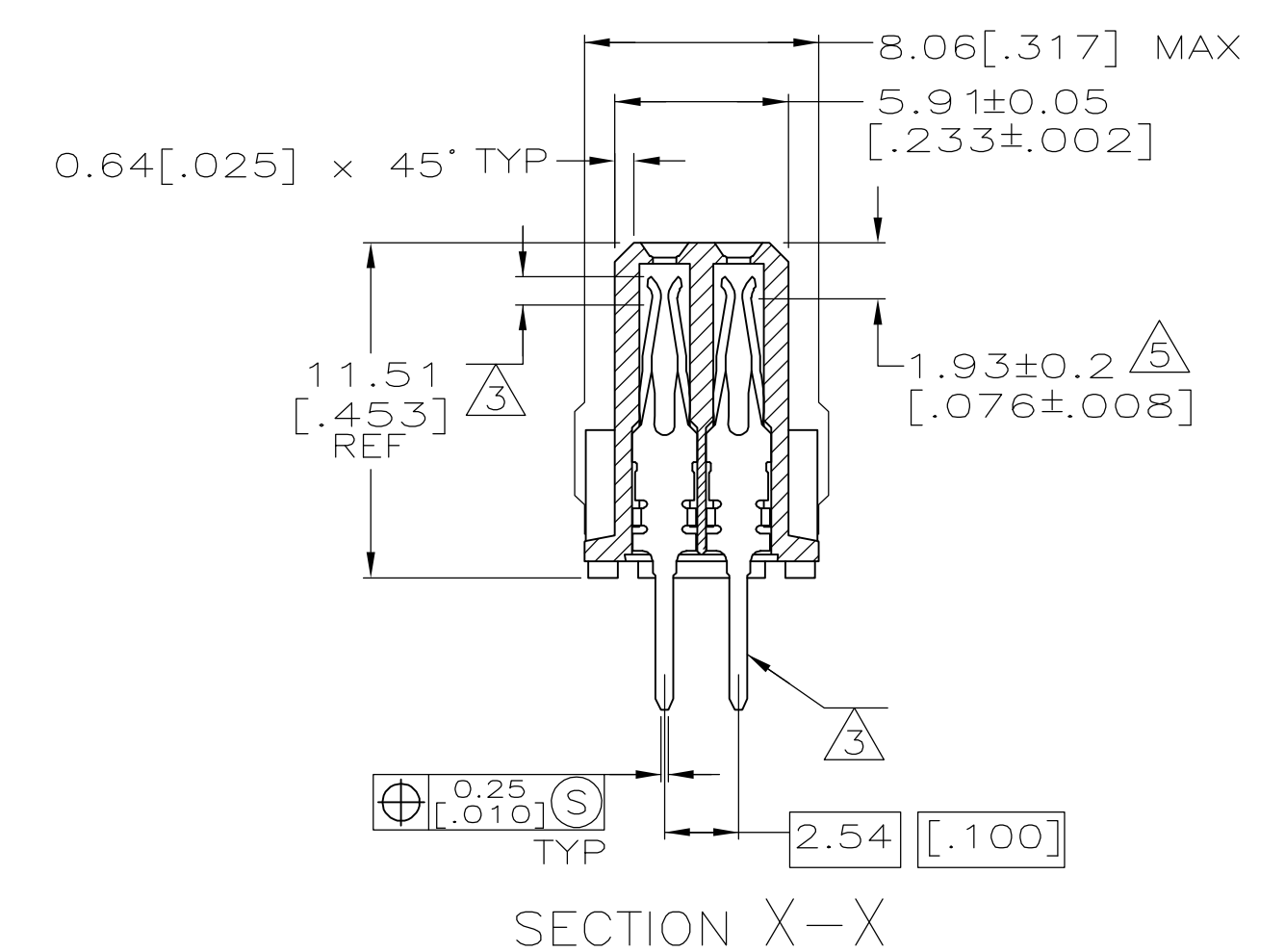
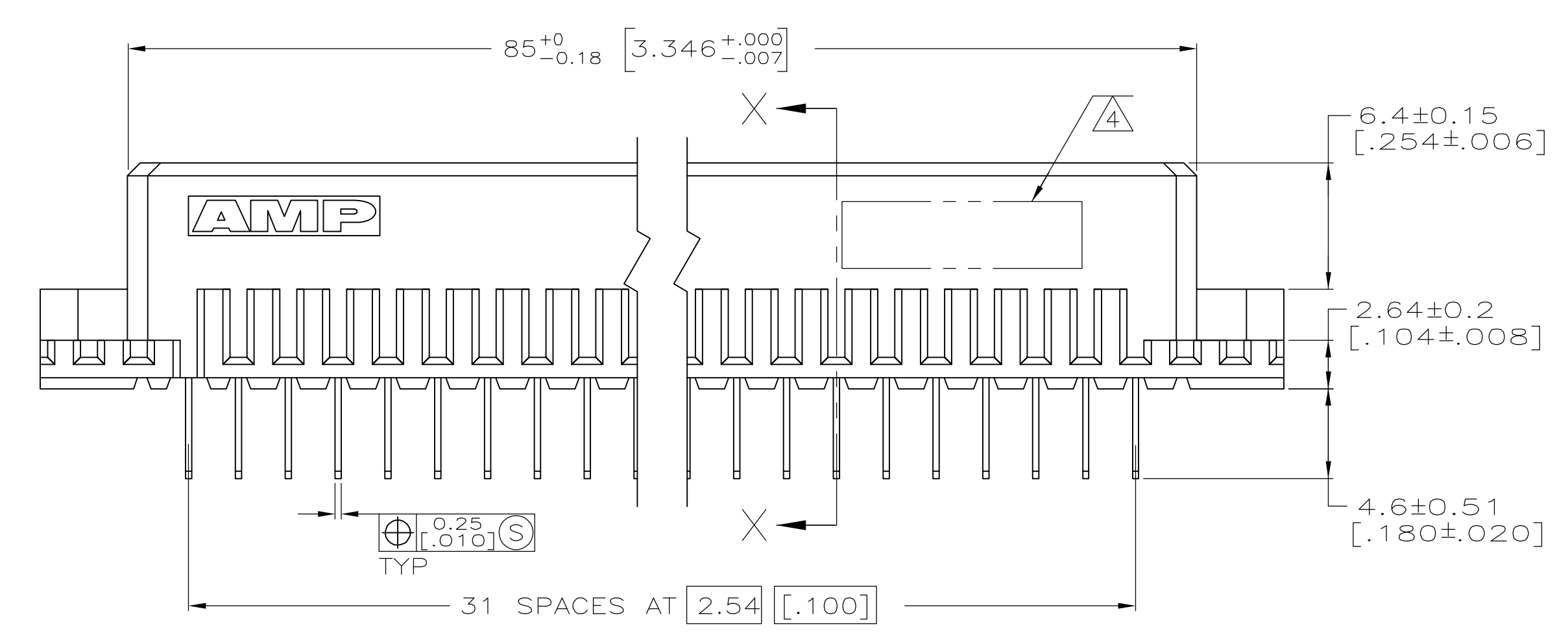
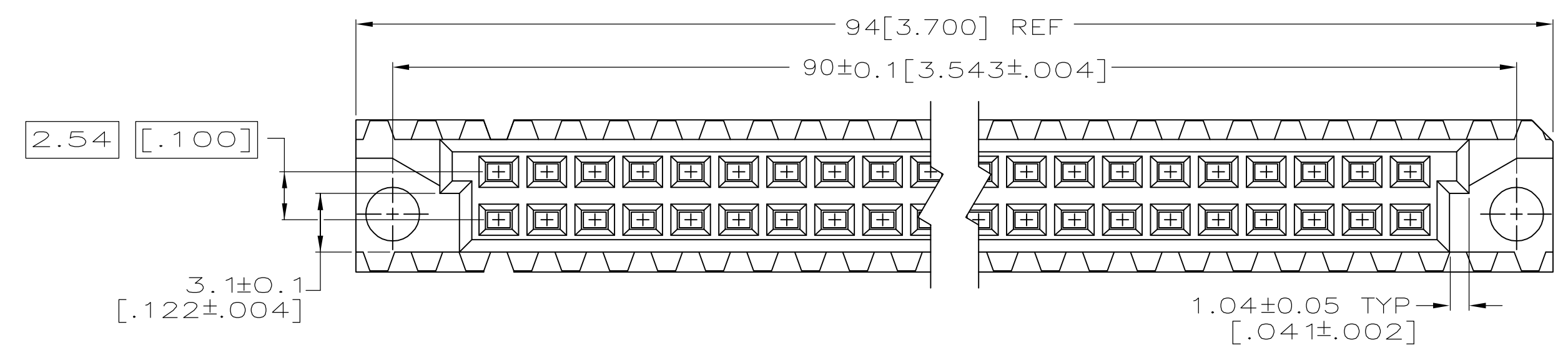
[Distributor Inventory](#)
[Product Cross Reference](#)
[Documents & Drawings](#)
[Product Compliance Support Center](#)
[Site Map](#)

Customer Support

[Email or Chat With Us](#)
[Find a Phone Number](#)
[Knowledge Base](#)
[Manage Your Account](#)

Keep Me Informed

- ① HOUSING MATERIAL: GLASS-FILLED POLYMER.
- ② CONTACT MATERIAL: COPPER ALLOY.
- ③ CONTACT FINISH: DIN 41612 CLASS 2 IN CONTACT AREA. TIN PLATE ON POSTS.
- ④ PART NUMBER, DATE CODE IDENTIFICATION, CSA LOGO IN THIS APPROXIMATE AREA, ON REVERSE SIDE.
- ⑤ CONTACT POINT.
- ⑥ RECOMMENDED HOLE SIZE FOR MANUAL APPLICATION OF CONNECTOR ONTO PC BOARD.



1 THRU 32	X	X	64	5650861-5
1 THRU 32	X	X	64	5650861-4
POSITIONS LOADED	B	A	NO. OF LOADED POSITION	ASSY PART NUMBER
	ROWS LOADED			

THIS DRAWING IS A CONTROLLED DOCUMENT.		DWG J. POLIGNONE	03JUN05	Tyco Electronics Corporation Harrisburg, Pa 17105-3608
DIMENSIONS: mm [INCHES]		CHK A. SHARPE	03JUN05	
TOLERANCES UNLESS OTHERWISE SPECIFIED:		APVD A. SHARPE	03JUN05	NAME ASSEMBLY, RECEPTACLE, EUROCARD, TYPE B, LEAD-FREE, 64 POSITION, 4.57 [.180] SOLDER POSTS
0 PLC ± - 1 PLC ± - 2 PLC ± - 3 PLC ± 0.1 [.005] 4 PLC ± - ANGLES ± -		PRODUCT SPEC	APPLICATION SPEC	
MATERIAL	FINISH	SIZE	SCALE	RESTRICTED TO
		A1 00779	C=5650861	
CUSTOMER DRAWING		SCALE	SHEET	REV
		4:1	1 OF 1	0